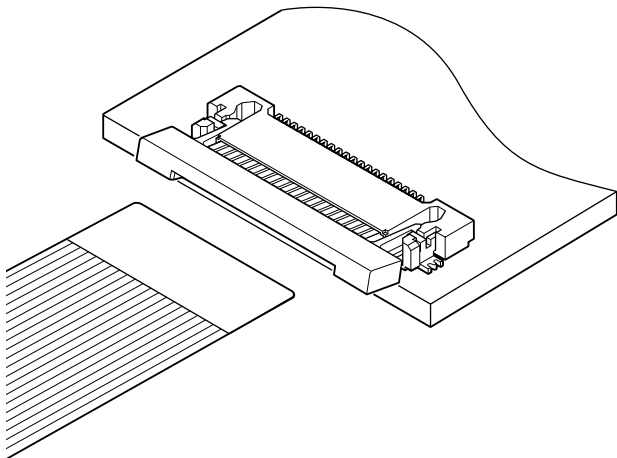


# FSZ CONNECTOR

Connectors for FFC and FPC



**Space saving ZIF Connector for 0.3mm thickness FPC ZIF type is superior in durability and in preventing wearing.**



## Features

### • Slim housing

This connector has a mounting height of 1.2mm MAX, yet features a resin insulated bottom which allows a circuit pattern layout underneath the connector.

### • Space saving design

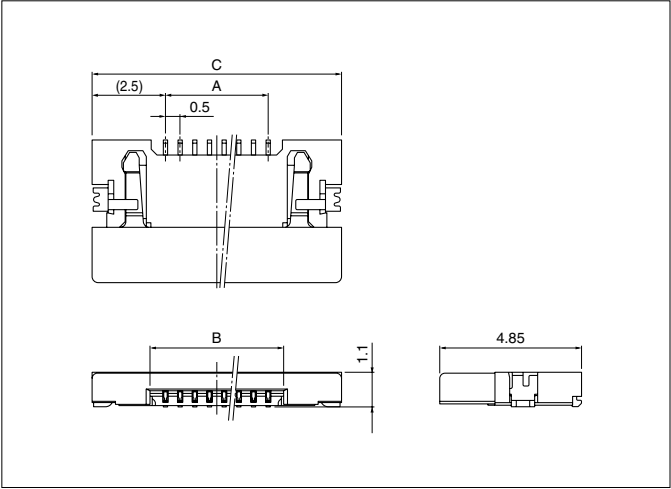
It is designed for use in small mobile equipment which requires high-density mounting.

## Specifications

- Current rating: 0.5A AC, DC
  - Voltage rating: 50V AC, DC
  - Temperature range: -25°C to +85°C  
(including temperature rise in applying electrical current)
  - Contact resistance: Initial value/40m Ω max.  
After environmental testing/20m Ω max.  
(variation from initial value)
  - Insulation resistance: 500M Ω min.
  - Withstanding voltage: 200V AC/minute
  - Applicable FFC/FPC: Conductor pitch/0.5mm  
Conductor width/0.35mm  
Mating part thickness/0.3±0.05mm
- \* RoHS compliant products are published.  
\* Refer to "General Instruction and Notice when using Terminals and Connectors" at the end of this catalog.  
\* Contact JST for details.

# FSZ CONNECTOR

## Connector



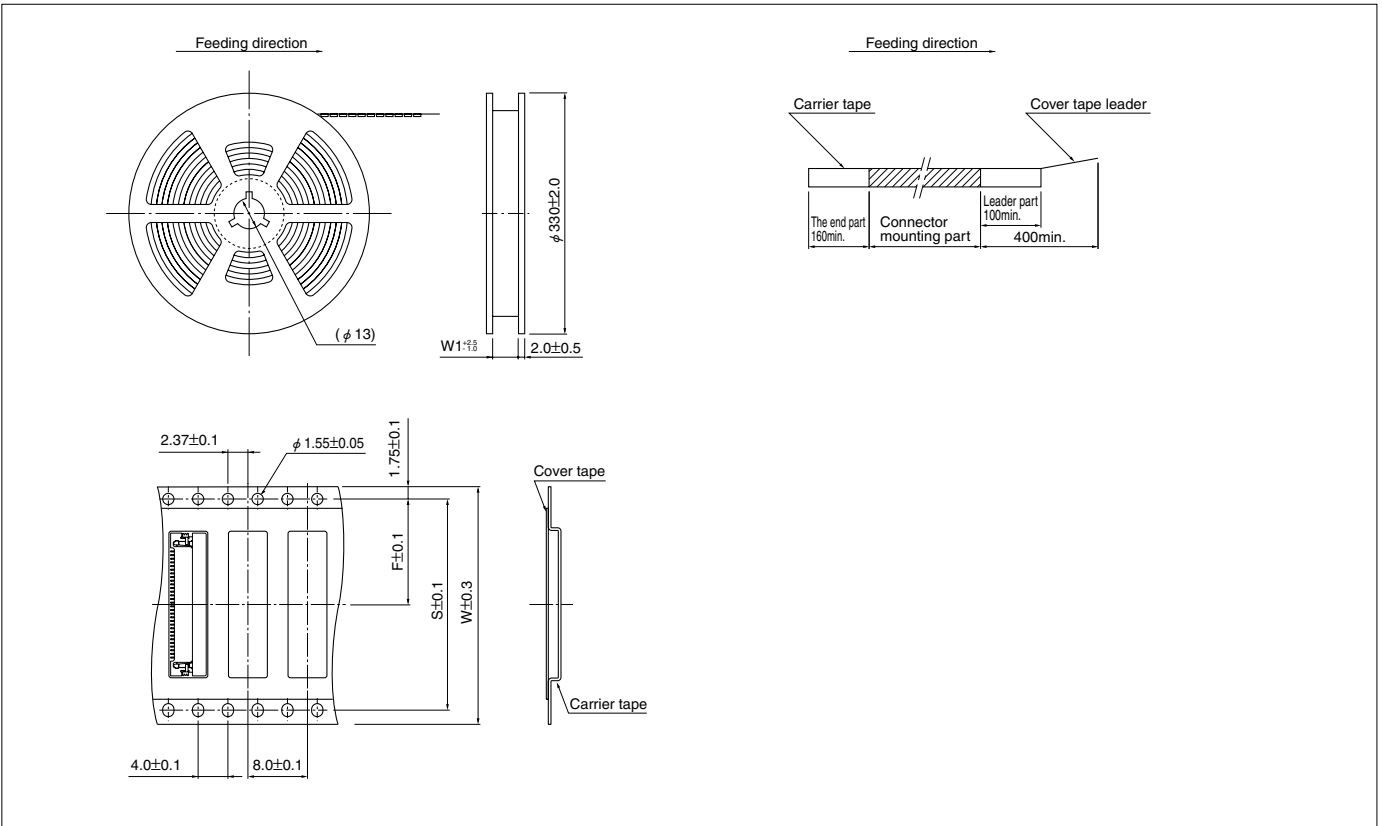
Circuits	Dimensions(mm)			Q'ty/ reel
	A	B	C	
<b>34FSZ-RSM1-G-TB</b>	16.5	17.55	21.5	4,000

### Material and Finish

Contact: Copper alloy, nickel-undercoated, gold-plated  
 Housing: LCP, UL94V-0, natural  
 Solder tab: Copper alloy, copper-undercoated, tin-plated (reflow treatment)  
 Cover: PA 9T, UL94V-0, black

**RoHS compliance** This product displays (LF)(SN) on a label.  
 This products listed above are supplied on embossed-tape.

## Taping specifications

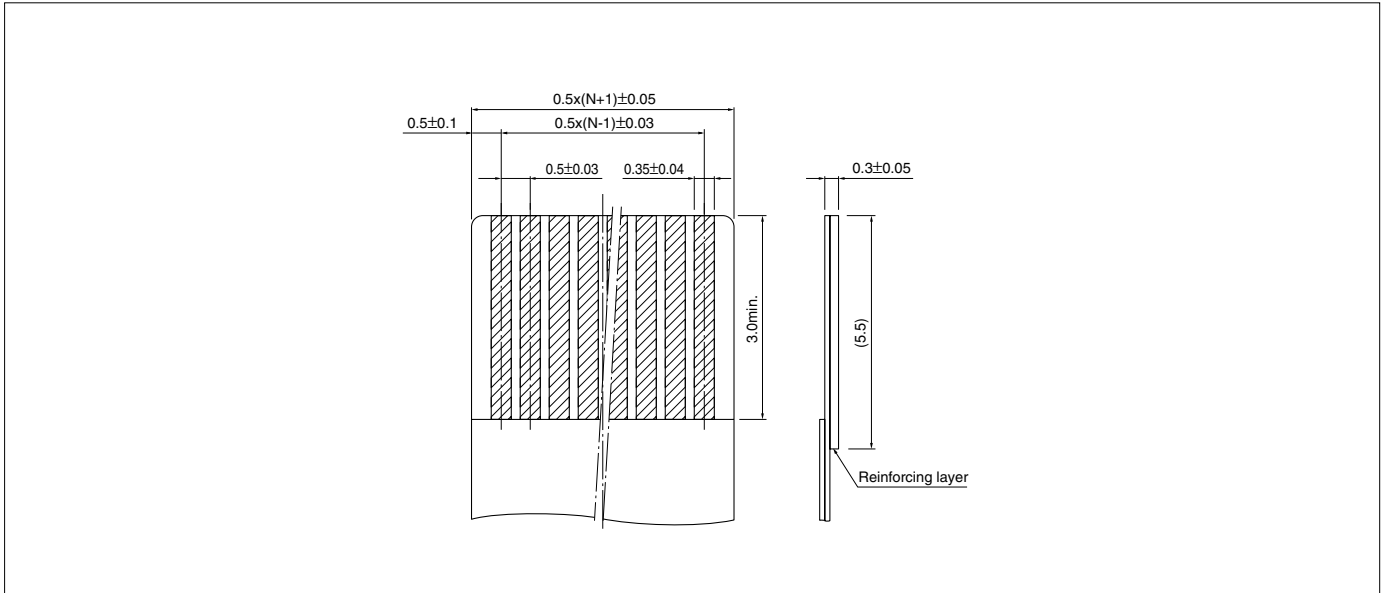


Circuits	Taping dimensions(mm)			Reel dimensions (mm)	Q'ty/ reel
	F	S	W	W1	
34	14.2	28.4	32.0	33.5	4,000

Note: 1. Specifications conform to JIS C 0806. The tape width, connector loading recess square hole dimensions, etc. are determined by the number of circuits and external shape of the connector to be loaded.  
 2. Specifications are subject to change without prior notice.

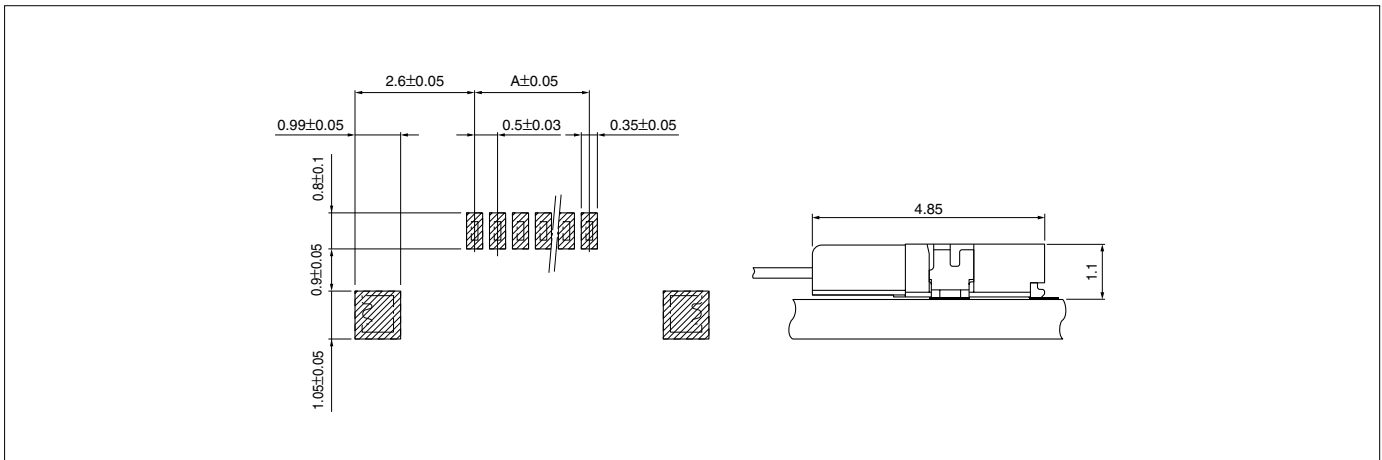
# FSZ CONNECTOR

## Lead section dimensions of FFC and FPC



Note: N --- Number of circuits

## PC board layout (viewed from component side) and Assembly layout



Note: 1. Tolerances are non-cumulative:  $\pm 0.05 \text{ mm}$  for all centers.  
2. The dimensions above should serve as a guideline. Contact JST for details.