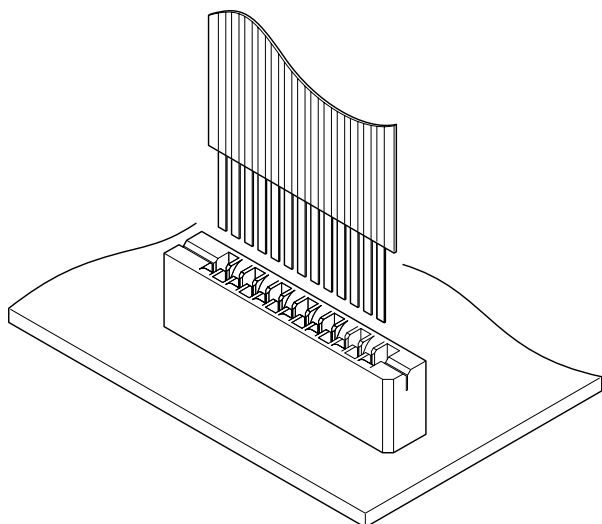


FUN CONNECTOR

Connectors for FFC



This board-in type connector provides direct soldering connection between the conductor part of the 1.0mm pitch FFC and the PC board.



Features

• **Smaller pitch type**

Adoption of the FU connector (1.25mm pitch) structure leads to the realization of a smaller pitch board-in type connector (1.0mm pitch).

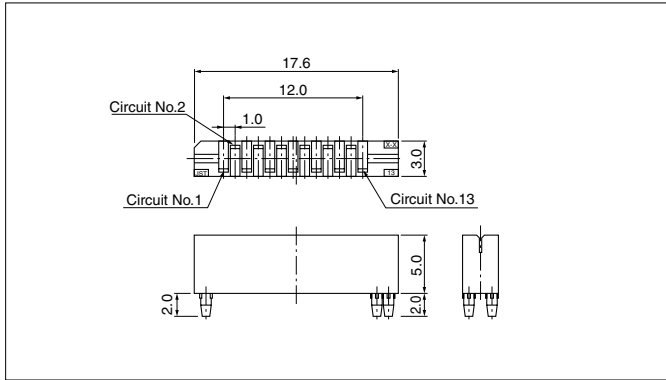
• **Lower assembly costs**

Wiring the FFC directory to the PC board will reduce assembly costs.

Specifications

- Temperature range: -25°C to +85°C
(including temperature rise in applying electrical current)
- Applicable FFC: Conductor pitch/1.0mm
Conductor width/0.6mm
Mating part thickness/0.10–0.05mm
- Applicable PC board thickness: 1.6mm
- * RoHS compliant products are published.
- * Refer to "General Instruction and Notice when using Terminals and Connectors" at the end of this catalog.
- * Contact JST for details.

Connector

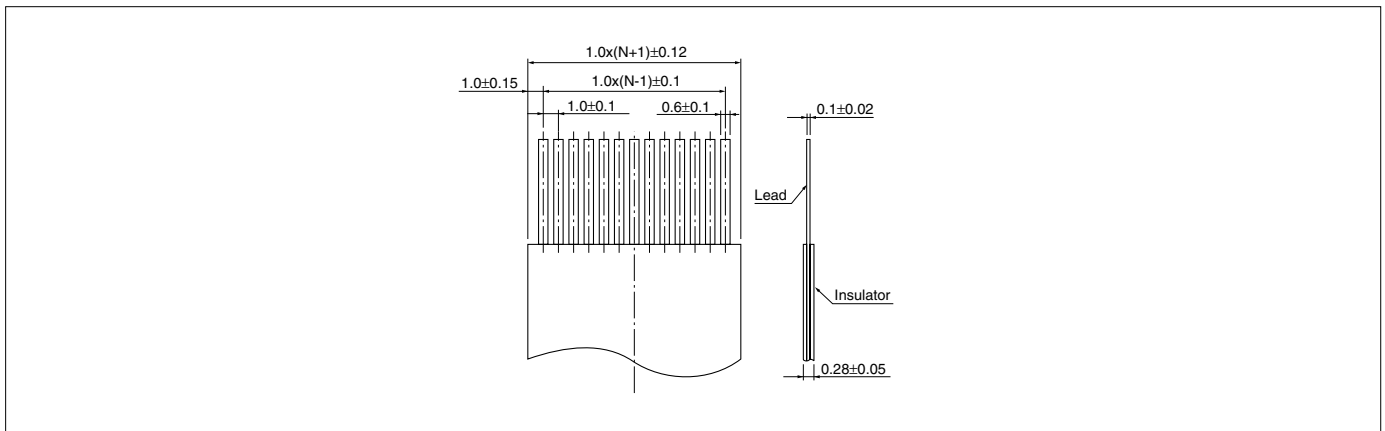


Circuits	Model No.	Qty / box
13	13FUN-B-SV	1,000

Material and Finish
PA 66, UL94V-0, natural (white)

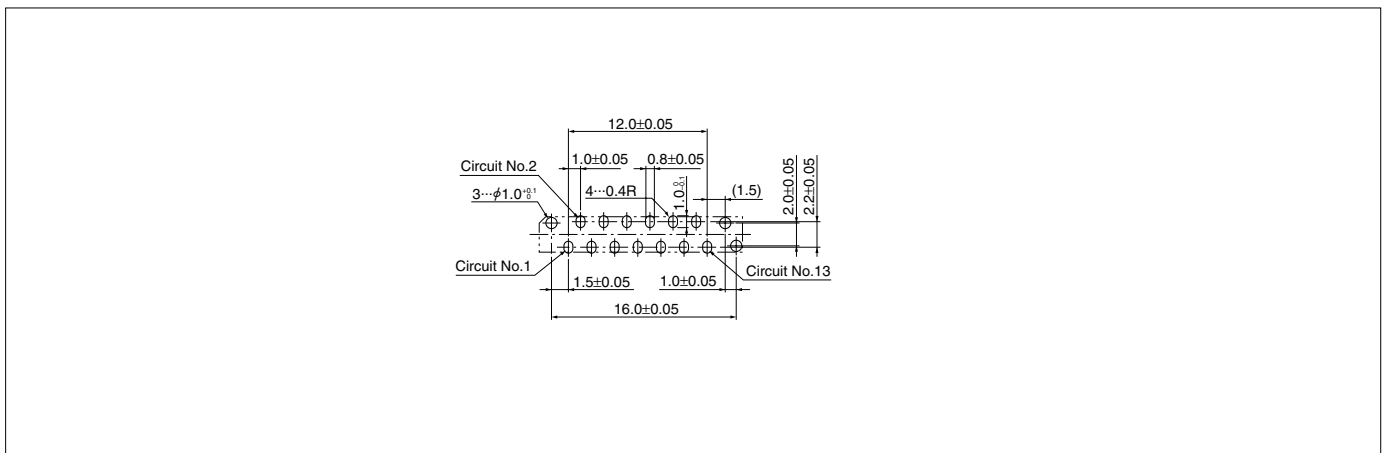
RoHS compliance

Lead section dimensions of FFC



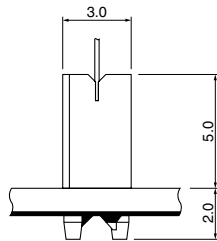
Note: N --- Number of circuits

PC board layout



FUN CONNECTOR

Assembly layout



Assembly procedure

