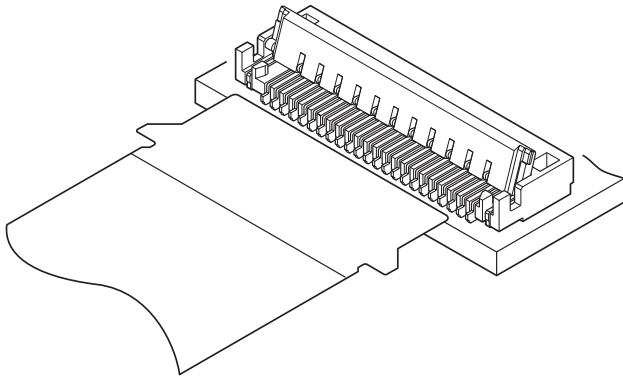


FVW CONNECTOR



0.2mm pitch/Connectors for FPC



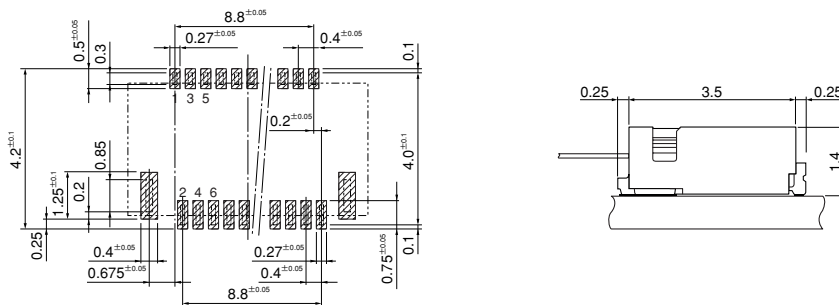
In addition to achieving space saving and low profile features demanded by the market, this connector also realizes smaller pitch (0.2mm pitch) up to an extreme situation and adopts double-sided FPC.

- Adoption of ZIF structure
- Self-lock mechanism enables the cover to close by one-touch operation
- Double-sided FPC
- FPC with protrusions

Specifications

- Current rating: 0.3A AC, DC
- Voltage rating: 50V AC, DC
- Temperature range: -25°C to +85°C
(including temperature rise in applying electrical current)
- Contact resistance: Initial value/50m Ω max.
After environmental testing/50m Ω max.
(variation from initial value)
- Insulation resistance: 50M Ω min.
- Withstanding voltage: 200V AC/minute
- * RoHS compliant products are published.
- * Contact JST for thickness of applicable Double-sided FPC.
- * Refer to "General Instruction and Notice when using Terminals and Connectors" at the end of this catalog.
- * Contact JST for details.

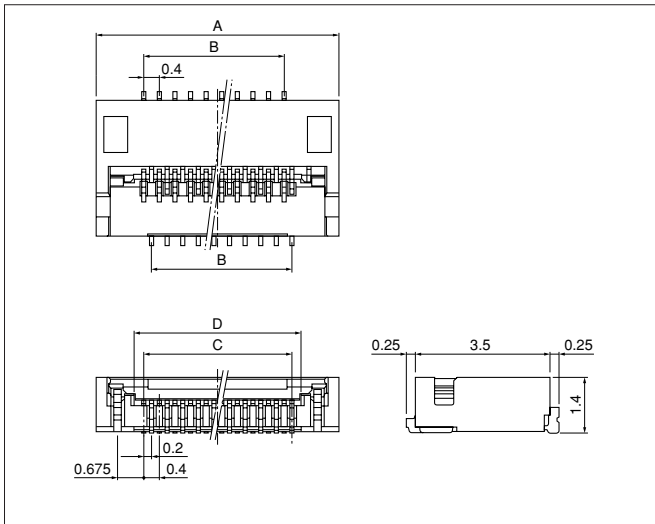
PC board layout (viewed from component side) and Assembly layout



Note: 1. Tolerances are non-cumulative: ±0.05mm for all centers.
2. The dimensions above should serve as a guideline. Contact JST for details.

FWW CONNECTOR

Connector



Circuits	Model No.	Dimensions (mm)				Q'ty / reel
		A	B	C	D	
46	46FVW-SM1-GAN-TF	11.45	8.8	9.0	9.5	2,500

Material and Finish

Contact: Copper alloy, nickel-undercoated, gold-plated (nickel-stripe)

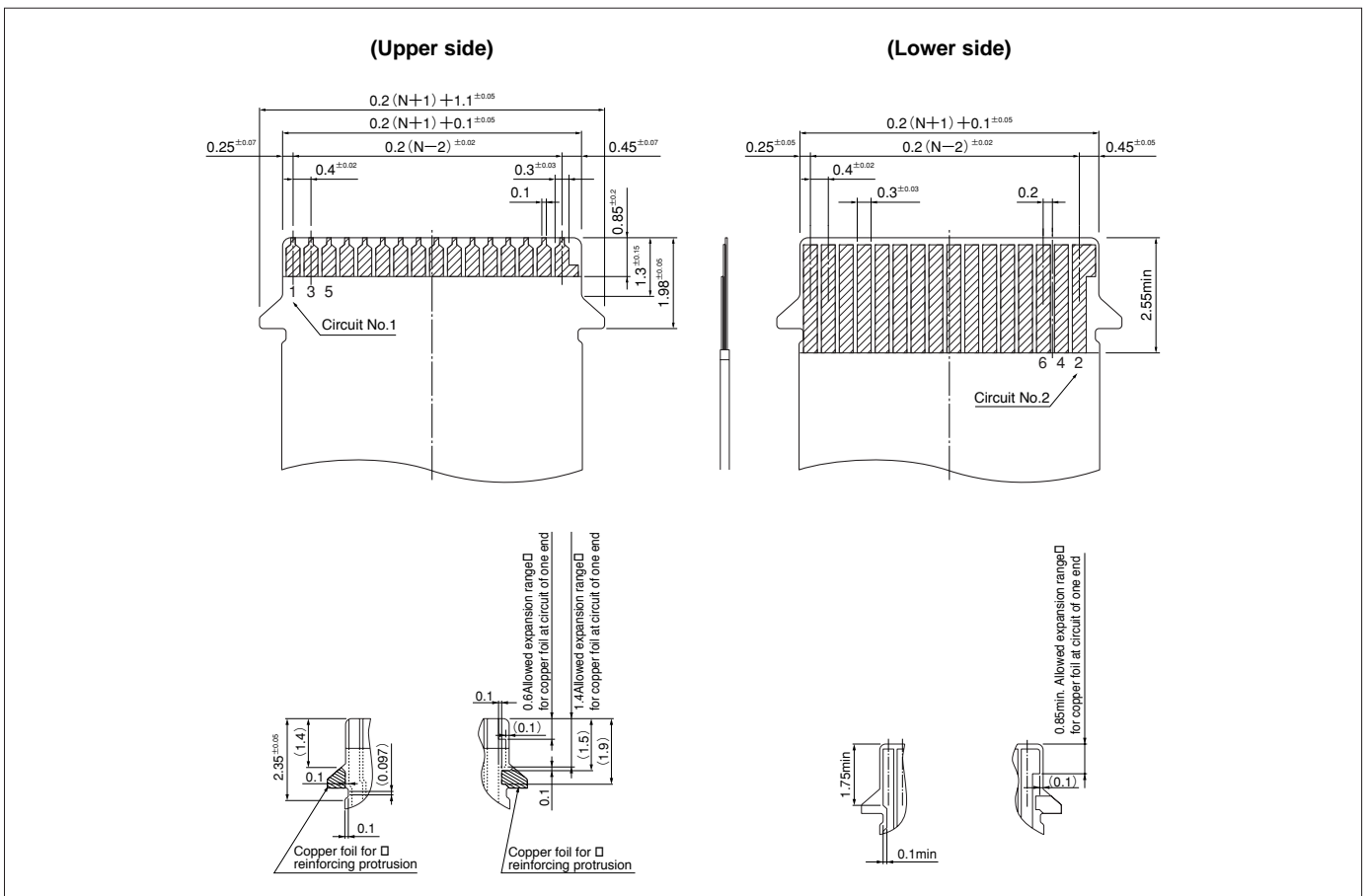
Housing: LCP, UL94V-0

Solder tab: Copper alloy, copper-undercoated, tin-plated (reflow treatment)

Cover: PPS, UL94V-0

RoHS compliance This product displays (LF)(SN) on a label.
This products listed above are supplied on embossed-tape.

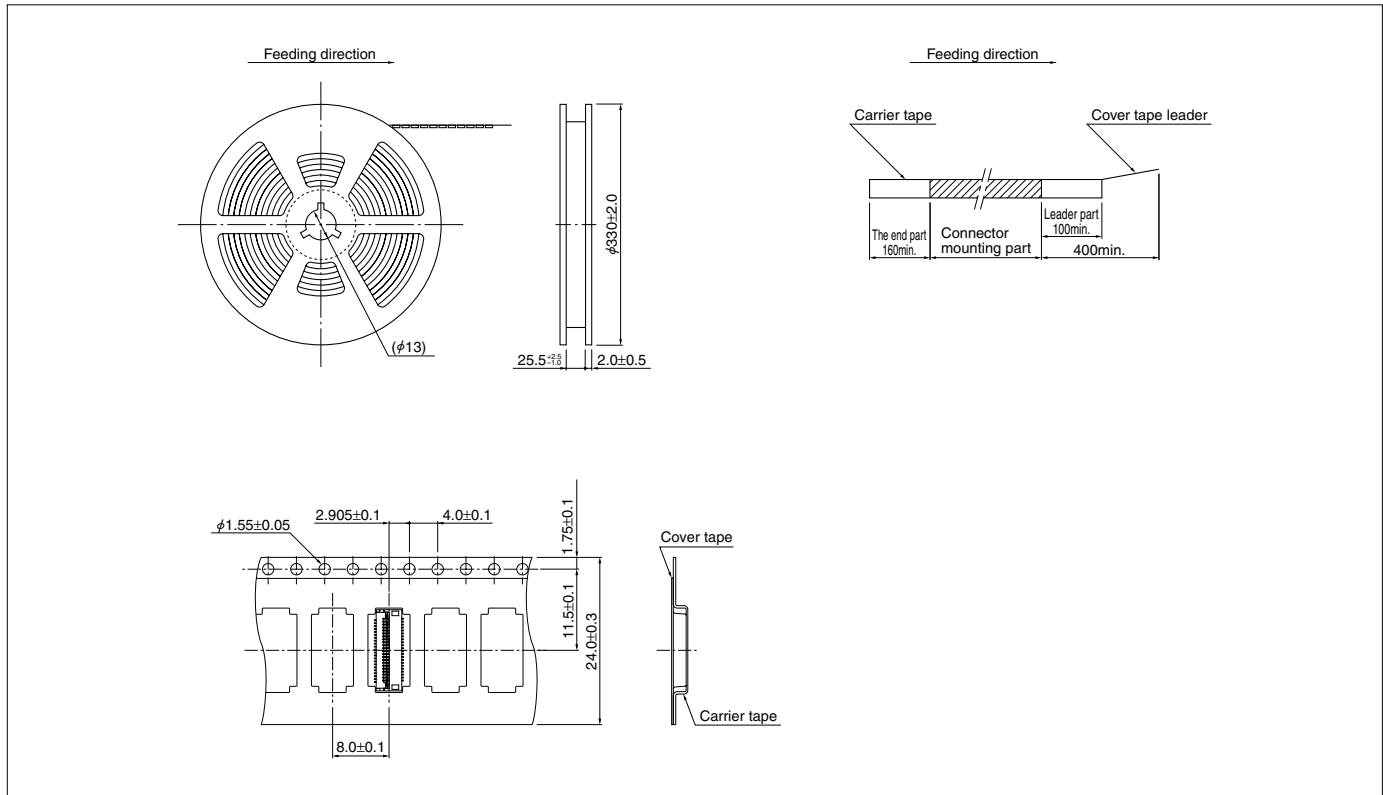
Lead section dimensions of FPC



Note: N --- Number of circuits

FVW CONNECTOR

Taping specifications



Note: 1. Specifications conform to JIS C 0806. The tape width, connector loading recess square hole dimensions, etc. are determined by the number of circuits and external shape of the connector to be loaded.
 2. Specifications are subject to change without prior notice.