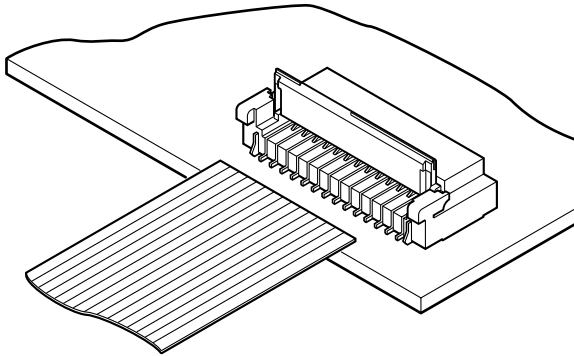




FX CONNECTOR

0.3mm pitch/Connectors for FPC



Non-ZIF type connector for FPC's, with only 2.25mm height when mounted on the PC board. Temporary retention mechanism and flip-lock device provide good operational efficiency.

- Good for high density mounting
- Heat resisting design suitable for surface mounting
- Easy mounting operation
- Embossed taping for automatic mounting

Specifications

- Current rating: 0.2A AC, DC
- Voltage rating: 50V AC, DC
- Temperature range: -25°C to +85°C
(including temperature rise in applying electrical current)
- Contact resistance: Initial value/50m Ω max.
After environmental testing/50m Ω max.
(variation from initial value)
- Insulation resistance: 50M Ω min.
- Withstanding voltage: 200V AC/minute
- Applicable FPC: Conductor pitch/0.3mm
<0.6mm pitch staggered>
Conductor width/0.3mm
Mating part thickness/0.2±0.03mm

Note: FPC to be actually used should be checked for applicability.

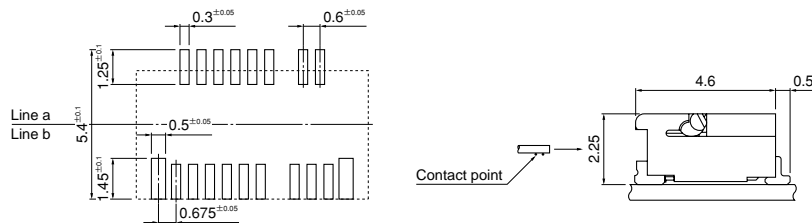
- * RoHS compliant products are published.
- * Refer to "General Instruction and Notice when using Terminals and Connectors" at the end of this catalog.
- * Contact JST for details.

Standards

Recognized E60389

Certified LR20812

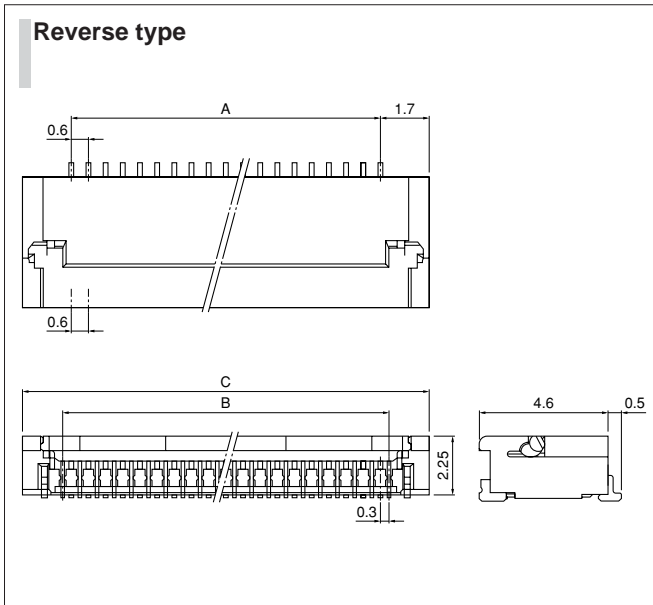
PC board layout (viewed from component side) and Assembly layout



Note: 1. Tolerances are non-cumulative: ±0.05mm for all centers.
2. The dimensions above should serve as a guideline. Contact JST for details.

Connector

Reverse type



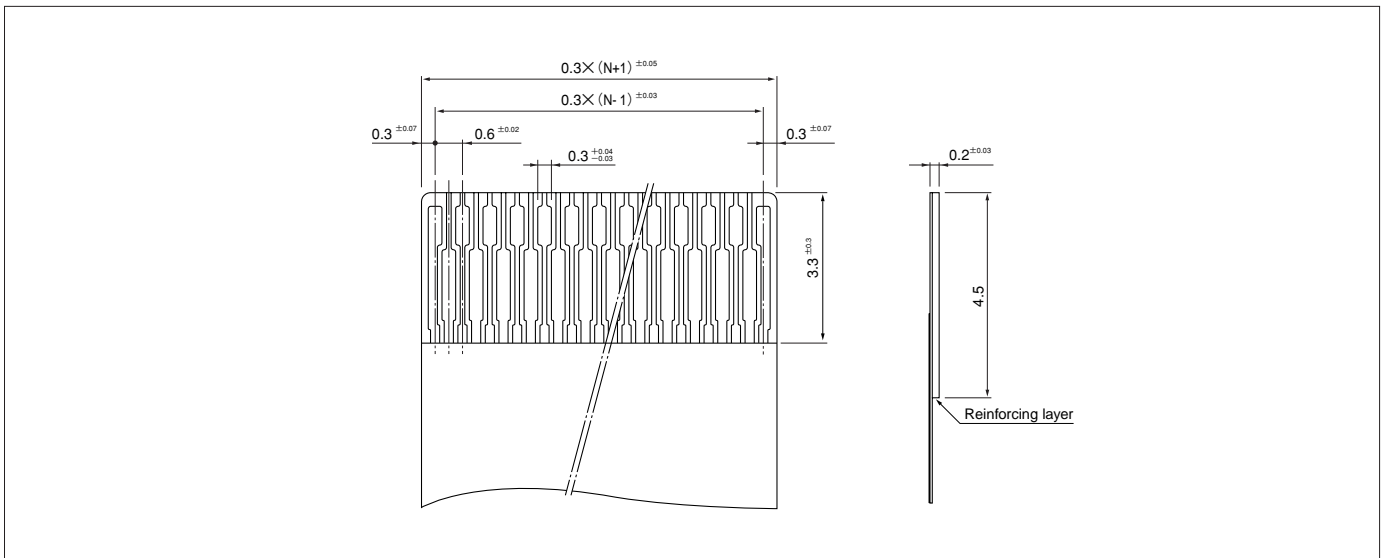
Circuits	Model No.	Dimensions (mm)			Q'ty / reel
		A	B	C	
15	15FX-RSM1-S-TB	3.6	4.2	7.0	3,000
21	21FX-RSM1-S-TB	5.4	6.0	8.8	3,000
23	23FX-RSM1-S-TB	6.0	6.6	9.4	3,000
25	25FX-RSM1-S-TB	6.6	7.2	10.0	3,000
27	27FX-RSM1-S-TB	7.2	7.8	10.6	3,000
33	33FX-RSM1-S-TB	9.0	9.6	12.4	3,000
39	39FX-RSM1-S-TB	10.8	11.4	14.2	3,000
45	45FX-RSM1-S-TB(12)	12.6	13.2	16.0	2,500
51	51FX-RSM1-S-TB	14.4	15.0	17.8	3,000
57	57FX-RSM1-S-TB	16.2	16.8	19.6	3,000

Material and Finish

Contact: Copper alloy, copper-undercoated, tin-plated (reflow treatment)
Housing: LCP, UL94V-0
Solder tab: Copper alloy, copper-undercoated, tin-plated (reflow treatment)
Cover: Heat-resisting polyamide, UL94V-0

RoHS compliance This product displays (LF)(SN) on a label.
Note: Contact JST for gold-plated products.

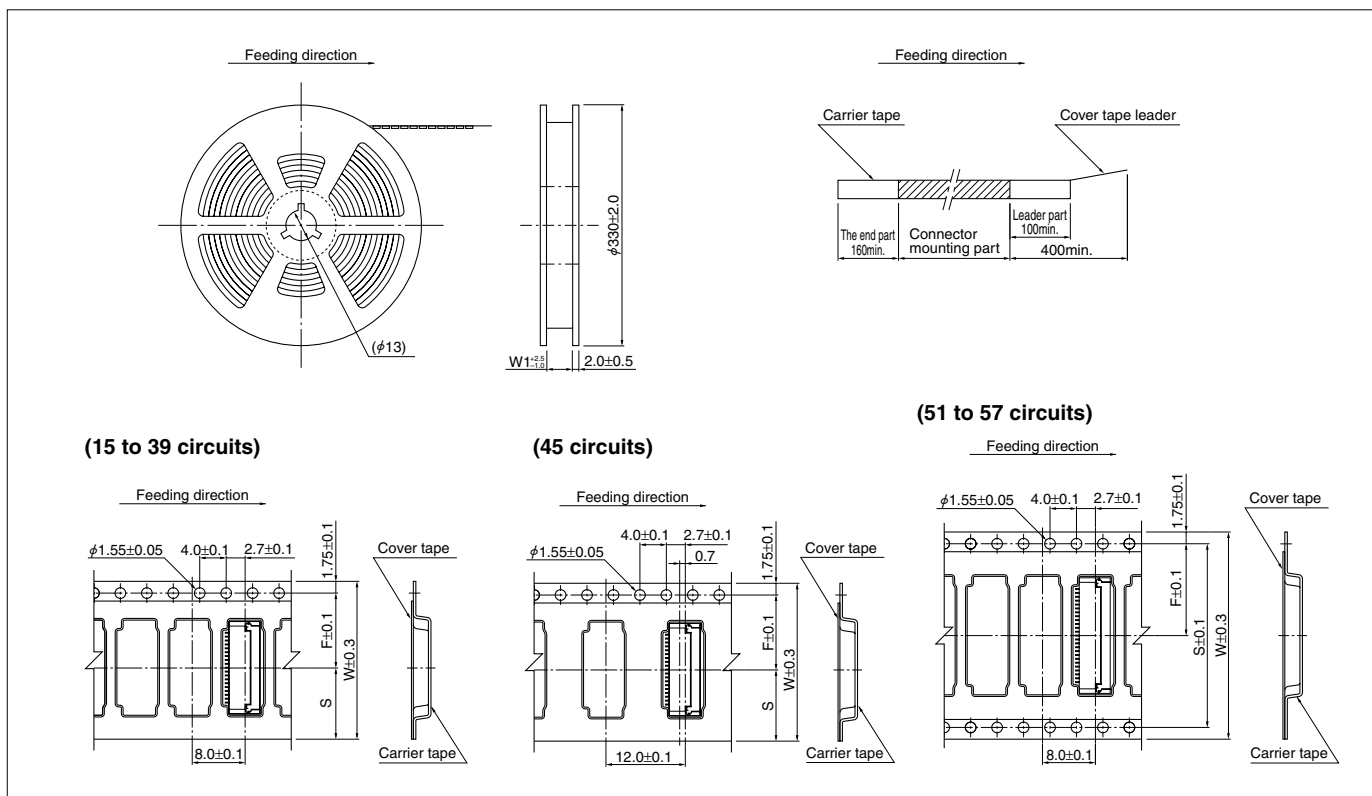
Lead section dimensions of FPC



Note: N---Number of circuits

FX CONNECTOR

Taping specifications



Circuits	Taping dimensions (mm)			Reel dimensions (mm)	Q'ty / reel
	F	S	W		
15 to 21	7.5	6.75	16.0	17.5	3,000
23 to 39	11.5	10.75	24.0	25.5	3,000
45	11.5	10.75	24.0	25.5	2,500
51 to 57	14.2	28.4	32.0	33.5	3,000

Note:

1. Specifications conform to JIS C 0806. The tape width, connector recess dimensions, etc. are determined by the number of circuits and external shape of the connector to be loaded.
2. Specifications are subject to change without prior notice.