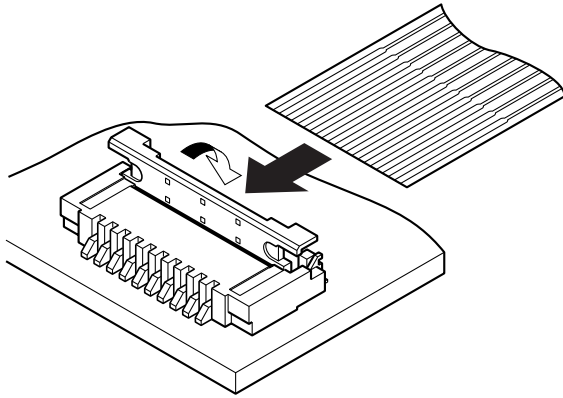


# FXL CONNECTOR

0.3mm pitch/Connectors for FPC



**0.3mm pitch non-ZIF flip lock type connector with 1.3mm low profile.**

- 1.3mm height, low profile
- Optimum heat resistant material for surface mount

## Specifications

- Current rating: 0.2A AC, DC
- Voltage rating: 50V AC, DC
- Temperature range: -25°C to +85°C  
(including temperature rise in applying electrical current)
- Contact resistance: Initial value/50m Ω max.  
After environmental testing/50m Ω max.  
(variation from initial value)
- Insulation resistance: 50M Ω min.
- Withstanding voltage: 200V AC/minute
- Applicable FPC: Conductor pitch/0.3mm  
<0.6mm pitch staggered>  
Conductor width/0.3mm  
Mating part thickness/0.2±0.03mm

Note: FPC to be actually used should be checked for applicability.

\* RoHS compliant products are published.

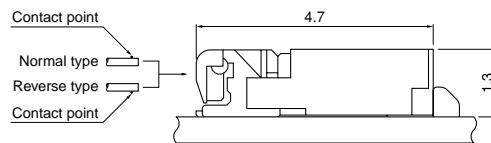
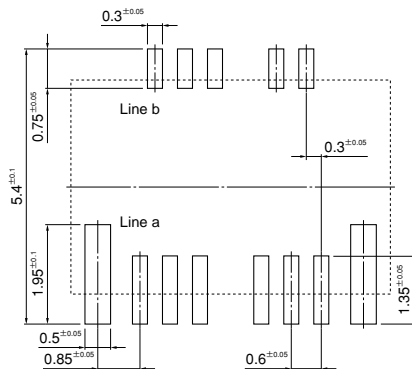
\* Refer to "General Instruction and Notice when using Terminals and Connectors" at the end of this catalog.

\* Contact JST for details.

## Standards

Recognized E60389

## PC board layout (viewed from component side) and Assembly layout

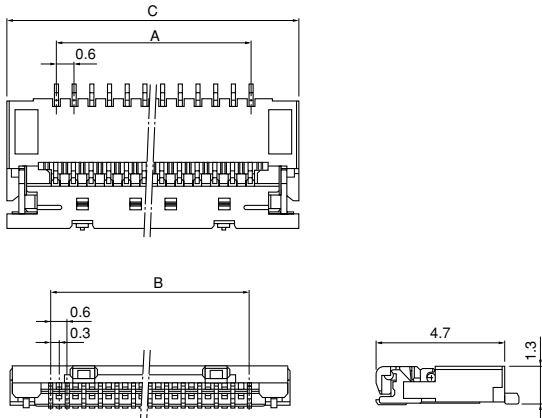


Note: 1. Tolerances are non-cumulative: ±0.05mm for all centers.  
2. The dimensions above should serve as a guideline. Contact JST for details.

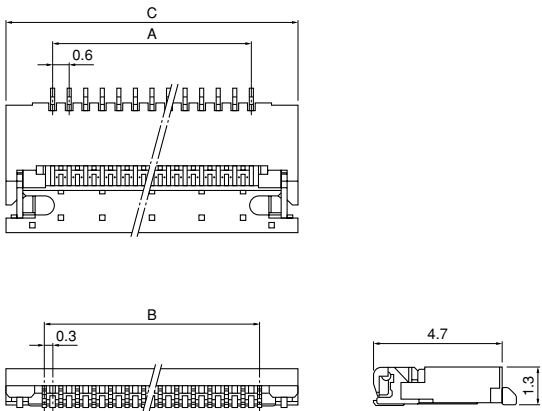
# FXL CONNECTOR

## Connector

### Normal type



### Reverse type



Circuits	Model No.	Dimensions (mm)			Q'ty / reel
		A	B	C	
19	<b>19FXL-SM1-S-H-TB</b>	4.8	5.4	8.2	3,000
33	<b>33FXL-SM1-S-H-TB</b>	9.0	9.6	12.4	3,000

#### Material and Finish

Contact: Copper alloy, copper-undercoated, tin-plated (reflow treatment)  
 Housing: LCP, UL94V-0  
 Cover housing: LCP, UL94V-0  
 Solder tab: Copper alloy, copper-undercoated, tin-plated (reflow treatment)  
 Frame pin: SUS

**RoHS compliance** This product displays (LF)(SN) on a label.

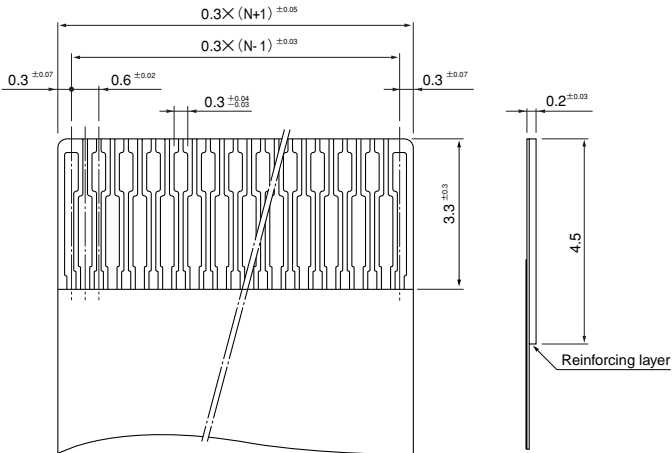
Circuits	Model No.	Dimensions (mm)			Q'ty / reel
		A	B	C	
11	<b>11FXL-RSM1-S-H-TB</b>	2.4	3.0	5.8	3,000
15	<b>15FXL-RSM1-S-H-TB</b>	3.6	4.2	7.0	3,000
17	<b>17FXL-RSM1-S-H-TB</b>	4.2	4.8	7.6	3,000
19	<b>19FXL-RSM1-S-H-TB</b>	4.8	5.4	8.2	3,000
21	<b>21FXL-RSM1-S-H-TB</b>	5.4	6.0	8.8	3,000
23	<b>23FXL-RSM1-S-H-TB</b>	6.0	6.6	9.4	3,000
25	<b>25FXL-RSM1-S-H-TB</b>	6.6	7.2	10.0	3,000
27	<b>27FXL-RSM1-S-H-TB</b>	7.2	7.8	10.6	3,000
29	<b>29FXL-RSM1-S-H-TB</b>	7.8	8.4	11.2	3,000
31	<b>31FXL-RSM1-S-H-TB</b>	8.4	9.0	11.8	3,000
33	<b>33FXL-RSM1-S-H-TB</b>	9.0	9.6	12.4	3,000
39	<b>39FXL-RSM1-S-H-TB</b>	10.8	11.4	14.2	3,000
51	<b>51FXL-RSM1-S-H-G-TB</b>	14.4	15.0	17.8	3,000
57	<b>57FXL-RSM1-S-H-G-TB</b>	16.2	16.8	19.6	3,000

#### Material and Finish

Contact: Copper alloy, copper-undercoated, tin-plated (reflow treatment)  
 Copper alloy, nickel-undercoated, gold-plated (51, 57 circuits)  
 Housing: LCP, UL94V-0  
 Cover housing: LCP, UL94V-0  
 Solder tab: Copper alloy, copper-undercoated, tin-plated (reflow treatment)  
 Reinforcement pin: KOVAR or SUS  
 Rotary pin: KOVAR or SUS

**RoHS compliance** This product displays (LF)(SN) on a label.

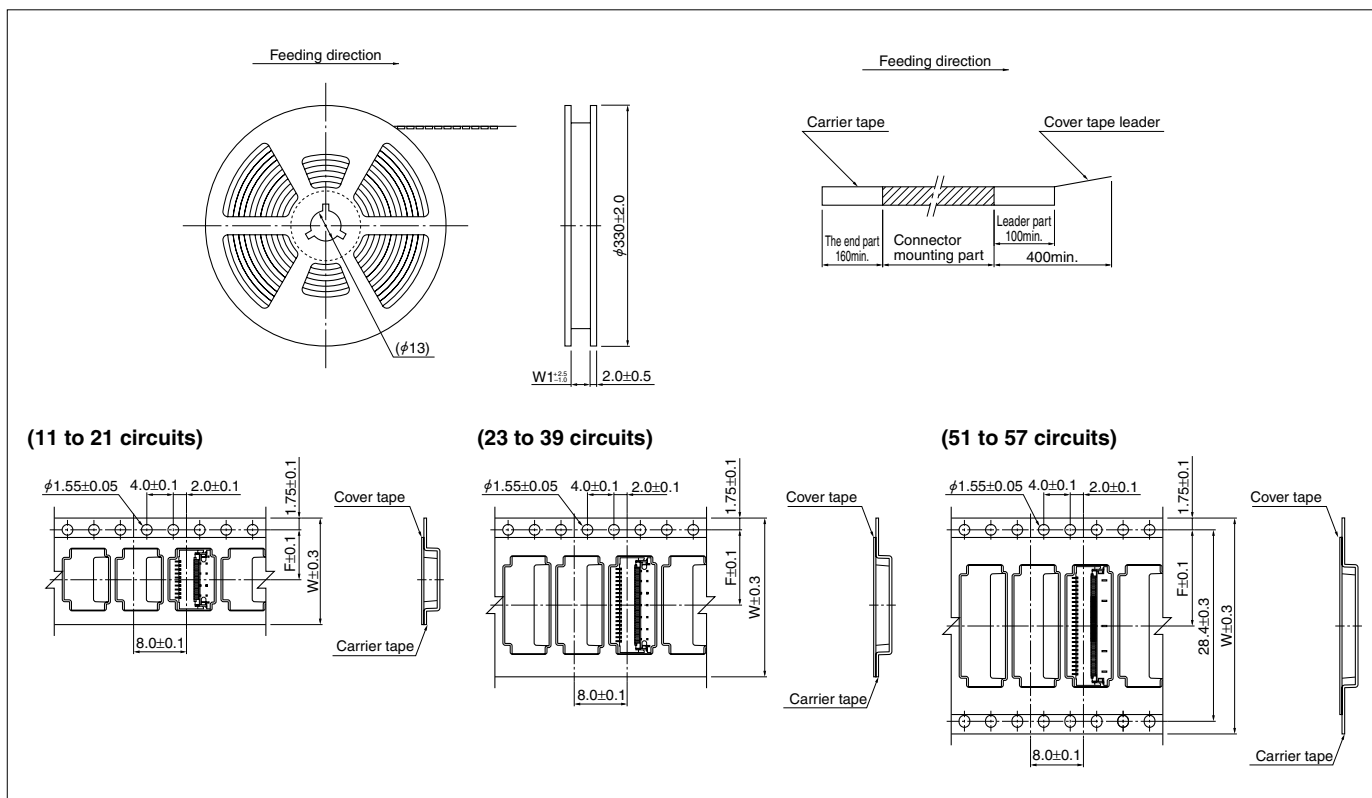
## Lead section dimensions of FPC



Note: N---Number of circuits

# FXL CONNECTOR

## Taping specifications



Circuits	Taping dimensions (mm)		Reel dimensions (mm)	Q'ty / reel
	F	W	W1	
11 to 21	7.5	16	17.5	3,000
23 to 39	11.5	24	25.5	3,000
51 to 57	14.2	32	33.5	3,000

**Note:**

1. Specifications conform to JIS C 0806. The tape width, connector recess dimensions, etc. are determined by the number of circuits and external shape of the connector to be loaded.
2. Specifications are subject to change without prior notice.