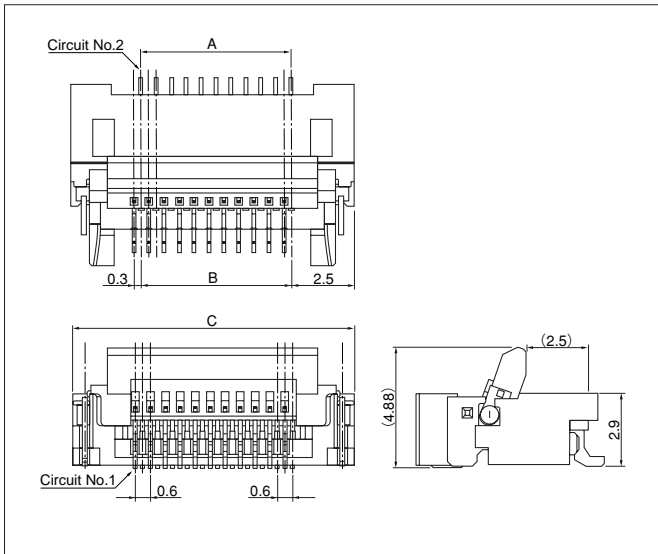


FXM CONNECTOR

Connector



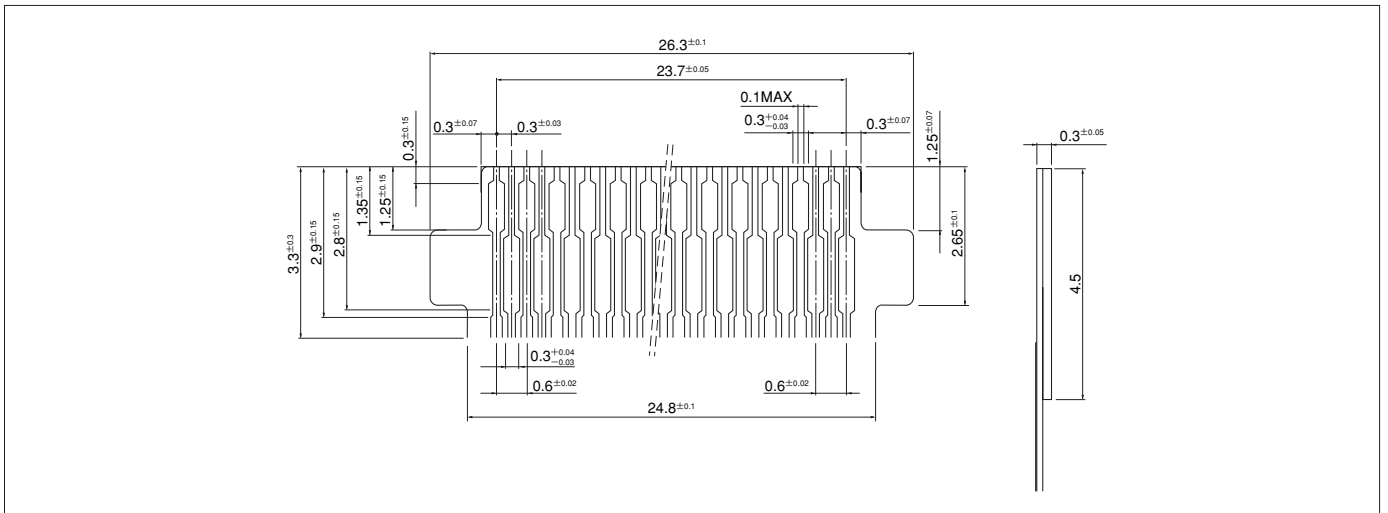
Circuits	Model No.	Dimensions (mm)			Q'ty / reel
		A	B	C	
80	80FXM-RSM1-G-1-TB	23.4	23.4	28.7	1,500

Material and Finish

Contact: Copper alloy, nickel-undercoated, gold-plated
 Cover: PPS, UL94V-0
 Housing: LCP, UL94V-0
 Solder tab: Copper alloy, copper-undercoated, tin-plated (reflow treatment)

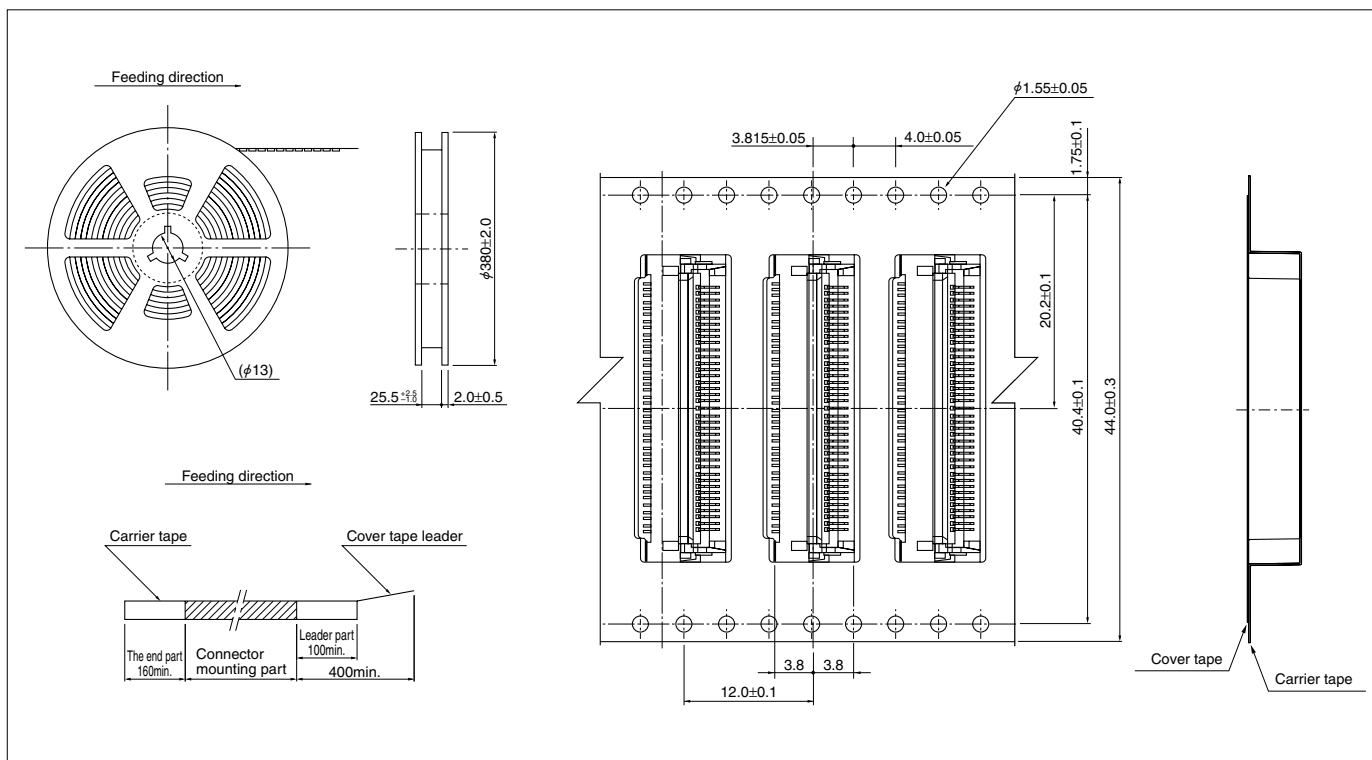
RoHS compliance This product displays (LF)(SN) on a label.

Lead section dimensions of FPC



FXM CONNECTOR

Taping specifications



Note:

1. Specifications conform to JIS C 0806. The tape width, connector loading recess square hole dimensions, etc. are determined by the number of circuits and external shape of the connector to be loaded.
2. Specifications are subject to change without prior notice.