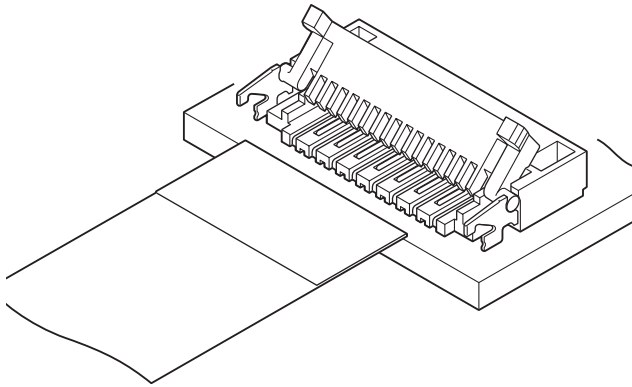




FXR CONNECTOR

0.3mm pitch/Connectors for FPC



This FXR connector is a ZIF type connector for FPC with only 1.0mm height.

- Low profile and ZIF mechanism
- Space saving design
- Heat resisting design suitable for surface mounting

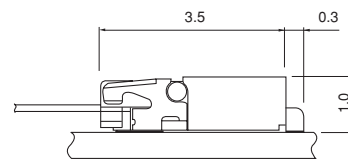
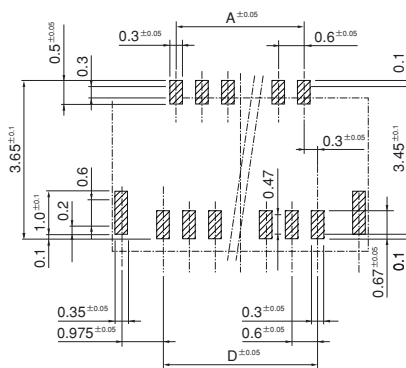
Specifications

- Current rating: 0.2A AC, DC
- Voltage rating: 50V AC, DC
- Temperature range: -25°C to +85°C
(including temperature rise in applying electrical current)
- Contact resistance: Initial value/50m Ω max.
After environmental testing/50m Ω max.
(variation from initial value)
- Insulation resistance: 50M Ω min.
- Withstanding voltage: 200V AC/minute
- Applicable FPC: Conductor pitch/0.3mm
Conductor width/0.3mm
Mating part thickness/0.2±0.03mm
- * RoHS compliant products are published.
- * Refer to "General Instruction and Notice when using Terminals and Connectors" at the end of this catalog.
- * Contact JST for details.

Standards

Recognized E60389

PC board layout (viewed from component side) and Assembly layout

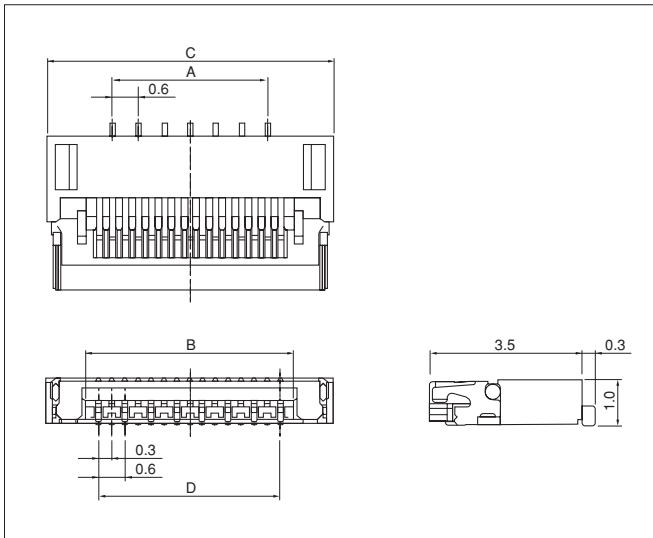


Note: 1. Tolerances are non-cumulative: ±0.05mm for all centers.

2. Hole dimensions differ according to the kind of PC board and piercing method. The dimensions above should serve as a guideline. Contact JST for details.

FXR CONNECTOR

Connector



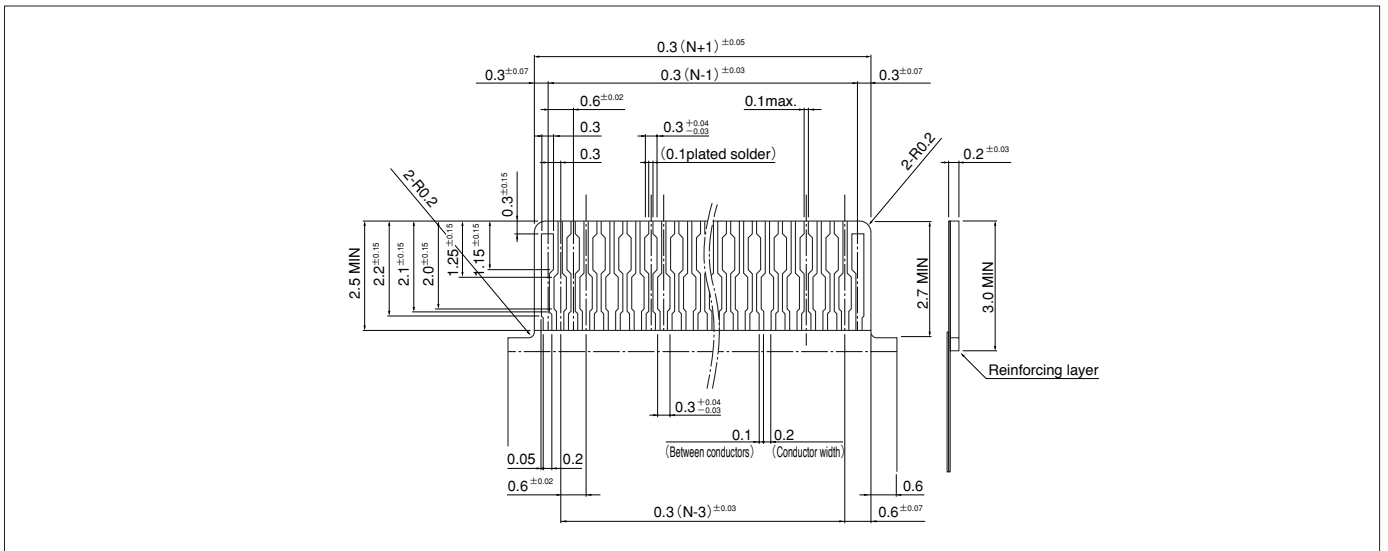
Circuits	Model No.	Dimensions (mm)				Q'ty / reel
		A	B	C	D	
11	11FXR-RSM1-GAN-TB	2.4	3.6	5.4	3.0	5,000
13	13FXR-RSM1-GAN-TB	3.0	4.2	6.0	3.6	5,000
15	15FXR-RSM1-GAN-TB	3.6	4.8	6.6	4.2	5,000
17	17FXR-RSM1-GAN-TB	4.2	5.4	7.2	4.8	5,000
19	19FXR-RSM1-GAN-TB	4.8	6.0	7.8	5.4	5,000
21	21FXR-RSM1-GAN-TB	5.4	6.6	8.4	6.0	5,000
23	23FXR-RSM1-GAN-TB	6.0	7.2	9.0	6.6	5,000
25	25FXR-RSM1-GAN-TB	6.6	7.8	9.6	7.2	5,000
27	27FXR-RSM1-GAN-TB	7.2	8.4	10.2	7.8	5,000
29	29FXR-RSM1-GAN-TB	7.8	9.0	10.8	8.4	5,000
31	31FXR-RSM1-GAN-TB	8.4	9.6	11.4	9.0	5,000
33	33FXR-RSM1-GAN-TB	9.0	10.2	12.0	9.6	5,000
35	35FXR-RSM1-GAN-TB	9.6	10.8	12.6	10.2	5,000
37	37FXR-RSM1-GAN-TB	10.2	11.4	13.2	10.8	5,000
39	39FXR-RSM1-GAN-TB	10.8	12.0	13.8	11.4	5,000
45	45FXR-RSM1-GAN-TB	12.6	13.8	15.6	13.2	5,000
47	47FXR-RSM1-GAN-TB	13.2	14.4	16.2	13.8	5,000
51	51FXR-RSM1-GAN-TB	14.4	15.6	17.4	15.0	5,000

Material and Finish

Contact: Copper alloy, nickel-undercoated, gold-plated (nickel-stripe)
 Cover: PPS, UL94V-0
 Housing: LCP, UL94V-0
 Solder tab: Copper alloy, copper-undercoated, tin-plated (reflow treatment)

RoHS compliance This product displays (LF)(SN)(S)(1) on a label.

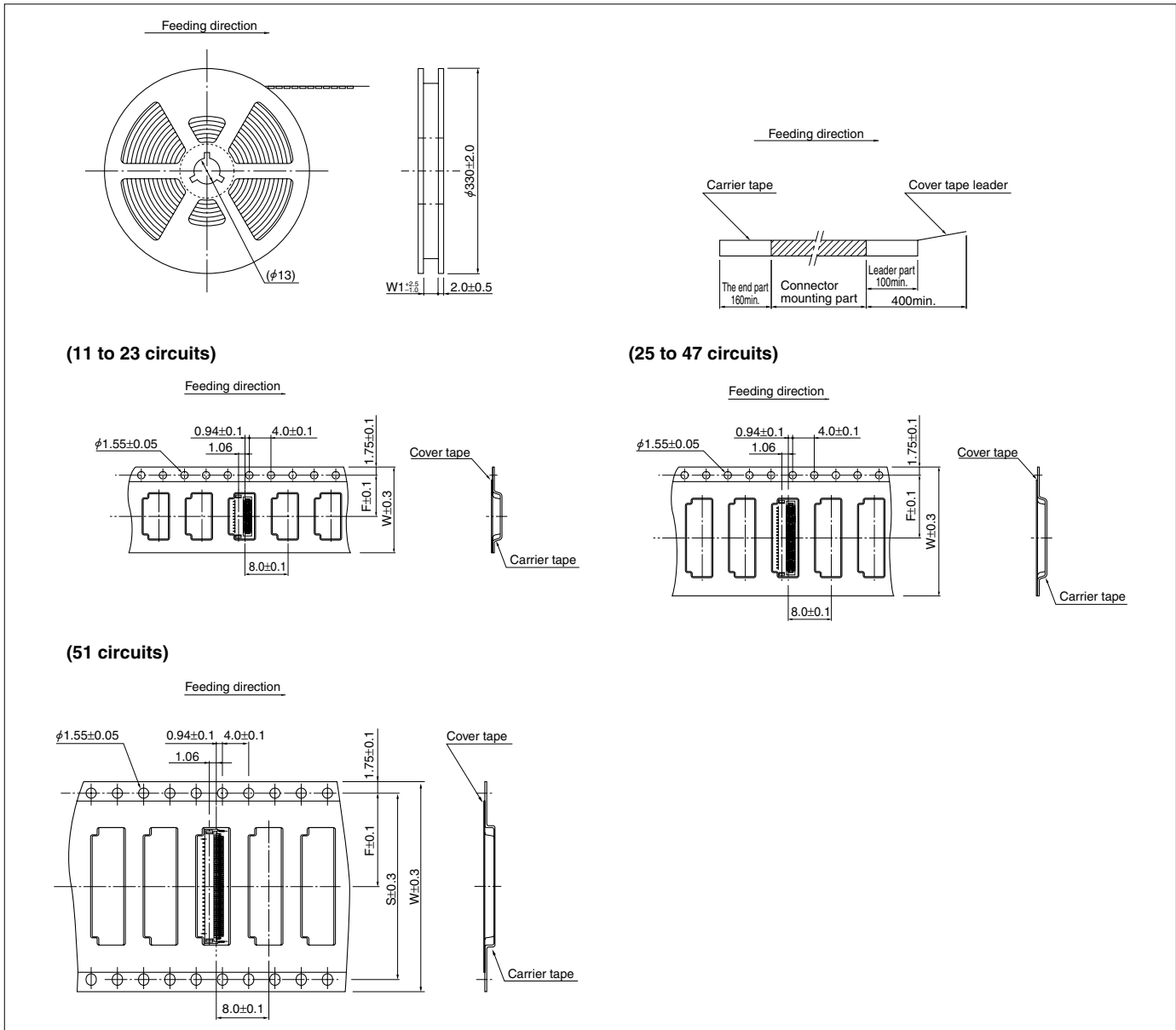
Lead section dimensions of FPC



Note: N --- Number of circuits

FXR CONNECTOR

Taping specifications



Circuits	Taping dimensions (mm)				Q'ty / reel
	F	S	W	W1	
11 to 23	7.5	—	16.0	17.5	5,000
25 to 47	11.5	—	24.0	25.5	5,000
51	14.2	28.4	32.0	33.5	5,000

Note:

1. Specifications conform to JIS C 0806. The tape width, connector loading recess square hole dimensions, etc. are determined by the number of circuits and external shape of the connector to be loaded.
2. Specifications are subject to change without prior notice.