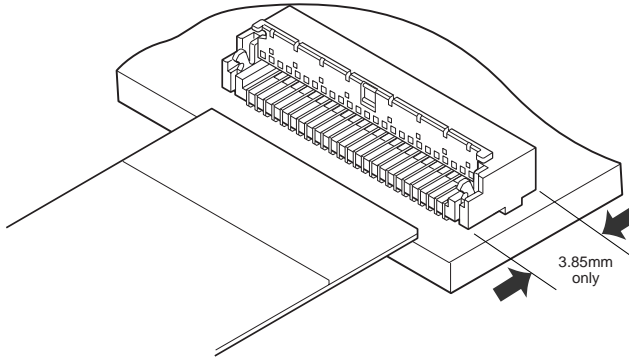


FXS CONNECTOR

0.3mm pitch/Connectors for FPC



Space saving flip lock type connector, with 1.8mm height and 3.85mm depth.

- Space saving design
- Rotating cover structure
- Locking structure

Specifications

- Current rating: 0.2A AC, DC
- Voltage rating: 50V AC, DC
- Temperature range: -25°C to +85°C
(including temperature rise in applying electrical current)
- Contact resistance: Initial value/50m Ω max.
After environmental testing/50m Ω max.
(variation from initial value)
- Insulation resistance: 500M Ω min.
- Withstanding voltage: 200V AC/minute
- Applicable FPC: Conductor pitch/0.3mm
<0.6mm pitch staggered>
Conductor width/0.3mm
Mating part thickness/0.2±0.03mm

Note: FPC to be actually used should be checked for applicability.

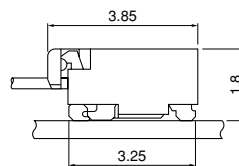
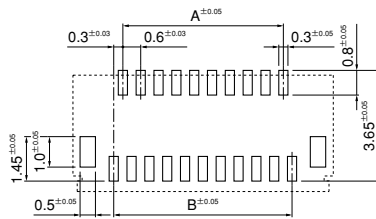
- * RoHS compliant products are published.
- * Refer to "General Instruction and Notice when using Terminals and Connectors" at the end of this catalog.
- * Contact JST for details.

Standards

Ⓜ Recognized E60389

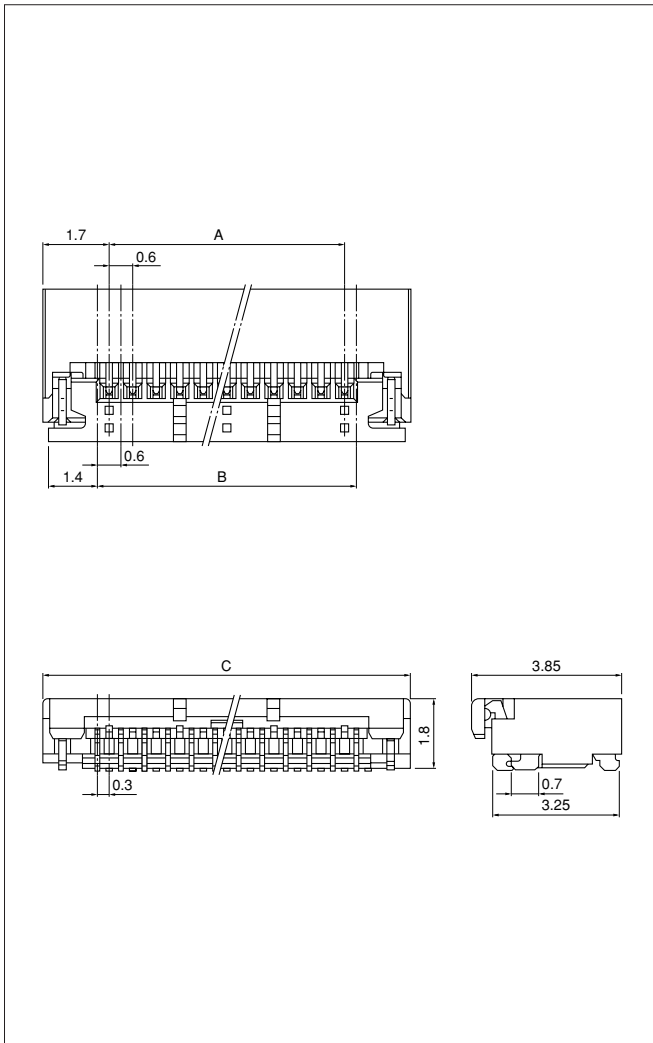
Ⓢ Certified LR20812

PC board layout (viewed from component side) and Assembly layout



- Note: 1. Tolerances are non-cumulative: ±0.03mm for all centers.
2. The dimensions above should serve as a guideline. Contact JST for details.

Connector



Gold-plated

Circuits	Model No.	Dimensions (mm)			Q'ty / reel
		A	B	C	
15	15FXS-RSM1-G-TF (B)	3.6	4.2	7.0	2,500
19	19FXS-RSM1-G-TF (B)	4.8	5.4	8.2	2,500
21	21FXS-RSM1-G-TF (B)	5.4	6.0	8.8	2,500
25	25FXS-RSM1-G-TF (B)	6.6	7.2	10.0	2,500
33	33FXS-RSM1-G-TF (B)	9.0	9.6	12.4	2,500
45	45FXS-RSM1-G-TF (B)	12.6	13.2	16.0	2,500
51	51FXS-RSM1-G-TF (B)	14.4	15.0	17.8	2,500

Material and Finish

Contact: Copper alloy, nickel-undercoated, gold-plated
Housing: Heat resisting resin, UL94V-0
Solder tab: Copper alloy, copper-undercoated, tin-plated (reflow treatment)
Cover: Heat resisting resin, UL94V-0
Reinforcing pin: KOVAR
Rotary pin: KOVAR

RoHS compliance This product displays (LF)(SN) on a label.

Tin-plated

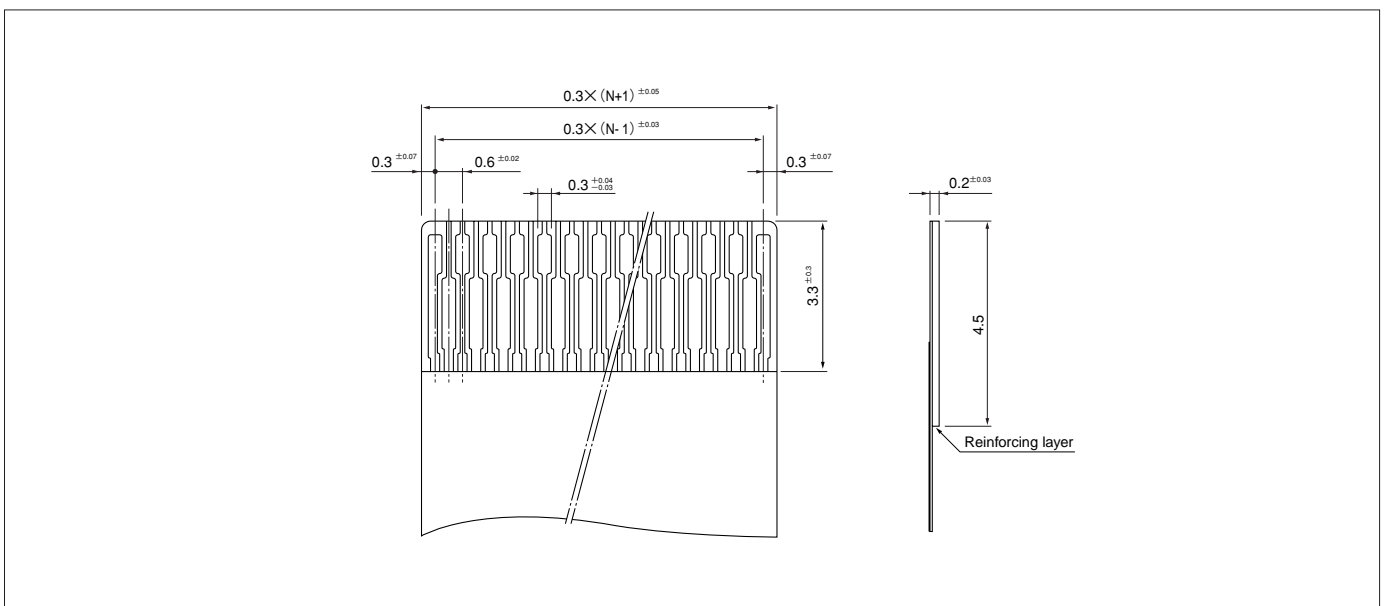
Circuits	Model No.	Dimensions (mm)			Q'ty / reel
		A	B	C	
15	15FXS-RSM1-TF (B)	3.6	4.2	7.0	2,500
19	19FXS-RSM1-TF (B)	4.8	5.4	8.2	2,500
21	21FXS-RSM1-TF (B)	5.4	6.0	8.8	2,500
25	25FXS-RSM1-TF (B)	6.6	7.2	10.0	2,500
33	33FXS-RSM1-TF (B)	9.0	9.6	12.4	2,500
45	45FXS-RSM1-TF (B)	12.6	13.2	16.0	2,500
51	51FXS-RSM1-TF (B)	14.4	15.0	17.8	2,500

Material and Finish

Contact: Copper alloy, copper-undercoated, tin-plated (reflow treatment)
Housing: Heat resisting resin, UL94V-0
Solder tab: Copper alloy, copper-undercoated, tin-plated (reflow treatment)
Cover: Heat resisting resin, UL94V-0
Reinforcing pin: KOVAR
Rotary pin: KOVAR

RoHS compliance This product displays (LF)(SN) on a label.

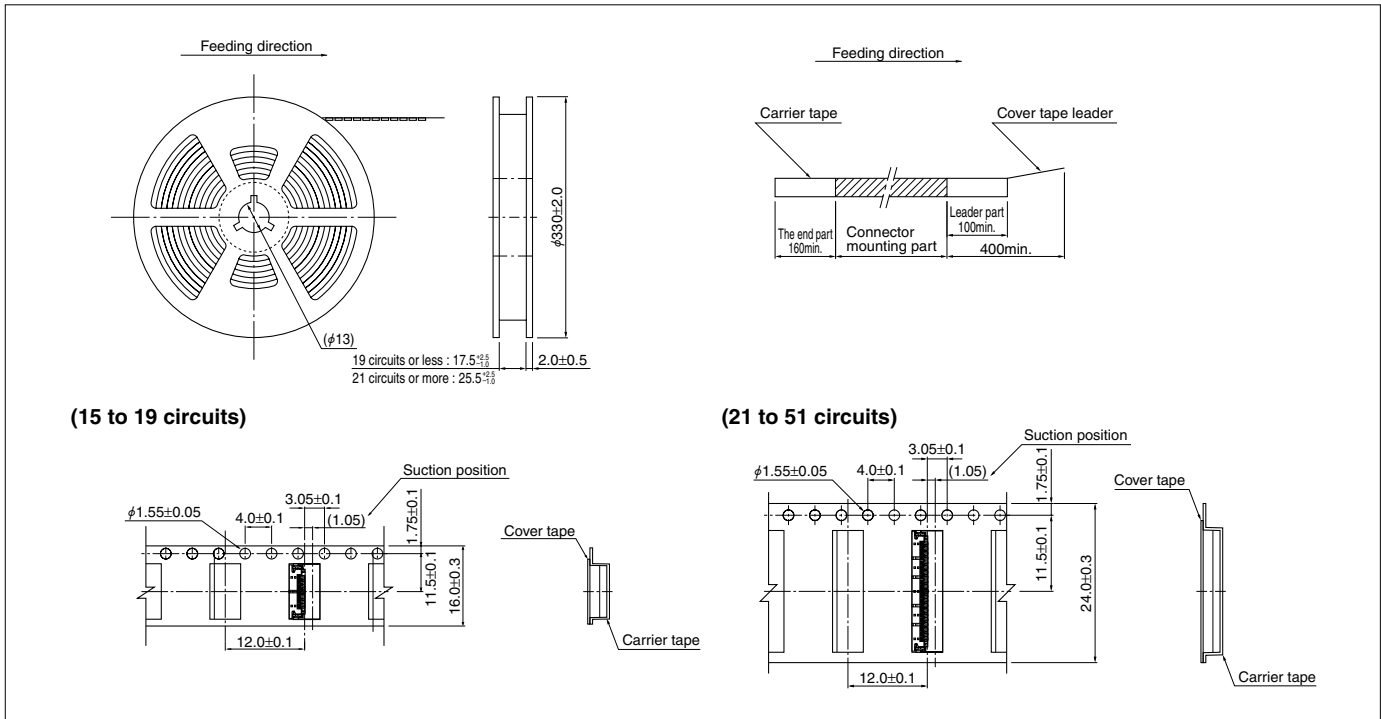
Lead section dimensions of FPC



Note: N---Number of circuits

FXS CONNECTOR

Taping specifications



- Note:
- Specifications conform to JIS C 0806. The tape width, connector recess dimensions, etc. are determined by the number of circuits and external shape of the connector to be loaded.
 - Specifications are subject to change without prior notice.