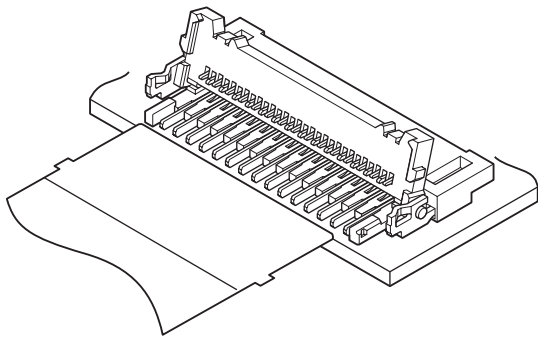
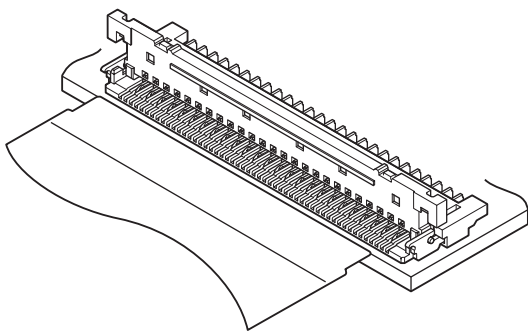


FXW CONNECTOR

0.3mm pitch/Connectors for FPC



Normal type



Reverse type

This low-profile FPC connector with a mounting height of 1.0mm has a Double ZIF Flip-lock slider structure.

- Low-profile (1.0mm height) & adoption of Double ZIF structure
- One-touch sliding operation of Molded Cover
- Heat resisting design suitable for surface mounting
- FPC with protrusions for normal type

Specifications

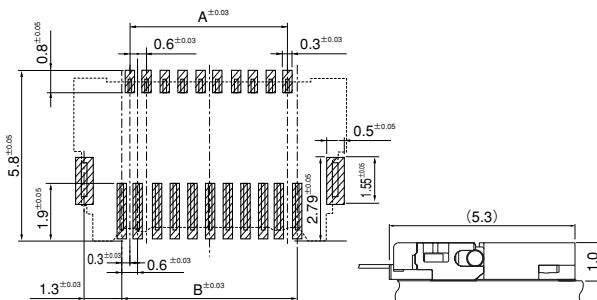
- Current rating: 0.2A AC, DC
- Voltage rating: 50V AC, DC
- Temperature range: -25°C to +85°C
(including temperature rise in applying electrical current)
- Contact resistance: Initial value/60m Ω max.
After environmental testing/50m Ω max.
(variation from initial value)
- Withstanding voltage: 200V AC/minute
- Applicable FPC: Conductor pitch/0.3mm
<0.6mm pitch staggered>
Conductor width/0.3mm
Mating part thickness/0.12^{+0.03}_{-0.02}mm
- * RoHS compliant products are published.
- * Refer to "General Instruction and Notice when using Terminals and Connectors" at the end of this catalog.
- * Contact JST for details.

Standards

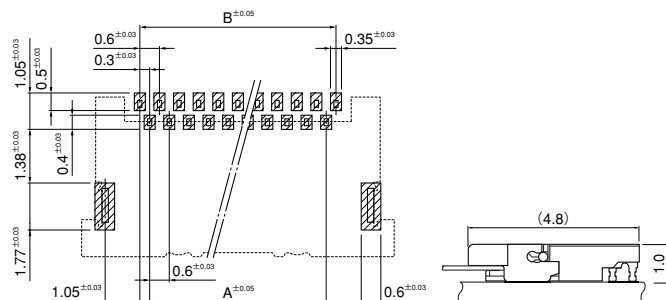
Recognized E60389

PC board layout (viewed from component side) and Assembly layout

Normal type



Reverse type

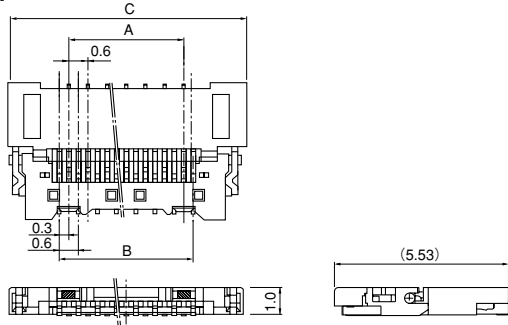


Note: 1. Tolerances are non-cumulative: ±0.03mm for all centers.
2. The dimensions above should serve as a guideline. Contact JST for details.

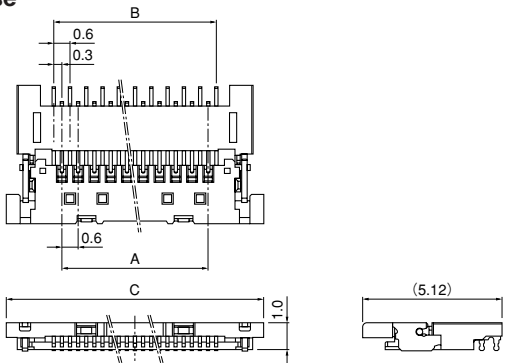
FXW CONNECTOR

Connector

Normal type



Reverse type



Circuits	Model No.	Dimensions (mm)			Q'ty / reel
		A	B	C	
25	25FXW-SM1-G-S-TB	6.6	7.2	10.4	5,000
29	29FXW-SM1-G-S-TB	7.8	8.4	11.6	5,000

Material and Finish

Contact: Copper alloy, nickel-undercoated, gold-plated
 Housing: Heat resisting resin, UL94V-0
 Solder tab: Copper alloy, copper-undercoated, tin-plated (reflow treatment)
 Cover: Heat resisting resin, UL94V-0

RoHS compliance This product displays (LF)(SN) on a label.

Circuits	Model No.	Dimensions (mm)			Q'ty / reel
		A	B	C	
17	17FXW-RSM1-G-S-TB	4.2	4.8	8.3	4,500
27	27FXW-RSM1-G-S-TB	7.2	7.8	11.3	4,500
31	31FXW-RSM1-G-S-TB	8.4	9.0	12.5	4,500
35	35FXW-RSM1-G-S-TB	9.6	10.2	13.7	4,500
41	41FXW-RSM1-G-S-TB	11.4	12.0	15.5	4,500
51	51FXW-RSM1-G-S-TB	14.4	15.0	18.5	4,500
59	59FXW-RSM1-G-S-TB	16.8	17.4	20.9	4,500

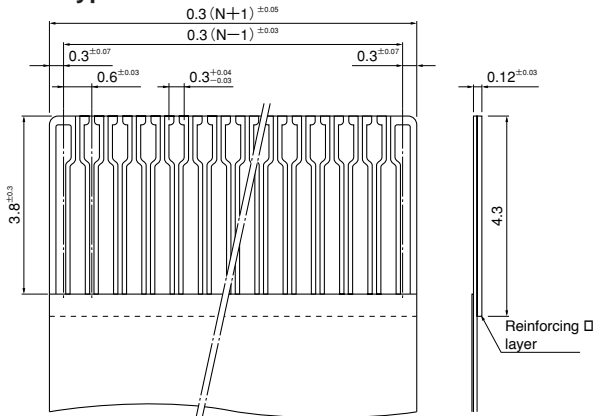
Material and Finish

Contact: Copper alloy, nickel-undercoated, gold-plated
 Housing: Heat resisting resin, UL94V-0
 Solder tab: Copper alloy, copper-undercoated, tin-plated (reflow treatment)
 Cover: Heat resisting resin, UL94V-0

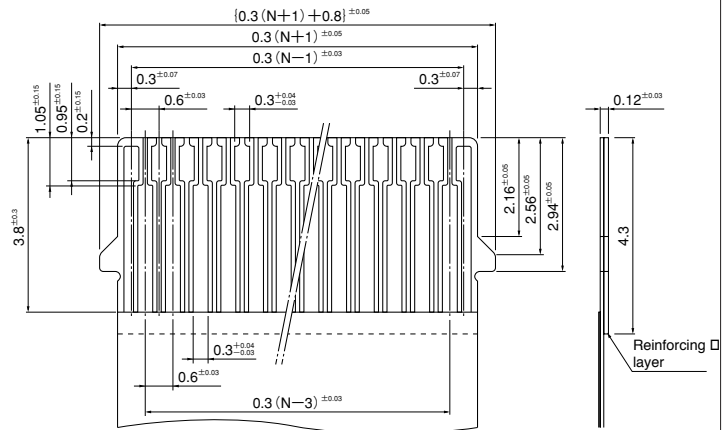
RoHS compliance This product displays (LF)(SN) on a label.

Lead section dimensions of FPC

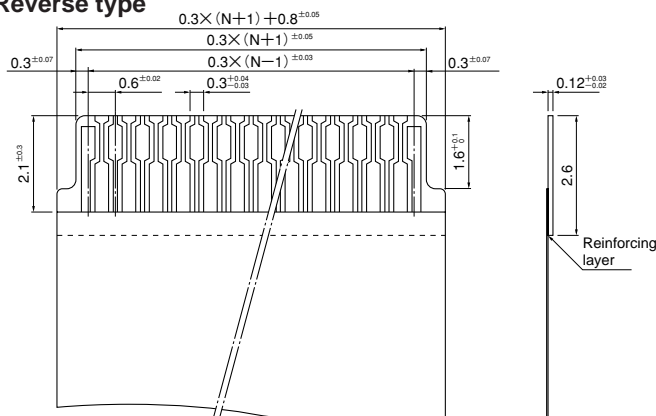
Normal type



<With protrusions>



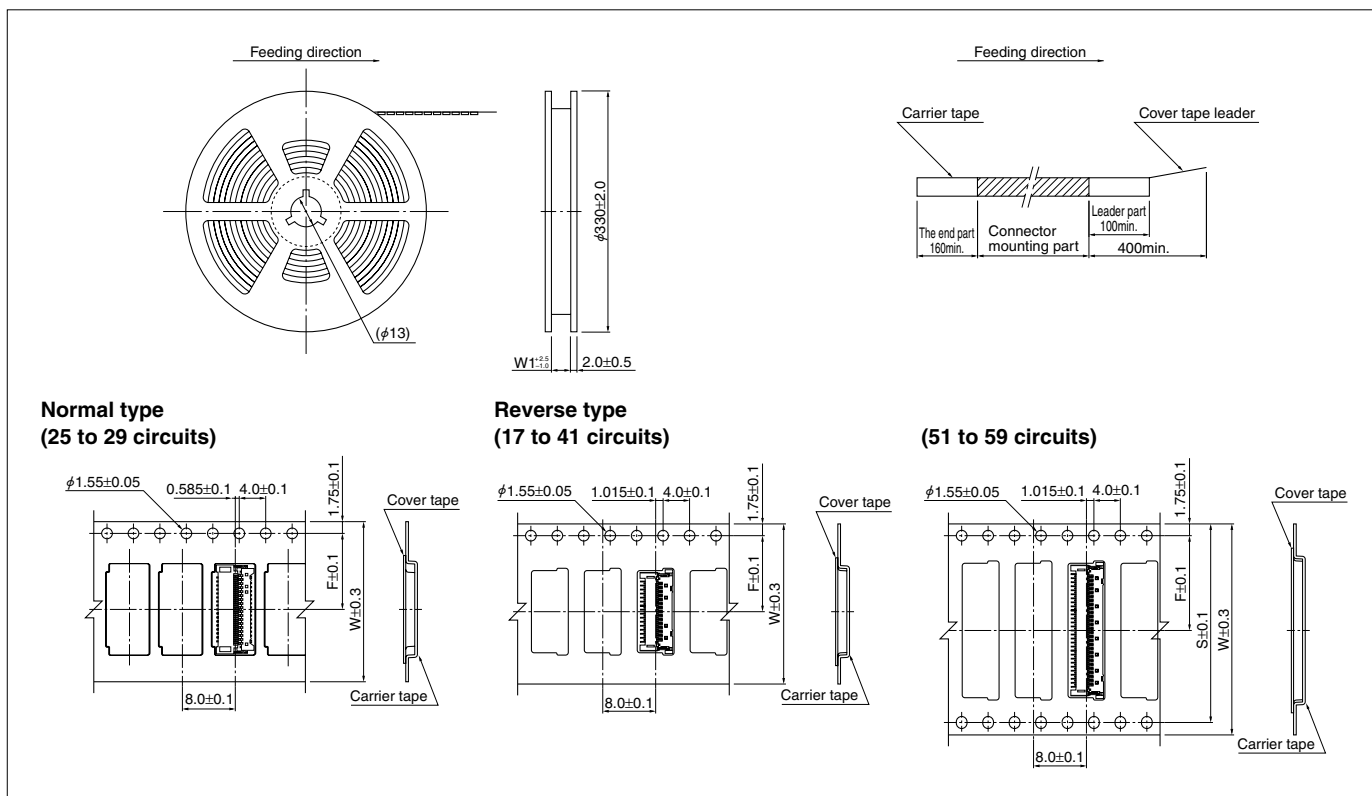
Reverse type



Note: N---Number of circuits

FXW CONNECTOR

Taping specifications



Circuits	Taping dimensions (mm)			Reel dimensions (mm)	Q'ty / reel	
	F	S	W		W1	Nomal
17	7.5	—	16.0	17.5	—	4,500
25 to 29	11.5	—	24.0	25.5	5,000	—
27 to 41	11.5	—	24.0	25.5	—	4,500
51 to 59	14.2	28.4	32.0	33.5	—	4,500

Note:

1. Specifications conform to JIS C 0806. The tape width, connector recess dimensions, etc. are determined by the number of circuits and external shape of the connector to be loaded.
2. Specifications are subject to change without prior notice.