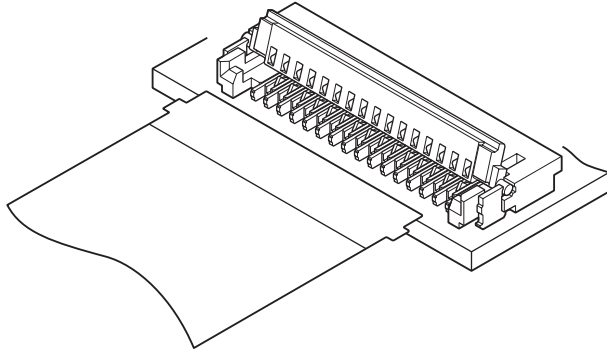




# FXY CONNECTOR

0.3mm pitch/Connectors for FPC



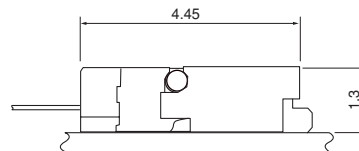
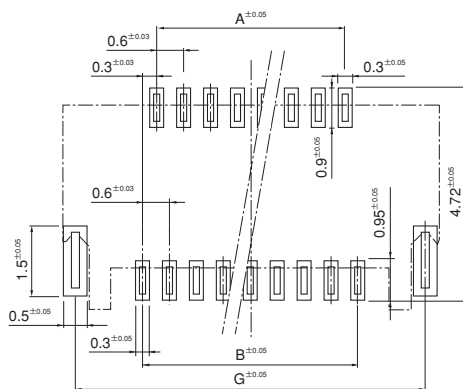
**In addition to achieving space saving and low profile features demanded by the market, this connector also realizes superb operability by adopting a FPC with protrusion. The use of the FPC provides secure and foolproof mating at the customers' production site.**

- **ZIF mechanism**
- **Self-lock mechanism enables the cover to close by one-touch operation**
- **A FPC with protrusion improves operability and reliability**

## Specifications

- Current rating: 0.2A AC, DC
- Voltage rating: 50V AC, DC
- Temperature range: -25°C to +85°C  
(including temperature rise in applying electrical current)
- Contact resistance: Initial value/70m Ω max.  
After environmental testing/60m Ω max.  
(variation from initial value)
- Insulation resistance: 50M Ω min.
- Withstanding voltage: 200V AC/minute
- Applicable FPC: Conductor pitch/0.3mm  
<0.6mm pitch staggered>  
Conductor width/0.3mm  
Mating part thickness/0.2±0.03mm
- \* RoHS compliant products are published.
- \* Refer to "General Instruction and Notice when using Terminals and Connectors" at the end of this catalog.
- \* Contact JST for details.

## PC board layout (viewed from component side) and Assembly layout

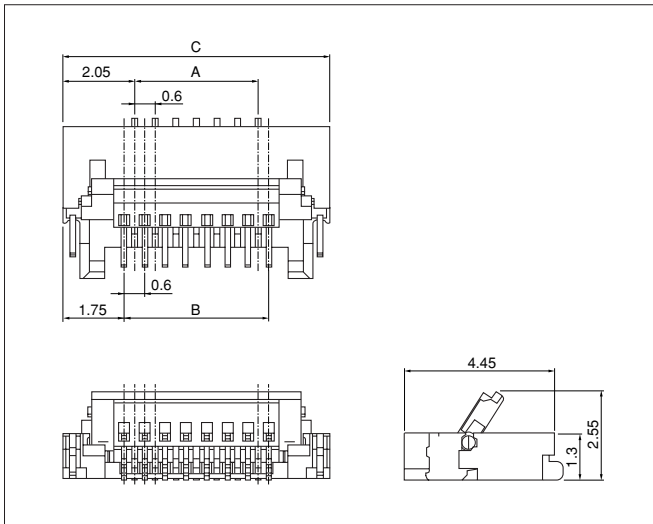


Circuits	Dimensions (mm)		
	A	B	G
19	4.8	5.4	8.4
25	6.6	7.2	10.2
27	7.2	7.8	10.8
31	8.4	9.0	12.0
33	9.0	9.6	12.6
37	10.2	10.8	13.8
45	12.6	13.2	16.2
51	14.4	15.0	18.0

Note: 1. Tolerances are non-cumulative: ±0.05mm for all centers.  
2. The dimensions above should serve as a guideline. Contact JST for details.

# FXY CONNECTOR

## Connector



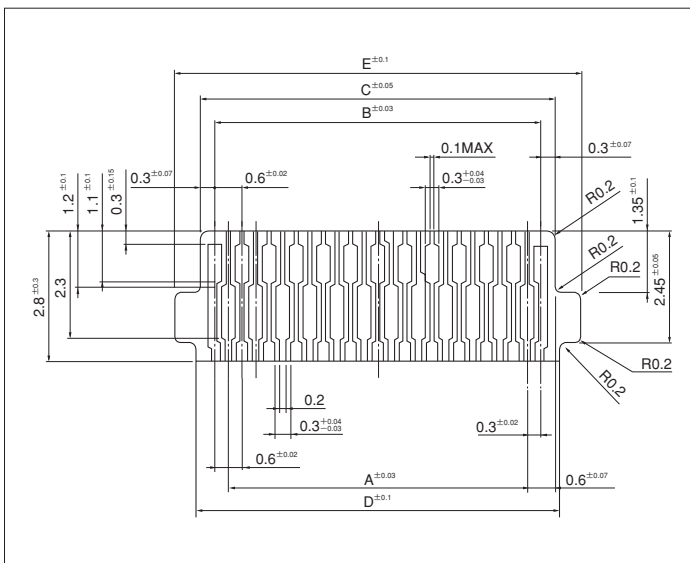
Circuits	Model No.	Dimensions (mm)			Q'ty / reel
		A	B	C	
15	15FXY-RSM1-GAN-1-TB	3.6	4.2	7.7	2,500
19	19FXY-RSM1-GAN-1-TB	4.8	5.4	8.9	2,500
25	25FXY-RSM1-GAN-1-TB	6.6	7.2	10.7	2,500
27	27FXY-RSM1-GAN-1-TB	7.2	7.8	11.3	2,500
31	31FXY-RSM1-GAN-1-TB	8.4	9.0	12.5	2,500
33	33FXY-RSM1-GAN-1-TB	9.0	9.6	13.1	2,500
37	37FXY-RSM1-GAN-1-TB	10.2	10.8	14.3	2,500
39	39FXY-RSM1-GAN-1-TB	10.8	11.4	14.9	2,500
45	45FXY-RSM1-GAN-1-TB	12.6	13.2	16.7	2,500
51	51FXY-RSM1-GAN-1-TB	14.4	15.0	18.5	2,500

### Material and Finish

Contact: Copper alloy, nickel-undercoated, gold-plated (nickel-stripe)  
 Cover: PPS, UL94V-0  
 Housing: LCP, UL94V-0  
 Solder tab: Copper alloy, copper-undercoated, tin-plated (reflow treatment)

**RoHS compliance** This product displays (LF)(SN) on a label.

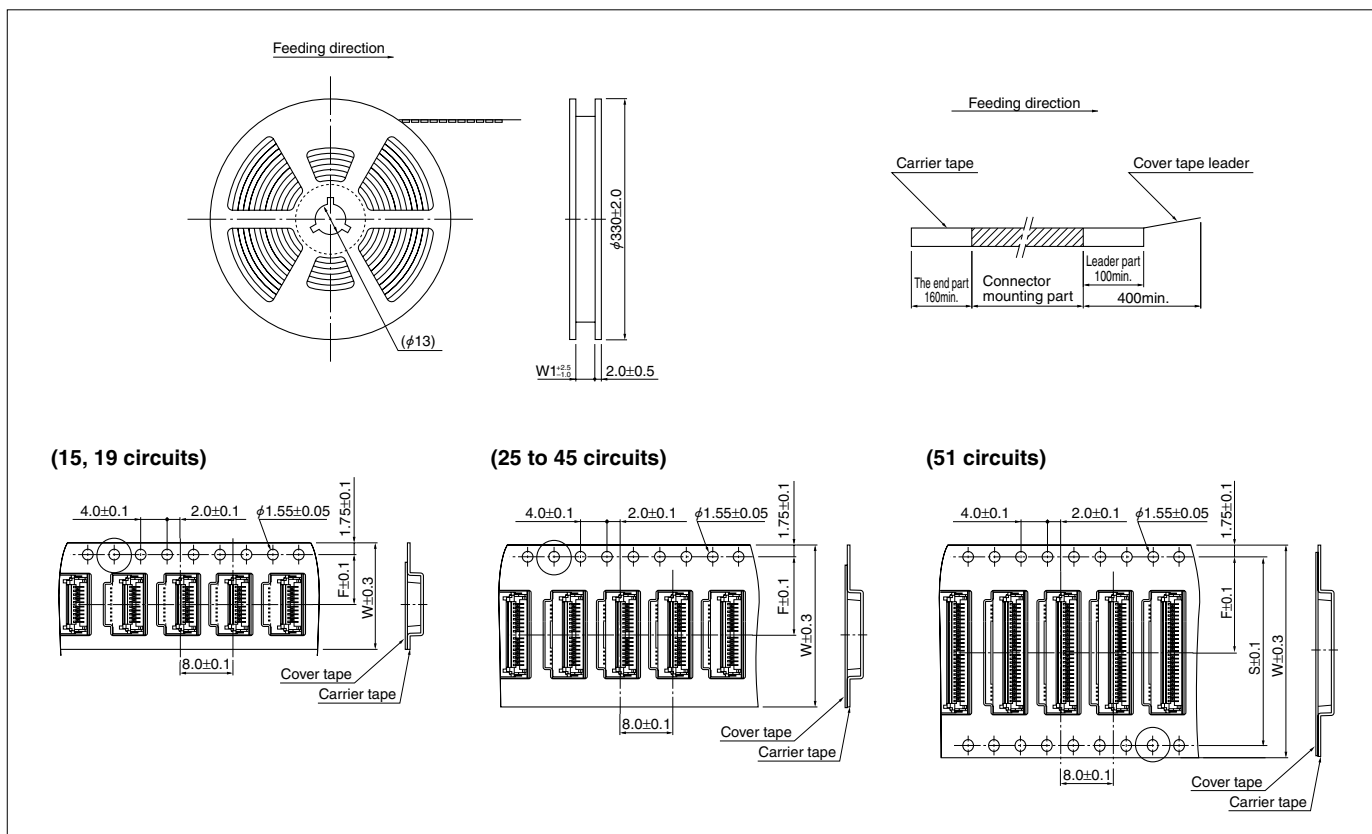
## Lead section dimensions of FPC



Circuits	Dimensions (mm)				
	A	B	C	D	E
19	4.8	5.4	6.0	6.3	7.2
25	6.6	7.2	7.8	8.1	9.0
27	7.2	7.8	8.4	8.7	9.6
31	8.4	9.0	9.6	9.9	10.8
33	9.0	9.6	10.2	10.5	11.4
37	10.2	10.8	11.4	11.7	12.6
45	12.6	13.2	13.8	14.1	15.0
51	14.4	15.0	15.6	15.9	16.8

# FX Y CONNECTOR

## Taping specifications



Circuits	Taping dimensions (mm)				Q'ty / reel
	F	S	W	W1	
15, 19	7.5	—	16.0	17.5	2,500
25 to 45	11.5	—	24.0	25.5	2,500
51	14.2	28.4	32.0	33.5	2,500

**Note:**

1. Specifications conform to JIS C 0806. The tape width, connector loading recess square hole dimensions, etc. are determined by the number of circuits and external shape of the connector to be loaded.
2. Specifications are subject to change without prior notice.