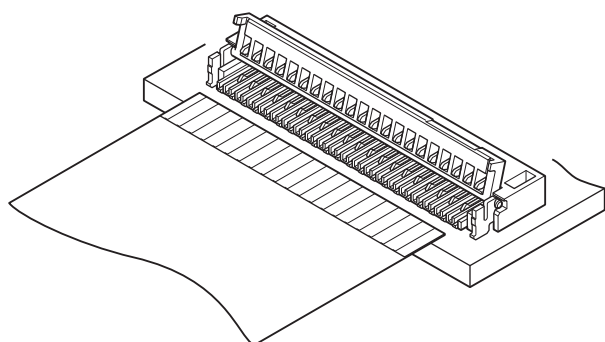


# FXZ CONNECTOR

0.3mm pitch/Connectors for FPC



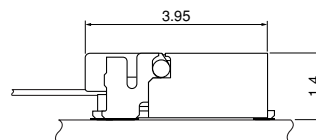
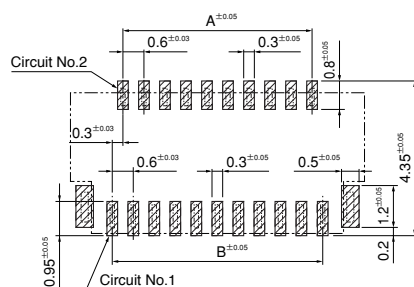
**This connector realizes space saving and low profile features demanded by the market, and it provides excellent operability. Various number of circuits can be available.**

- Double ZIF design for easy insertion operation of FPC
- Self-lock mechanism enables the cover to close by 'one-touch' operation
- Versatile number of circuit

## Specifications

- Current rating: 0.2A AC, DC
- Voltage rating: 50V AC, DC
- Temperature range: -25°C to +85°C  
(including temperature rise in applying electrical current)
- Contact resistance: Initial value/60m Ω max.  
After environmental testing/60m Ω max.  
(variation from initial value)
- Insulation resistance: 50M Ω min.
- Withstanding voltage: 200V AC/minute
- Applicable FPC: Conductor pitch/0.3mm  
Conductor width/0.3mm  
Mating part thickness/0.2±0.03mm
- \* RoHS compliant products are published.
- \* Refer to "General Instruction and Notice when using Terminals and Connectors" at the end of this catalog.
- \* Contact JST for details.

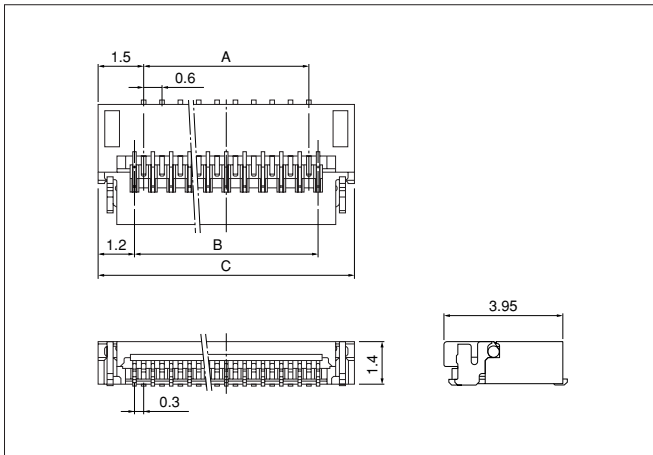
## PC board layout (viewed from component side) and Assembly layout



Note: 1. Tolerances are non-cumulative: ±0.05mm for all centers.  
2. The dimensions above should serve as a guideline. Contact JST for details.

# FXZ CONNECTOR

## Connector



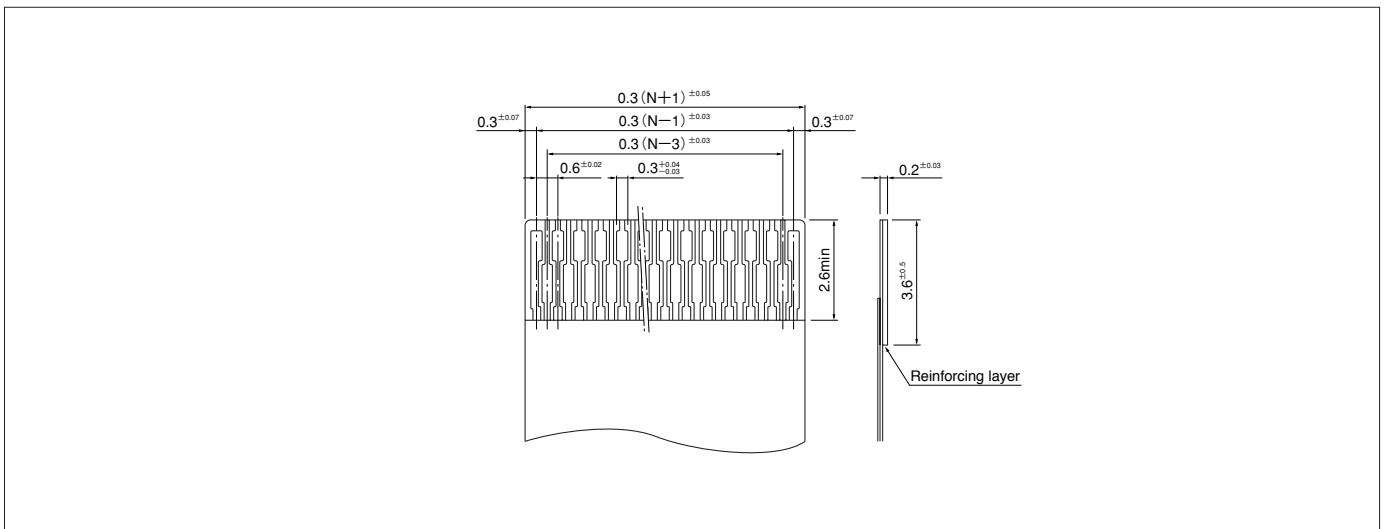
Circuits	Model No.	Dimensions (mm)			Q'ty/ reel
		A	B	C	
15	15FXZ-RSM1-GAN-ETF	3.6	4.2	6.6	2,500
17	17FXZ-RSM1-GAN-ETF	4.2	4.8	7.2	2,500
23	23FXZ-RSM1-GAN-ETF	6.0	6.6	9.0	2,500
25	25FXZ-RSM1-GAN-ETF	6.6	7.2	9.6	2,500
29	29FXZ-RSM1-GAN-ETF	7.8	8.4	10.8	2,500
31	31FXZ-RSM1-GAN-ETF	8.4	9.0	11.4	2,500
35	35FXZ-RSM1-GAN-ETF	9.6	10.2	12.6	2,500
39	39FXZ-RSM1-GAN-ETF	10.8	11.4	13.8	2,500
51	51FXZ-RSM1-GAN-ETF	14.4	15.0	17.4	2,500
53	53FXZ-RSM1-GAN-ETF	15.0	15.6	18.0	2,500
61	61FXZ-RSM1-GAN-ETF	17.4	18.0	20.4	2,500
73	73FXZ-RSM1-GAN-ETF	21.0	21.6	24.0	2,500

### Material and Finish

Contact: Copper alloy, nickel-undercoated, gold-plated (nickel-stripe)  
Housing: Heat resisting resin, UL94V-0  
Solder tab: Copper alloy, copper-undercoated, tin-plated (reflow treatment)  
Cover: Heat resisting resin, UL94V-0

**RoHS compliance** This product displays (LF)(SN) on a label.  
This products listed above are supplied on embossed-tape.

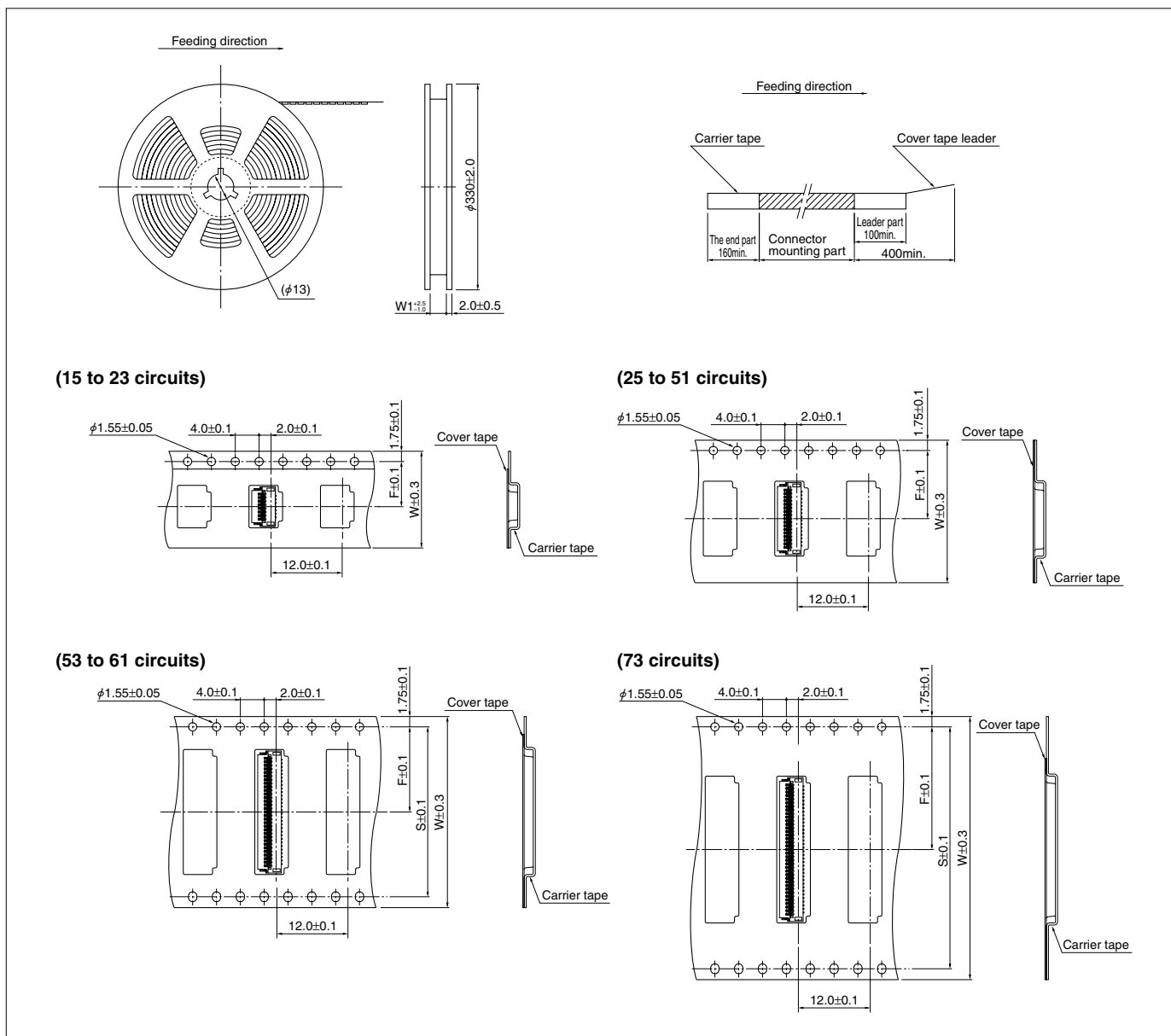
## Lead section dimensions of FPC



Note: N --- Number of circuits

# FXZ CONNECTOR

## Taping specifications



Circuits	Taping dimensions (mm)			Reel dimensions (mm)	Q'ty / reel
	F	S	W	W1	
15 to 23	7.5	—	16.0	17.5	2,500
25 to 51	11.5	—	24.0	25.5	2,500
53 to 61	14.2	28.4	32.0	33.5	2,500
73	20.2	40.4	44.0	45.5	2,500

Note: 1. Specifications conform to JIS C 0806. The tape width, connector loading recess square hole dimensions, etc. are determined by the number of circuits and external shape of the connector to be loaded.  
2. Specifications are subject to change without prior notice.