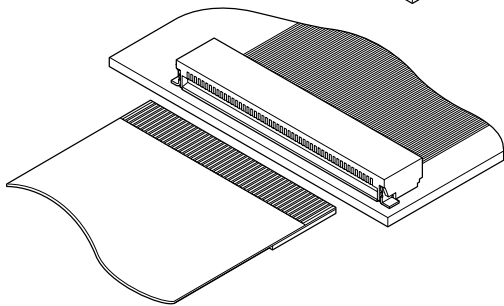
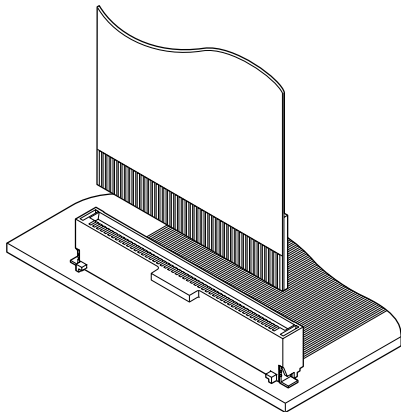


FY CONNECTOR

0.5mm pitch/Connectors for FFC



0.5mm pitch non-ZIF snap-in type FFC connector.

- Heat resisting design suitable for surface mounting
- One-sided contact construction
- Solder tabs
- Embossed tape for automatic mounting

Specifications

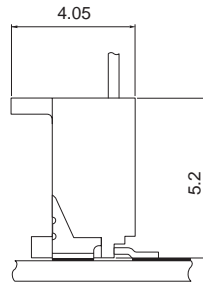
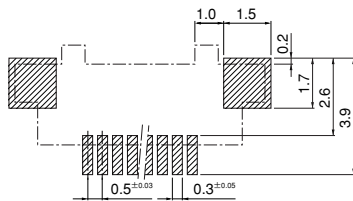
- Current rating: 0.3A AC, DC
 - Voltage rating: 30V AC, DC
 - Temperature range: -25°C to +85°C
(including temperature rise in applying electrical current)
 - Contact resistance: Initial value/50m Ω max.
After environmental testing/70m Ω max.
 - Insulation resistance: 100M Ω min.
 - Withstanding voltage: 200V AC/minute
 - Applicable FFC: Conductor pitch/0.5mm
Conductor width/0.3mm
Mating part thickness/0.3±0.03mm
- * RoHS compliant products are published.
* Refer to "General Instruction and Notice when using Terminals and Connectors" at the end of this catalog.
* Contact JST for details.

Standards

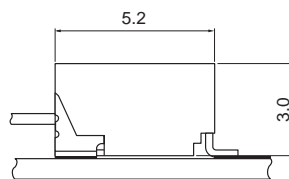
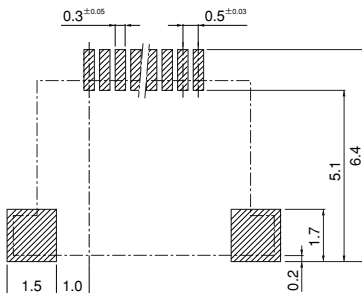
- Ⓡ Recognized E60389
- Ⓢ Certified LR20812
- Ⓡ R50006970

PC board layout (viewed from component side) and Assembly layout

Top entry type

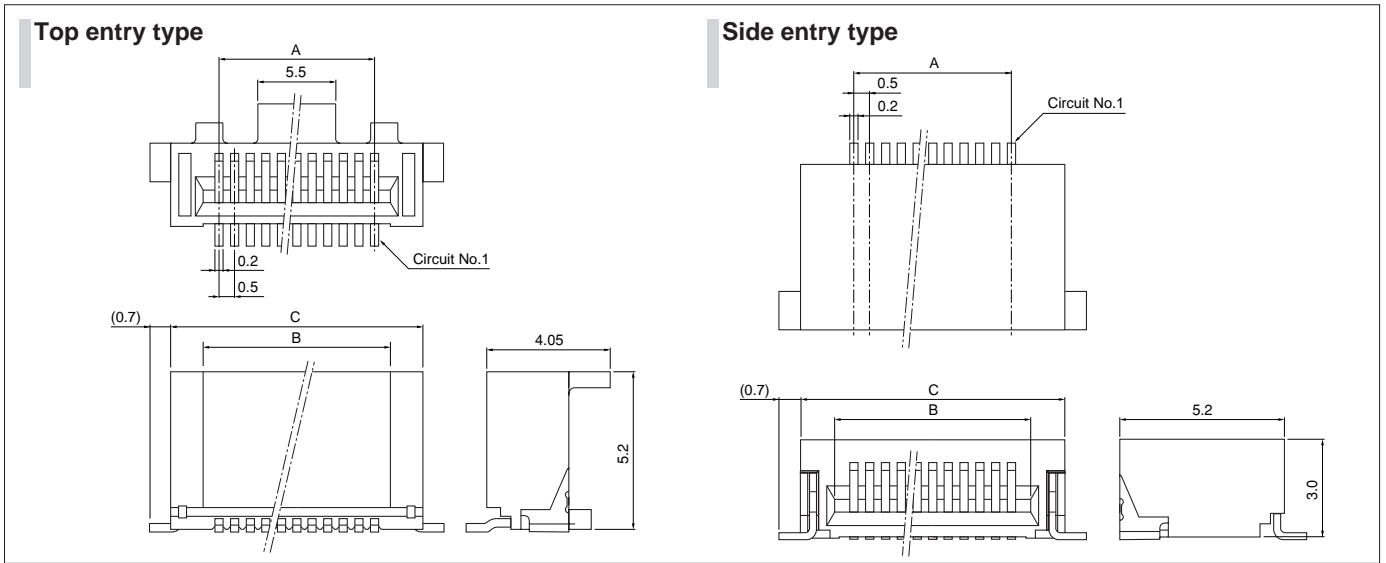


Side entry type



Note: 1. Tolerances are non-cumulative: ±0.03mm for all centers.
2. The dimensions above should serve as a guideline. Contact JST for details.

Connector



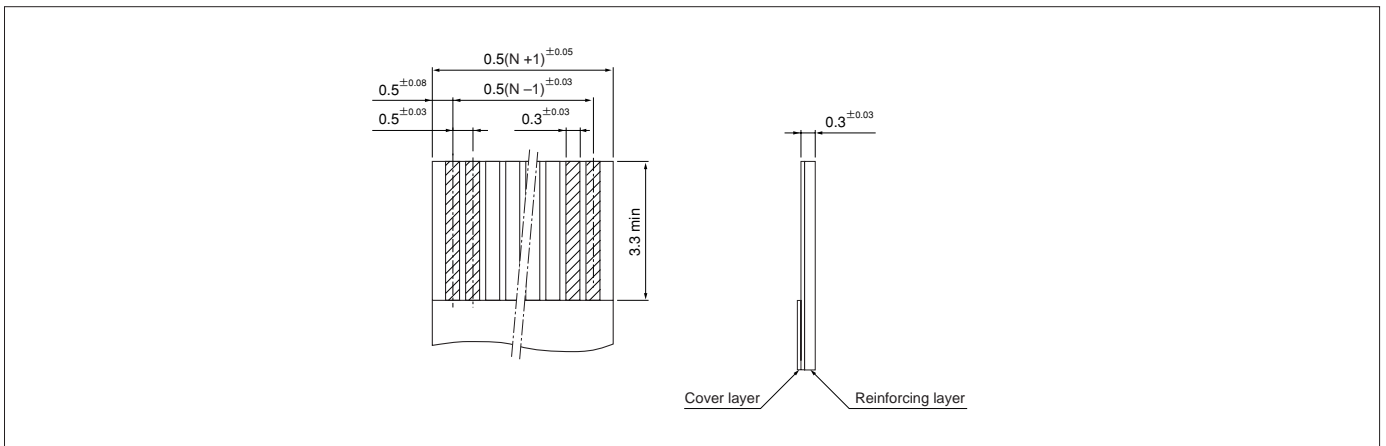
Circuits	Model No.		Dimensions (mm)			Q'ty / reel	
	Top entry type	Side entry type	A	B	C	Top entry type	Side entry type
30	30FY-BMT-TB	30FY-SMT-TF	14.5	15.5	17.7	1,250	2,000
40	40FY-BMT-TB	40FY-SMT-TF	19.5	20.5	22.7	1,250	2,000
50	50FY-BMT-TB	50FY-SMT-TF	24.5	25.5	27.7	1,250	2,000

Material and Finish

Contact: Phosphor bronze, copper-undercoated, tin-plated (reflow treatment)
 Housing: PPS, UL94V-0
 Solder tab: Brass, copper-undercoated, tin-plated (reflow treatment)

RoHS compliance This product displays (LF)(SN) on a label.

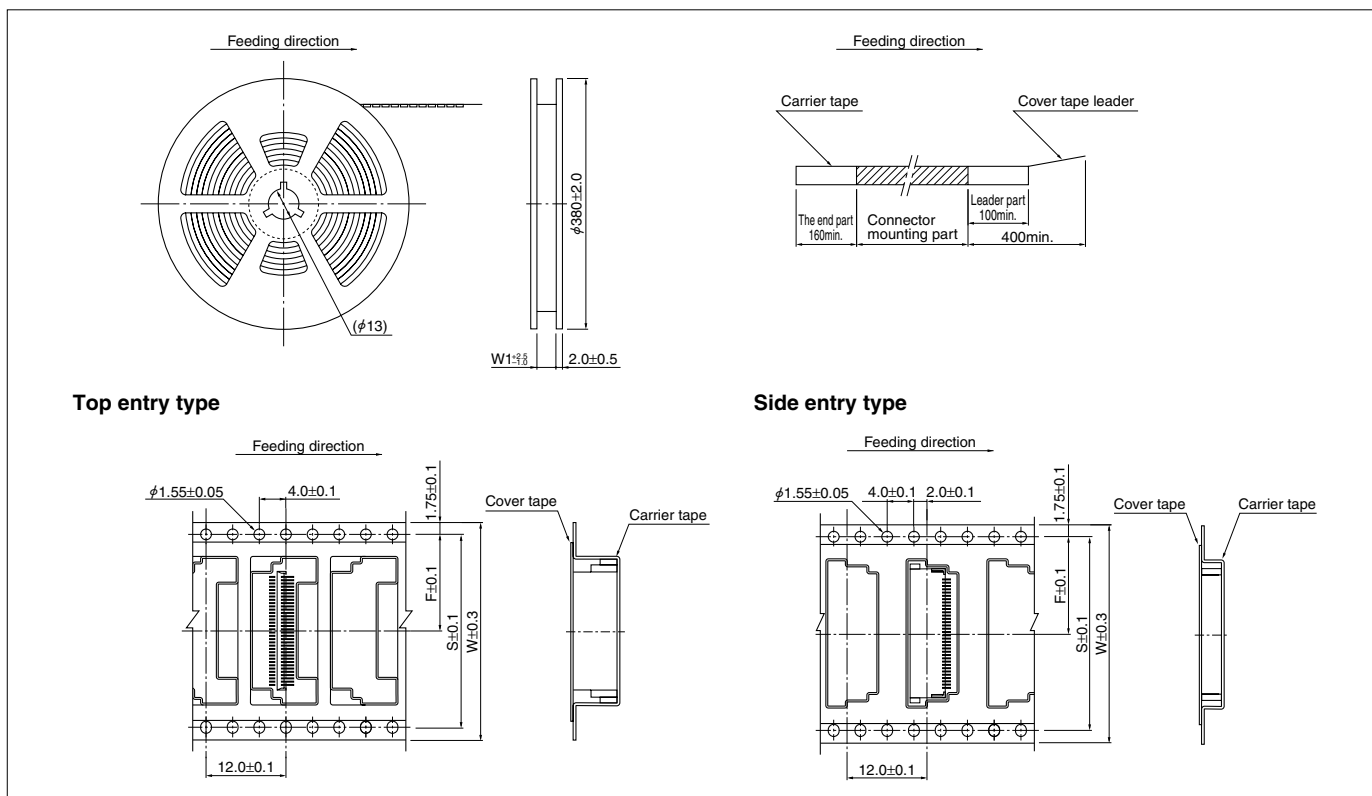
Lead section dimensions of FFC



Note: N --- Number of circuits

FY CONNECTOR

Taping specifications



Circuits	Taping dimensions (mm)			Reel dimensions (mm)
	F	S	W	W1
30	14.2	28.4	32.0	33.5
40, 50	20.2	40.4	44.0	45.5

Note:

1. Specifications conform to JIS C 0806. The tape width, connector loading recess square hole dimensions, etc. are determined by the number of circuits and external shape of the connector to be loaded.
2. Specifications are subject to change without prior notice.