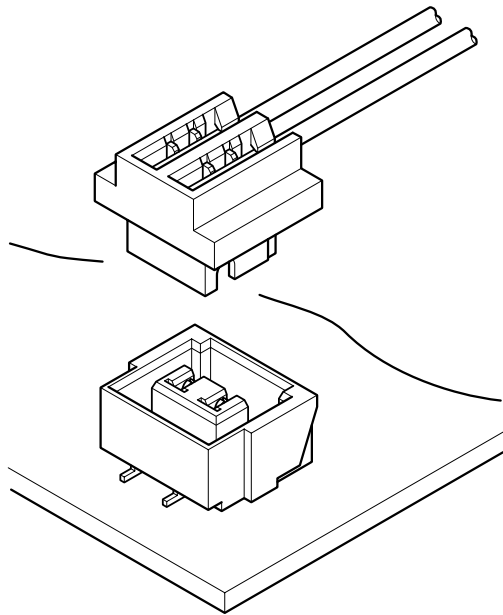


ASR CONNECTOR



1.0mm pitch/Disconnectable Insulation displacement connectors



- **Compact**
- **Twin U-slot insulation displacement section**
- **3-point grip construction**
- **Header designed for vacuum pick and place robotics**

Specifications

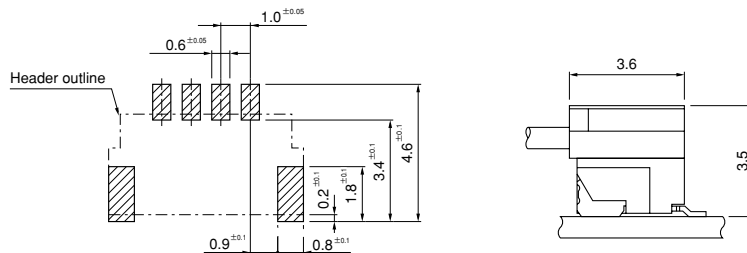
- Current rating: 0.7A DC
- Voltage rating: 50V DC
- Temperature range: -25°C to +85°C
(including temperature rise in applying electrical current)
- Contact resistance: Initial value/30m Ω max.
After environmental testing/40m Ω max.
- Insulation resistance: 100M Ω min.
- Withstanding voltage: 500V AC/minute
- Applicable wire: Conductor size/AWG #30
Conductor/7 strands,
tin-coated annealed copper
Insulation O.D./0.54 to 0.58mm
- * RoHS compliant products are published.
- * Refer to "General Instruction and Notice when using Terminals and Connectors" at the end of this catalog.
- * Contact JST for details.

Standards

Recognized E60389

Certified LR20812

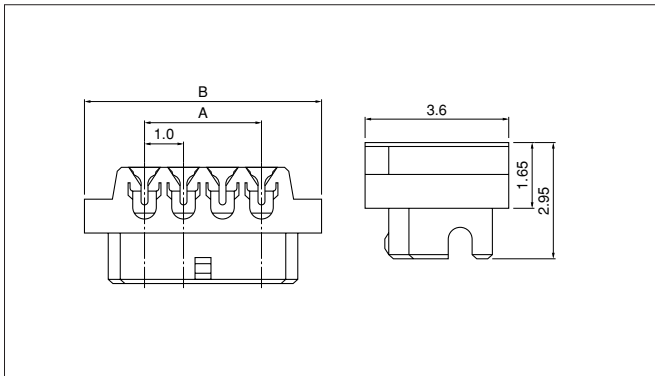
PC board layout (viewed from component side) and Assembly layout



Note: 1. Tolerances are non-cumulative: $\pm 0.05\text{mm}$ for all centers.
2. The dimensions above should serve as a guideline. Contact JST for details.

ASR CONNECTOR

Receptacle



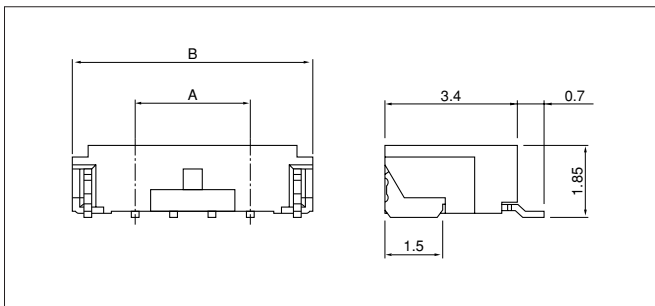
Circuits	Model No.	Dimensions (mm)		Qty / box
		A	B	
2	02ASR-30S	1.0	4.0	3,000
3	03ASR-30S	2.0	5.0	3,000
4	04ASR-30S	3.0	6.0	3,000

Material and Finish

Contact: Phosphor bronze, tin-plated (reflow treatment)
Housing: Glass-filled PA 66, UL94V-0, natural

RoHS compliance

Shrouded header



Circuits	Model No.	Dimensions (mm)		Qty / reel
		A	B	
2	BM02B-ASRS-TF	1.0	4.4	3,500
3	BM03B-ASRS-TF	2.0	5.4	3,500
4	BM04B-ASRS-TF	3.0	6.4	3,500

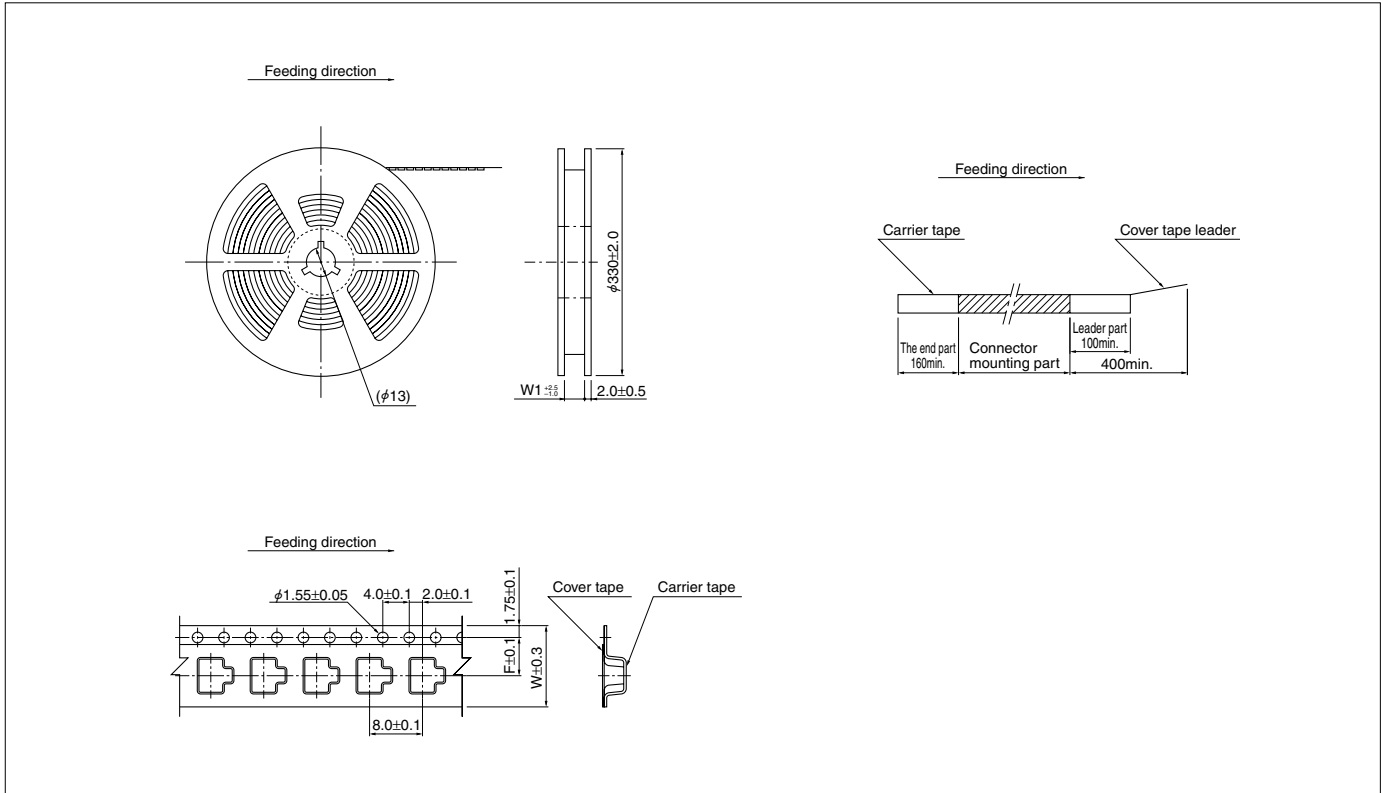
Material and Finish

Contact: Phosphor bronze, copper-undercoated, tin-plated (reflow treatment)
Wafer: PA 6T, UL94V-0, natural
Solder tab: Brass, copper-undercoated, tin-plated (reflow treatment)

RoHS compliance This product displays (LF)(SN) on a label.
Note: The products listed above are supplied on embossed-tape.

ASR CONNECTOR

Taping specifications



Circuits	Dimensions (mm)		Reel dimensions (mm)		Q'ty / reel
	F	W	W1		
2, 3	5.5	12.0	13.5		3,500
4	7.5	16.0	17.5		3,500

Note:

- Specifications conform to JIS C 0806. The tape width, connector recess hole dimensions, etc. are determined by the number of circuits and external shape of the connector to be loaded.
- Specifications are subject to change without prior notice.