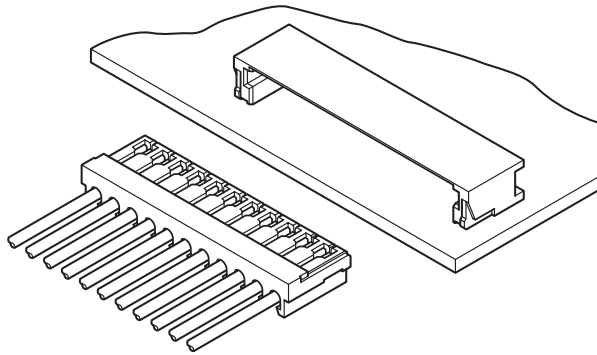


# SSR CONNECTOR

1.0mm pitch/Disconnectable Insulation displacement connectors



- **Compact**
- **Twin U-slot insulation displacement section**
- **3-point grip construction**
- **Header designed for vacuum pick and place robotics**

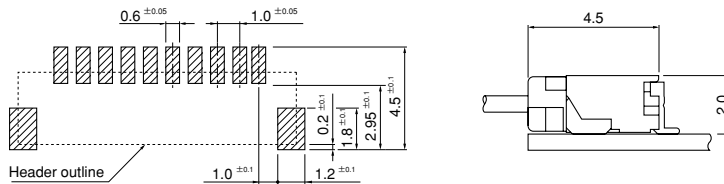
## Specifications

- Current rating: 0.5A AC, DC
  - Voltage rating: 50V AC, DC
  - Temperature range: -25°C to +85°C  
(including temperature rise in applying electrical current)
  - Contact resistance: Initial value/20m Ω max.  
After environmental testing/40m Ω max.
  - Insulation resistance: 100M Ω min.
  - Withstanding voltage: 500V AC/minute
  - Applicable wire: Conductor size/AWG #32  
Conductor/7 strands,  
tin-coated annealed copper  
Insulation O.D./0.52 to 0.56mm
- \* RoHS compliant products are published.  
\* Refer to "General Instruction and Notice when using Terminals and Connectors" at the end of this catalog.  
\* Contact JST for details.

## Standards

- Ⓜ Recognized E60389
- Ⓢ Certified LR20812

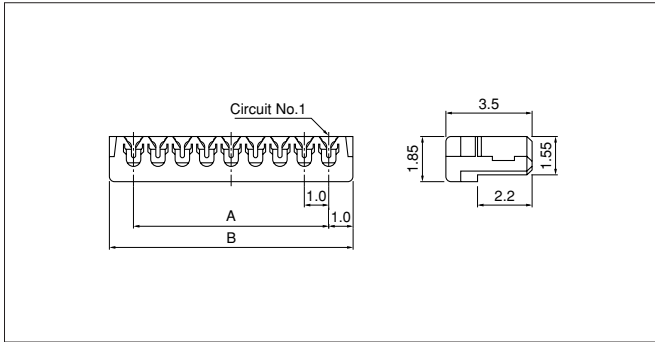
### PC board layout (viewed from component side) and Assembly layout



- Note: 1. Tolerances are non-cumulative:  $\pm 0.05\text{mm}$  for all centers.  
2. The dimensions above should serve as a guideline. Contact JST for details.

# SSR CONNECTOR

## Receptacle



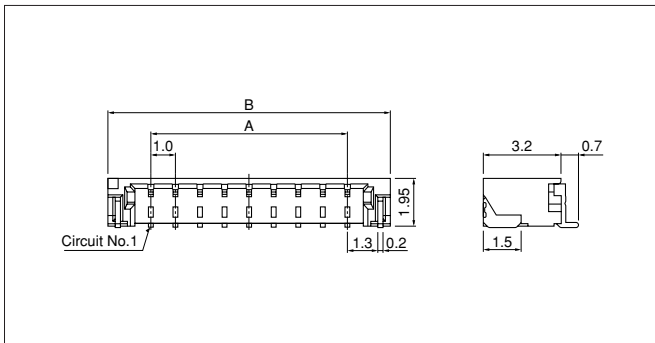
Circuits	Model No.	Dimensions (mm)		Q'ty / box
		A	B	
2	<b>02SSR-32H</b>	1.0	3.0	2,000
3	<b>03SSR-32H</b>	2.0	4.0	2,000
4	<b>04SSR-32H</b>	3.0	5.0	2,000
5	<b>05SSR-32H</b>	4.0	6.0	2,000
6	<b>06SSR-32H</b>	5.0	7.0	2,000
8	<b>08SSR-32H</b>	7.0	9.0	2,000
9	<b>09SSR-32H</b>	8.0	10.0	2,000
10	<b>10SSR-32H</b>	9.0	11.0	2,000
11	<b>11SSR-32H</b>	10.0	12.0	2,000
12	<b>12SSR-32H</b>	11.0	13.0	2,000
13	<b>13SSR-32H</b>	12.0	14.0	2,000
14	<b>14SSR-32H</b>	13.0	15.0	2,000

### Material and Finish

Contact: Phosphor bronze, tin-plated (reflow treatment)  
Housing: PA 46, UL94V-0, gray

### RoHS compliance

## Shrouded header



Circuits	Model No.	Dimensions (mm)		Q'ty / reel
		A	B	
2	<b>SM02B-SSR-H-TB</b>	1.0	4.6	4,500
3	<b>SM03B-SSR-H-TB</b>	2.0	5.6	4,500
4	<b>SM04B-SSR-H-TB</b>	3.0	6.6	4,500
5	<b>SM05B-SSR-H-TB</b>	4.0	7.6	4,500
6	<b>SM06B-SSR-H-TB</b>	5.0	8.6	4,500
8	<b>SM08B-SSR-H-TB</b>	7.0	10.6	4,500
9	<b>SM09B-SSR-H-TB</b>	8.0	11.6	4,500
10	<b>SM10B-SSR-H-TB</b>	9.0	12.6	4,500
11	<b>SM11B-SSR-H-TB</b>	10.0	13.6	4,500
12	<b>SM12B-SSR-H-TB</b>	11.0	14.6	4,500
13	<b>SM13B-SSR-H-TB</b>	12.0	15.6	4,500
14	<b>SM14B-SSR-H-TB</b>	13.0	16.6	4,500

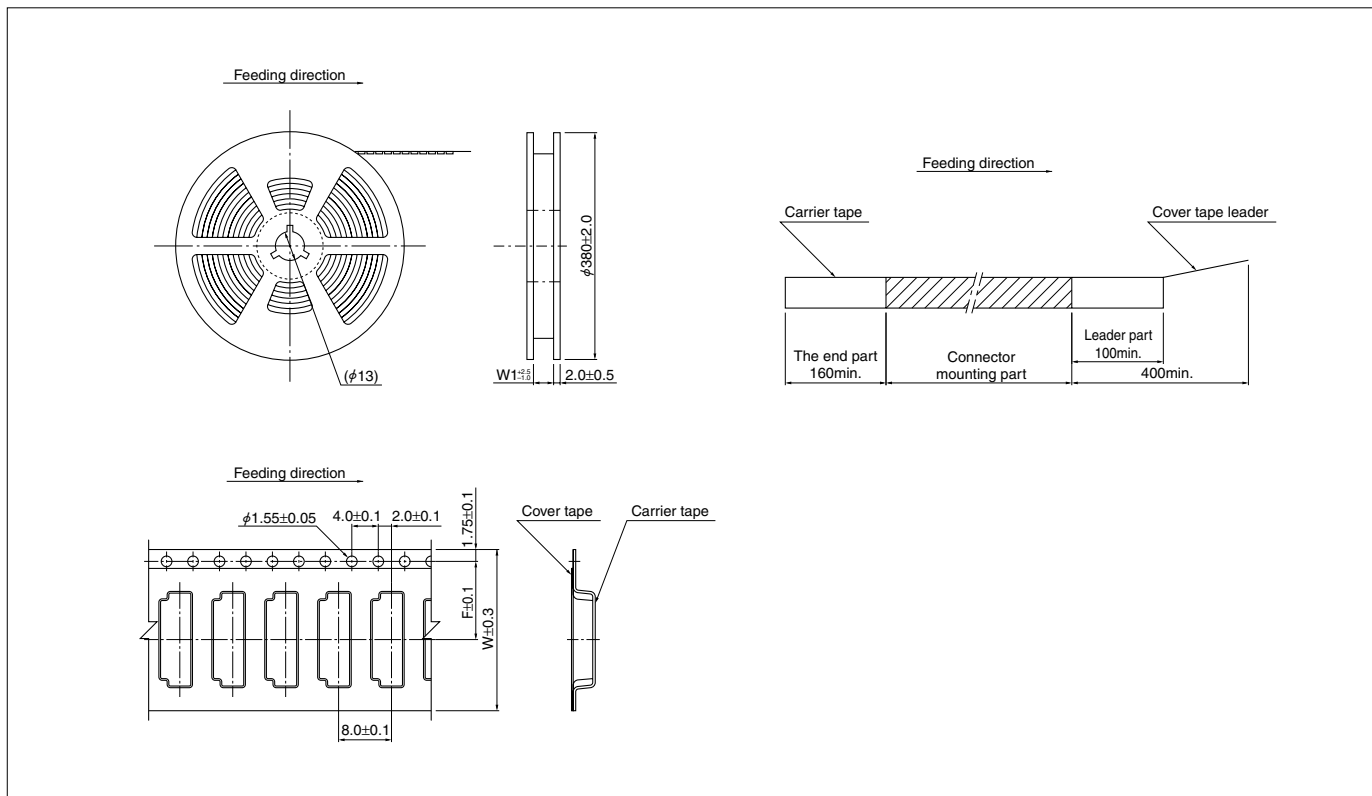
### Material and Finish

Contact: Copper-alloy, copper-undercoated, tin-plated (reflow treatment)  
Wafer: PA, UL94V-0, gray  
Solder tab: Brass, copper-undercoated, tin-plated (reflow treatment)

**RoHS compliance** This product displays (LF)(SN) on a label.  
Note: The products listed above are supplied on embossed-tape.

# SSR CONNECTOR

## Taping specifications



Circuits	Dimensions (mm)		Reel dimensions (mm)		Q'ty / reel
	F	W	W1		
2	5.5	12.0	13.5		4,500
3 to 6	7.5	16.0	17.5		4,500
8 to 14	11.5	24.0	25.5		4,500

- Note:
- Specifications conform to JIS C 0806. The tape width, connector recess hole dimensions, etc. are determined by the number of circuits and external shape of the connector to be loaded.
  - Specifications are subject to change without prior notice.