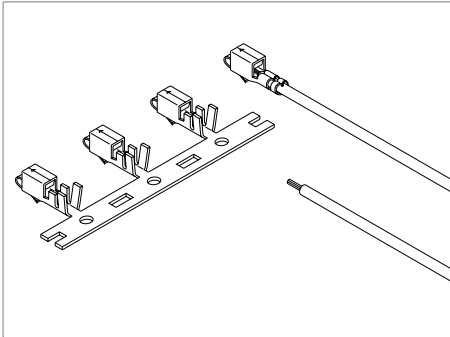
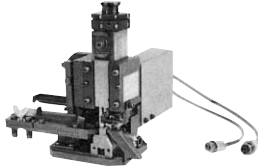


The arrow mark indicates the press that is applicable to the applicator.



**Strip-crimp applicator for side feeding terminals**

MKS-SC



**Crimping applicator for end-feeding terminals**

MK-L



**Fully automatic crimping machine**

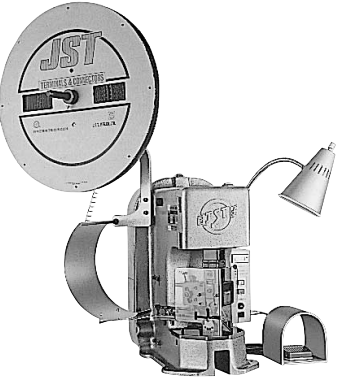
ATM-5



**Semi-automatic press**

Semi-automatic crimping machines (presses) contact a wire to a chain terminal each time a footswitch is pressed.

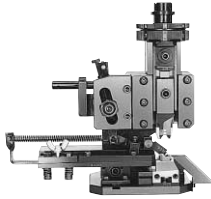
AP-K2N



- Dimensions:  
(W x L x H)280 x 480 x 505mm  
(11.0" x 18.9" x 19.9")
- Weight:  
Approx. 90kg(198lb)
- Power source:  
100/115/220/240 AC, 50/60Hz
- Pressure output:  
14.7kN(1,500kg(3307lb))
- Dies:  
Applicator replacement

**Crimping applicator for side-feeding terminals**

MKS-L



**Crimping applicator for end-feeding flag terminals**

MKF-L



**Compact crimping applicator for side-feeding terminals**

MKS-LS

