

D SUBMINIATURE JK SERIES

Crimp style plug and socket

CRIMP STYLE PLUG AND SOCKET



Crimp style plug

Pin contact



Crimp style socket

Socket contact

Features

- The dimples in the shell provide the ground connection and are an important factor in preventing electromagnetic interference.
- The contact has a retention lance that makes assembly to the housing smooth and secure.

Standards

UL Recognized E60389 CE Certified LR20812

- * RoHS compliant products are published.
- * Refer to "General Instruction and Notice when using Terminals and Connectors" at the end of this catalog.
- * Contact JST for details.

Specifications

Materials

Connector	Part name	Material and Finish
Plug	Contact	Brass, nickel-undercoated, Mating part; gold-plated Crimping part; tin-plated (reflow treatment)
	Insulator	Glass-filled PBT, UL94V-0, black
	Shell	Steel, copper-undercoated, nickel-plated
Socket	Contact	Phosphor bronze, nickel-undercoated, Mating part; gold-plated Crimping part; tin-plated (reflow treatment)
	Insulator	Glass-filled PBT, UL94-0, black
	Shell	Steel, copper-undercoated, nickel-plated

Characteristics

Current rating	1.0A, AC, DC(AWG #24)
Voltage rating	250V AC, DC
Temperature range	-40°C to +85°C (including temperature rise in applying electrical current)
Contact resistance	Initial value/15mΩ max. After environmental testing/30mΩ max.
Insulation resistance	5,000MΩ min.
Withstanding voltage	1,000V AC/minute

Note: Contact JST for details.

Model number identification

Contact

- JK - S P 2 1 40**
- Series name
 - Product shape: S ... Chain, B ... Loose piece
 - Type of contact: P ... Pin contact, S ... Socket contact
 - Applicable wire: 2 ... AWG #28 to #24
 - Material: 1 ... Brass(Pin contact), 3 ... Phosphor bronze(Socket contact)
 - Finish of mating part
 - 40 ... Gold-plated (flash) 42 ... 0.2micron gold-plated
 - 43 ... 0.4micron gold-plated 43 ... 0.76micron gold-plated

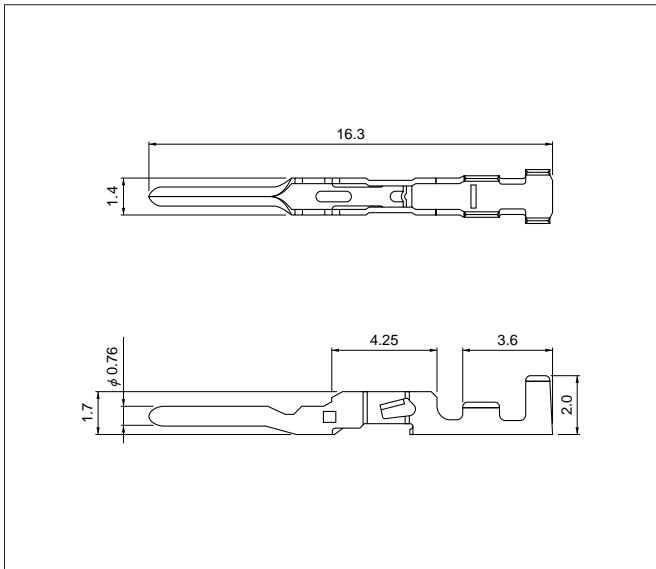
Note: Contact JST for special plating requirements.

Housing

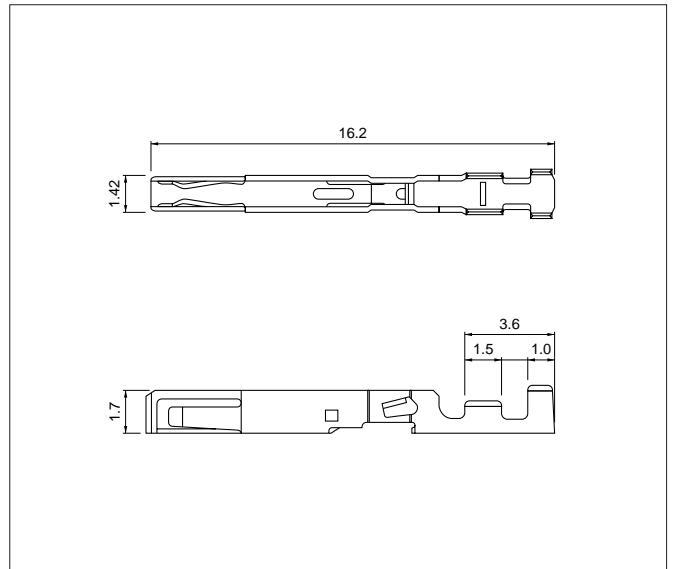
- K E C - 15 P - 3**
- Series name
 - Shell size: E
 - Wire connection style: C ... Crimp style
 - Number of circuits: 15
 - Connector type: P ... Plug, S ... Socket
 - Plating specification of shell: 3 ... Copper-undercoated, nickel-plated

D SUBMINIATURE CONNECTOR JK SERIES

Pin contact (for plug housing)



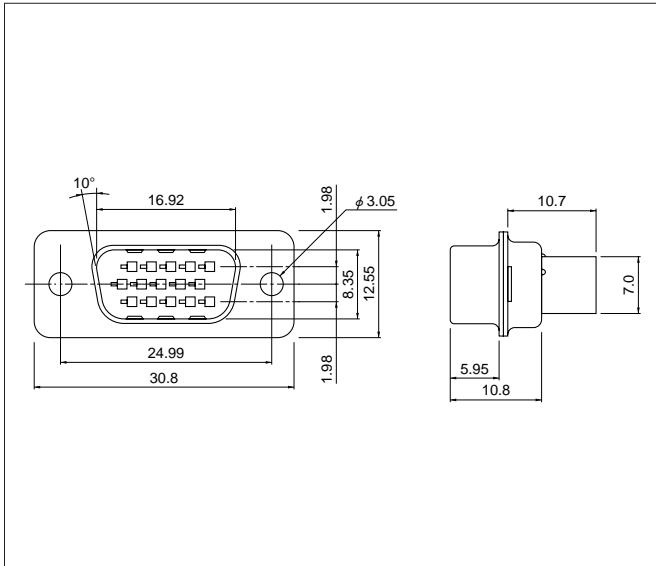
Socket contact (for socket housing)



Model No.		Finish at mating part	Applicable wire		Q'ty / box
Pin contact	Socket contact		AWG #	Insulation O.D. (mm)	
JK-SP2140	JK-SS2340	Gold-plated (flash)	28 ~ 24	0.9 ~ 1.4	10,000
JK-SP2144	JK-SS2344	Gold-plated 0.76micron			

RoHS compliance This product displays (LF)(SN) on a label.

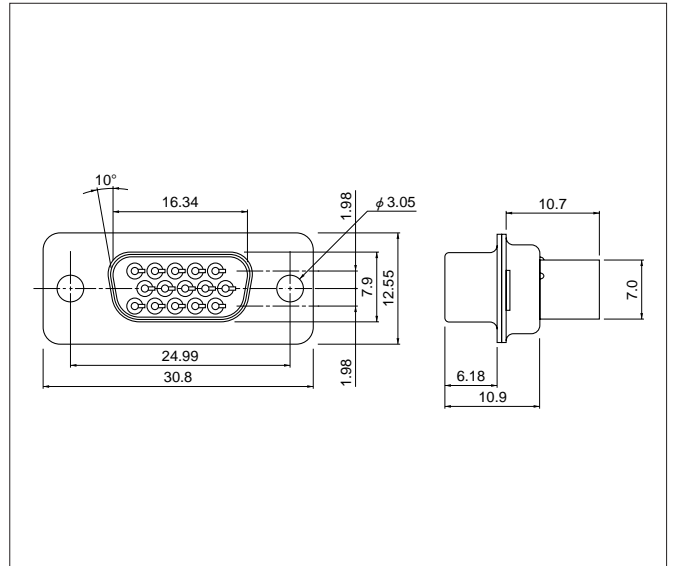
Plug housing



Circuits	Model No.	Q'ty / box
15	KEC-15P-3	100

RoHS compliance

Receptacle housing



Circuits	Model No.	Q'ty / box
15	KEC-15S-3	100

RoHS compliance

Crimping machine, Applicator

Contact	Crimping machine	Applicator		
		Crimp applicator	Dies	Crimp applicator with dies
J-SP2***	AP-K2N	MKS-L	MK/JK-SP/SS2	APLMK JK-SP/SS2
		*MKS-SC-JK	SC/JK-SP/SS2	APLSC JK-SP/SS2
J-SS2***		MKS-L	MK/JK-SP/SS2	APLMK JK-SP/SS2
		*MKS-SC-JK	SC/JK-SP/SS2	APLSC JK-SP/SS2

Note: *Strip-crimp applicator



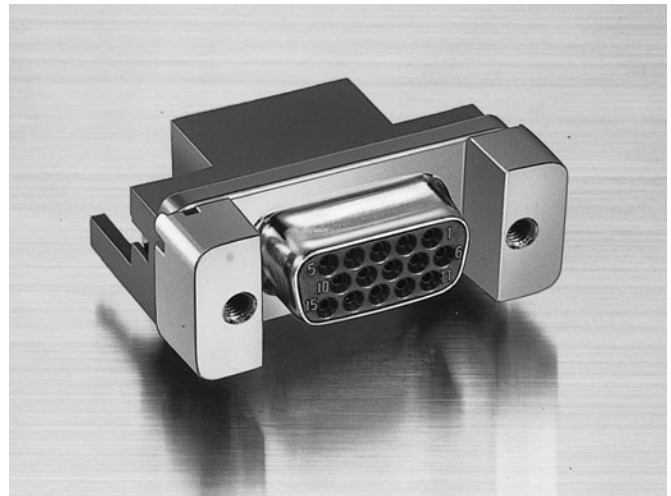
D SUBMINIATURE JK SERIES

Right angle through-hole plug and socket

RIGHT ANGLE THROUGH-HOLE SOCKET



(with hexagonal lock screw blocks)



(with rectangular lock screw blocks)

Features

- The mating section of the contact has a twin-contact style construction with uniform elasticity to ensure a reliable contact even when repeatedly mated and unmated.

- A wide variety of grounding adapters are available so that the receptacle can be grounded to the circuitry of a printed circuit board to prevent electromagnetic interference.

Standards

Recognized E60389 Certified LR20812

* RoHS compliant products are published.

* Refer to "General Instruction and Notice when using Terminals and Connectors" at the end of this catalog.

* Contact JST for details.

Specifications

Materials

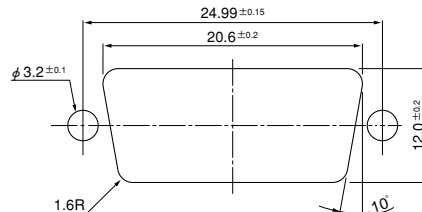
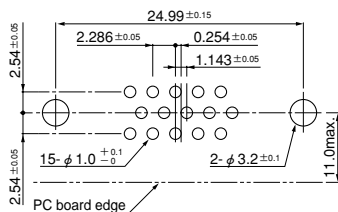
Part name	Material and Finish
Contact	Phosphor bronze, nickel-undercoated, Mating part; gold-plated Solder tail; tin-plated (reflow treatment)
Insulator	Glass-filled PBT, UL94V-0, black
Shell	Steel, copper-undercoated, nickel-plated
Grounding adapter having a 3.2mm dia. hole	Steel, copper-undercoated, nickel-plated
Grounding adapter having an M3 tapped hole	Steel, copper-undercoated, nickel-plated
Grounding adapter having a spring lock device	Brass, nickel-undercoated, tin/copper alloy-plated

Characteristics

Current rating	1.0A, AC, DC
Voltage rating	250V AC, DC
Temperature range	-40°C to +85°C (including temperature rise in applying electrical current)
Contact resistance	Initial value/15mΩ max. After environmental testing/30mΩ max.
Insulation resistance	5,000MΩ min.
Withstanding voltage	1,000V AC/minute
Applicable PC board thickness	1.6mm

Note: Contact JST for details.

PC board layout (viewed from component side)







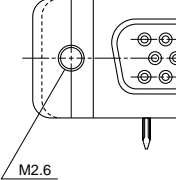
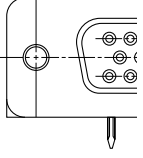
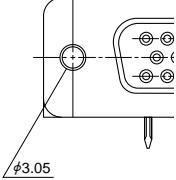
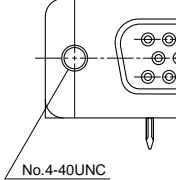
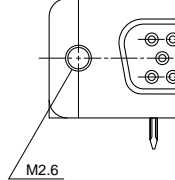
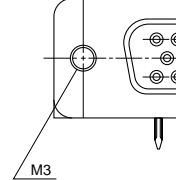


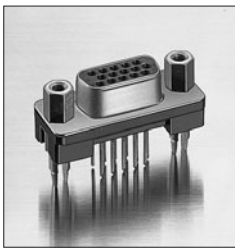
Note: 1. Tolerances are non-cumulative: ±0.05mm for all centers.
2. Hole dimensions differ according to the kind of PC board and piercing method.
The dimensions above should serve as a guideline. Contact JST for details.

D SUBMINIATURE CONNECTOR JK SERIES

Right angle through-hole socket		Type A	Type B										
		With hexagonal lock screw blocks(H: 6.3mm) having a No.4-40UNC inch thread	With hexagonal lock screw blocks(H: 6.3mm) having an M2.6 thread										
<p>H: Height of the lock screw block (for Types A, B & C)</p> <table border="1"> <thead> <tr> <th rowspan="2">Cir- cuits</th> <th colspan="2">Model No.</th> <th rowspan="2">Q'ty / box</th> </tr> <tr> <th>Gold-plated (flash) socket</th> <th>Gold-plated (0.76micron)socket with No.9 hole blocked</th> </tr> </thead> <tbody> <tr> <td>15</td> <td>KEY-15S-2A**</td> <td>KEY-15S-2A**14-23</td> <td>100 (☆)</td> </tr> </tbody> </table> <p>RoHS compliance This product displays (LF)(SN) on a label. Note: ** shows the location where a two-digit code (see the table below for codes) should be entered. For example, if a 15-circuit gold-plated (flash) socket with hexagonal lock screw blocks having a No. 4-40UNC inch thread and without grounding adapters is required, specify the model number as KEY-15S-2A0A. (☆) Type C...60</p>		Cir- cuits	Model No.		Q'ty / box	Gold-plated (flash) socket	Gold-plated (0.76micron)socket with No.9 hole blocked	15	KEY-15S-2A**	KEY-15S-2A**14-23	100 (☆)		
Cir- cuits	Model No.		Q'ty / box										
	Gold-plated (flash) socket	Gold-plated (0.76micron)socket with No.9 hole blocked											
15	KEY-15S-2A**	KEY-15S-2A**14-23	100 (☆)										
Without grounding adapters		0A	0B										
With grounding adapters with a 3.2mm dia. hole		1A	1B										
With grounding adapters with an M3 thread		2A	2B										
With grounding adapters with a spring lock lever (1)		3A	3B										
With grounding adapters with a spring lock device (2)		—	—										

D SUBMINIATURE CONNECTOR JK SERIES

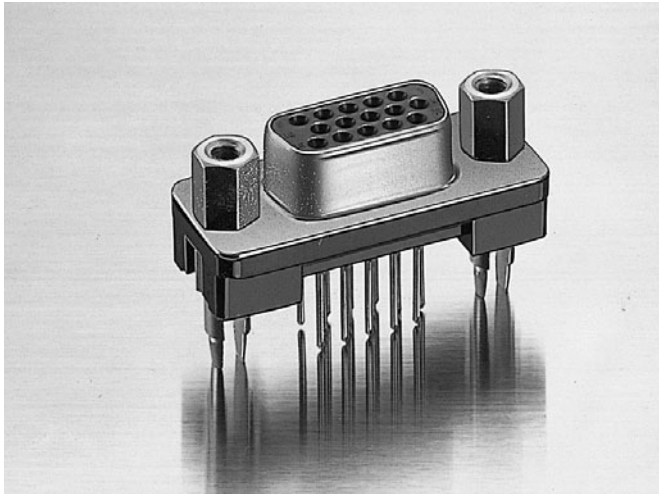
Type C	Type D	Type E	Type F	Type G	Type H
					
With rectangular lock screw blocks (H: 6.2mm) having an M2.6 thread	Without lock screw blocks	Without lock screw blocks E: Grounding adapter has no thread. F, G, H: Grounding adapters have a thread (*1) for securing separately-purchased lock screw blocks (*2)			
		Used a lock screw block [model number KFS-()S-C1N]	*1: No.4-40UNC inch thread *2: Model number KFS-4S-()1W(M)	*1: M2.6 thread *2: Model number KFS-2.6S-()1W(M)	*1: M3 thread *2: Model number KFS-3S-()1W(M)
					
0C	0D	—	—	—	—
1C	1D	1E	1F	1G	—
2C	2D	2E	2F	2G	—
3C	3D	3E	3F	3G	—
—	—	—	—	—	4H



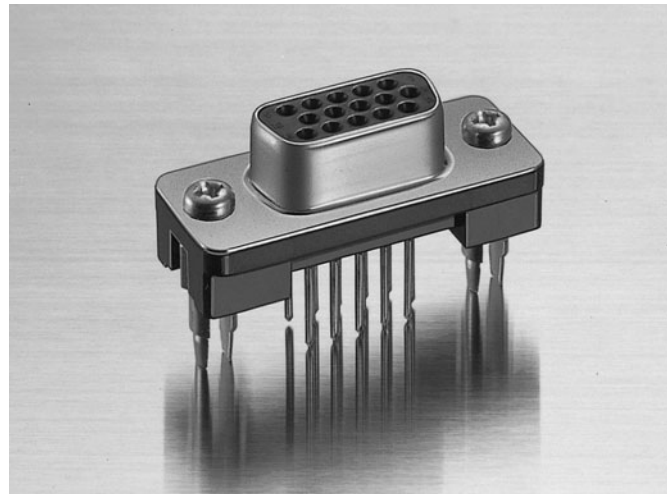
D SUBMINIATURE JK SERIES

Straight through-hole socket

STRAIGHT THROUGH-HOLE SOCKET



(with hexagonal lock screw blocks)

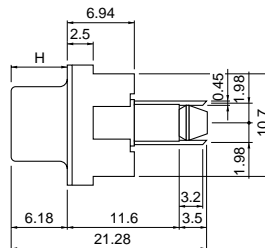
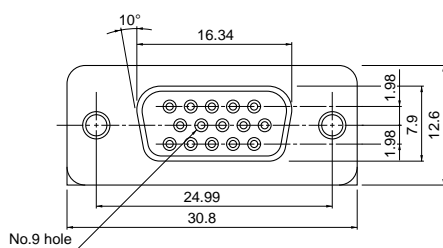


(without lock screw blocks)

Features

- The mating section of the contact has a twin-contact style construction with uniform elasticity to ensure a reliable contact even when repeatedly mated and unmated.
- A grounding adapter with a spring lock device allows the connector to be temporarily secured on the printed circuit board so that the connector can be soldered easily.

Straight through-hole socket



H: Height of the lock screw block (for Types A & B)

Cir- cuits	Model No.		Q'ty / box
	Gold-plated (flash) socket	Gold-plated (0.76micron)socket with No.9 hole blocked	
15	KES-15S-2A**	KES-15S-2A**14-23	100

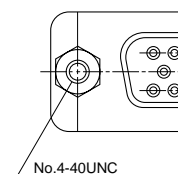
RoHS compliance This product displays (LF)(SN) A on a label.

Note: ** shows the location where a two-digit code (see the table below for codes) should be entered. For example, if a 15-circuits gold-plated (flash) socket with hexagonal lock screw blocks having a No. 4-40UNC inch thread and with grounding adapters having a spring lock device is required, specify the model number as KES-15S-2A3A.

Type A



With hexagonal lock screw blocks (H: 6.3mm) having a No.4-40UNC inch thread



With grounding adapters with a spring lock device



3A

D SUBMINIATURE CONNECTOR JK SERIES

Standards

Recognized E60389 Certified LR20812

- * RoHS compliant products are published.
- * Refer to "General Instruction and Notice when using Terminals and Connectors" at the end of this catalog.
- * Contact JST for details.

Specifications

Materials

Part name	Material and Finish
Contact	Phosphor bronze, nickel-undercoated, Mating part: gold-plated Solder tail; tin-plated (reflow treatment)
Insulator	Glass-filled PBT, UL94V-0, black
Shell	Steel, copper-undercoated, nickel-plated
Grounding adapter	Brass, nickel-undercoated, tin/copper alloy-plated

Characteristics

Current rating	1.0A, AC, DC
Voltage rating	250V AC, DC
Temperature range	-40°C to +85°C (including temperature rise in applying electrical current)
Contact resistance	Initial value/15mΩ max. After environmental testing/30mΩ max.
Insulation resistance	5,000MΩ min.
Withstanding voltage	1,000V AC/minute
Applicable PC board thickness	1.6mm

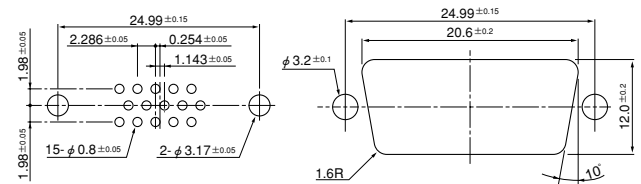
Note: Contact JST for details.

Model number identification

Series name	K E S - 15 S - 2A 3 A 14 - 23
Shell size: E	
Wire connection type: S ... Straight through-hole type	
Number of circuits: 15	
Connector type: S ... Socket	
Connector construction/dimensions: Standard JK series straight through-hole type	
Type of grounding adapters 3 ... With grounding adapters having a spring lock device	
Type of lock screw blocks	
A ... With hexagonal lock screw blocks having a No. 4-40UNC inch thread	
B ... With hexagonal lock screw blocks having an M2.6 thread	
D ... Without lock screw blocks	
F ... Without lock screw blocks, but with grounding adapters having a No. 4-40UNC inch thread	
G ... Without lock screw blocks, but with grounding adapters having an M2.6 thread	
H ... Without lock screw blocks, but with grounding adapters having an M3 thread	
Finish of mating part	
Blank ... Gold-plated (flash)	12 ... 0.2micron gold-plated
13 ... 0.4micron gold-plated	14 ... 0.76micron gold-plated
Blocked hole for keying ... Blank: all holes open, 23: #9 hole blocked	

Note: Contact JST for special plating requirements.

PC board layout (viewed from component side) and Panel layout



- Note: 1. Tolerances are non-cumulative: ±0.05mm for all centers.
2. Hole dimensions differ according to the kind of PC board and piercing method.
The dimensions above should serve as a guideline. Contact JST for details.

Type B	Type D	Type F	Type G	Type H
With hexagonal lock screw blocks (H: 6.3mm) having an M2.6 thread	Without lock screw blocks	Without lock screw blocks F, G, H: Grounding adapters have a thread (*1) for securing separately-purchased lock screw blocks (*2)		
		*1: No.4-40UNC inch thread *2: Model number JFS-4S-()1W(M)	*1: M2.6 thread *2: Model number JFS-2.6S-()1W(M)	*1: M3 thread *2: Model number JFS-3S-()1W(M)
3B	3D	3F	3G	3H



D SUBMINIATURE CONNECTOR J&JK SERIES

Accessories/EMI prevention shielding cover (J cover)

J COVER



J cover



Features

- This shielding cover is made of steel, formed by our advanced stamping technology, and nickel-plated.
 - The box-shaped cover completely encloses such EMI radiating areas as the connections between the connector and wires. The result is a superior shielding effect.
 - To install the shielding cover, simply align and press the upper and lower cover elements, then tighten the nuts. It then securely grips the round cables.
 - This cover is so compact, light and sturdy, that it can be used to cover the connectors of any input/output cable. Moreover, it is attractive in appearance.
- * RoHS compliant products are published.
 * Refer to "General Instruction and Notice when using Terminals and Connectors" at the end of this catalog.
 * Contact JST for details.

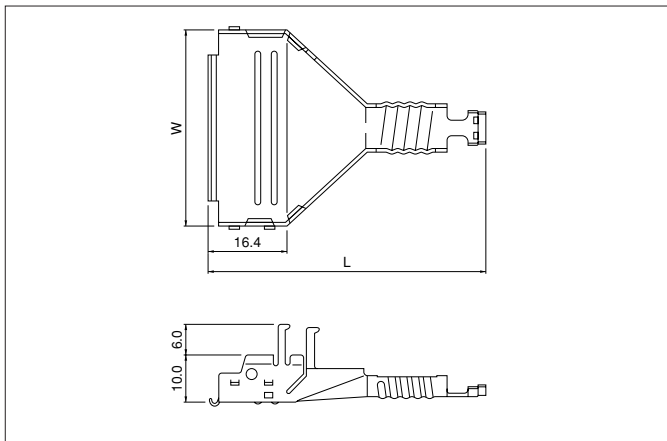
Standards

Recognized E60389

Applicable cable dimensions

Circuits	J series	9	15	25	37
	JK series	15	—	—	—
Cable outer diameter (mm)	7.0 ±0.2		8.0 ±0.2		10.0 ±0.2

Shielding cover A



J series		JK series		Dimensions (mm)		Qty / box
Circuits	Model No.	Circuits	Model No.	W	L	
9	J-SC9A	15	JK-SC15A	19.4	42.0	200
15	J-SC15A	—	—	27.6	46.9	150
25	J-SC25A	—	—	41.4	57.0	100
37	J-SC37A	—	—	57.8	70.6	125

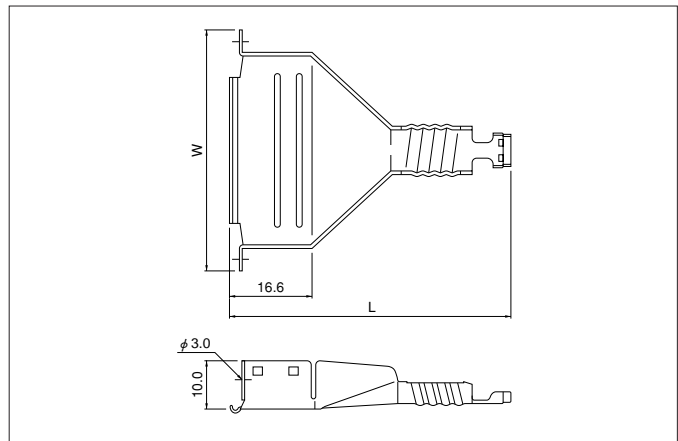
Material and Finish

Steel, copper- undercoated, nickel-plated

RoHS compliance

Note: The cover of the JK series 15-circuit connector is the same as that of the J series 9-circuit connector, except for the number of circuits indicated.

Shielding cover B



Circuits		Model No.	Dimensions (mm)		Qty / box
J series	JK series		W	L	
9	15	J-SC9B	30.0	(42.0)	200
15	—	J-SC15B	38.0	(46.9)	150
25	—	J-SC25B	52.0	(57.0)	150
37	—	J-SC37B	68.0	(70.6)	100

Material and Finish

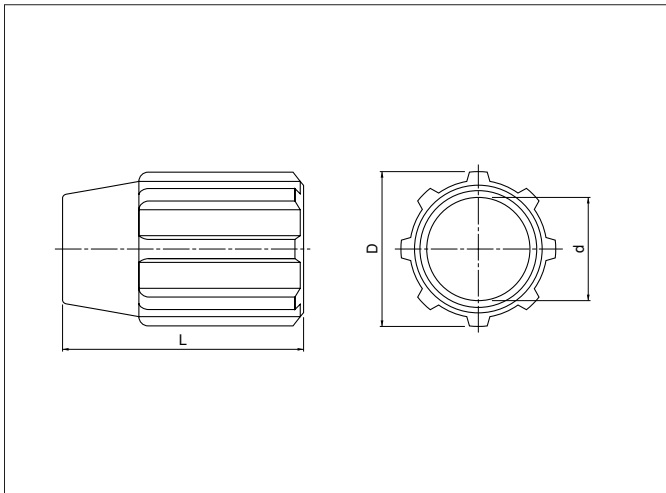
Steel, copper-undercoated, nickel-plated

RoHS compliance

Note: The cover of the JK series 15-circuit connector is the same as that of the J series 9-circuit connector.

D SUBMINIATURE CONNECTOR J&K SERIES

Cover nut



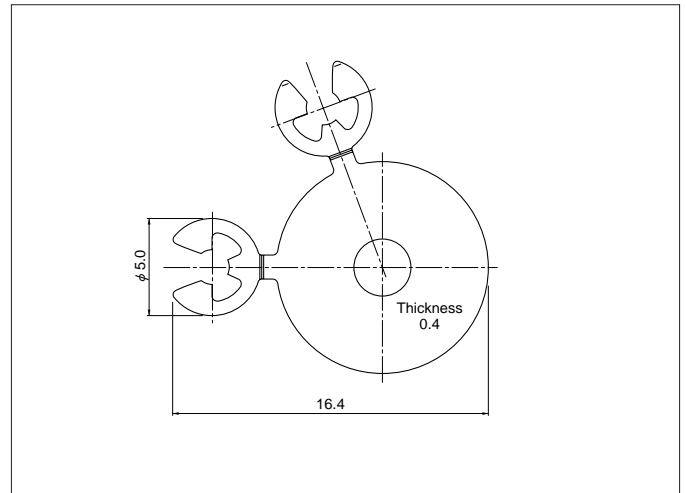
Circuits	Model No.	D	d	L	Q'ty / box
9	J-CN9 · 15	13.6	7.2	19.0	1,000
15					
25	J-CN25	16.4	8.4	25.0	1,000
37	J-CN37	18.8	10.4	28.0	1,500

Material

Glass-filled, PBT, UL94V-0, black

RoHS compliance

E-ring



Model No.	Q'ty / box
J-ER	5,000
Material	
Stainless steel	

RoHS compliance

Note: The cover nuts, lock screws and E-rings are used with both the J and JK series connectors.

Lock screw

No.4-40UNC (Inch thread)	M2.6 (Metric thread)	M3 (Metric thread)

Type of screw	Model No.	Q'ty / box
No.4-40UNC (Inch thread)	J-SL-1C	5,000
M2.6 (Metric thread)	J-SL-2C	5,000
M3 (Metric thread)	J-SL-3C	5,000

Material and Finish

Steel, copper-undercoated, nickel-plated

RoHS compliance

Use the following Model Nos. when ordering J-covers as a set.

J series		JK series		Parts in one set	Q'ty / box
Circuits	Model No.	Circuits	Model No.		
9	J-C9-()C	15	JK-C15-()C	Shielding cover A 1 pc.	25
15	J-C15-()C	—	—	Shielding cover B 1 pc.	25
25	J-C25-()C	—	—	Cover nut 1 pc.	20
37	J-C37-()C	—	—	Lock screw 2 pcs.	10
				E-ring 1 set	

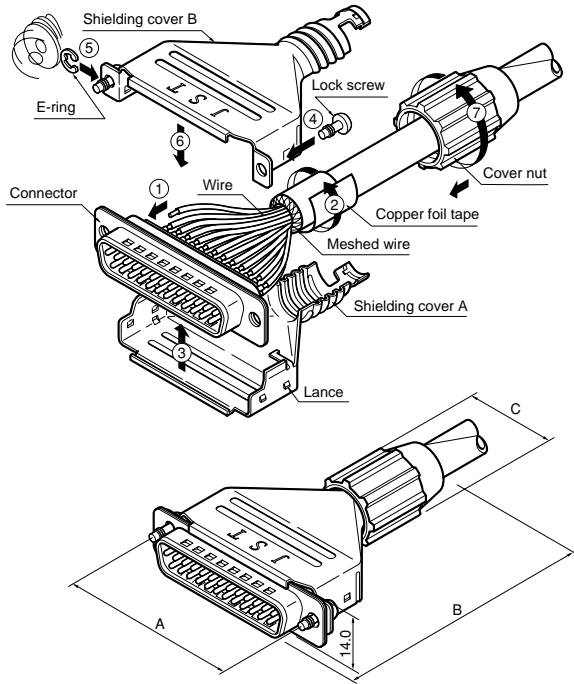
RoHS compliance

Note: In the above lock screw model numbers, the number in parentheses indicates the type of screw-1: Inch thread (No.4-40UNC), 2: Metric thread (M2.6), 3: Metric thread (M3).

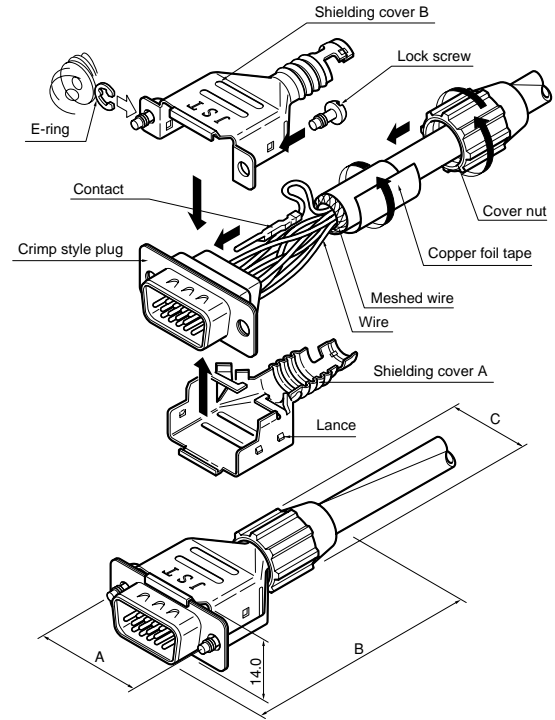
D SUBMINIATURE CONNECTOR J&K SERIES

J-cover assembly procedure

J series



JK series



Assembly procedure

1. Connect wires to the connector by soldering or crimping.
2. Fold back the braided shielding wire along the outside insulation and wind the copper foil tape around the shielding wire.
3. Install the connector into shielding cover A.
4. Screw the lock screws onto shielding cover B.
5. Install the E-rings.
6. Align shielding cover B with shielding cover A and press shielding cover B until it engages the lances of shielding cover A.
7. Tighten the cover nut until the predetermined position is reached.

Note: For details of the J-cover assembly procedure, please refer to the processing specifications separately available. The shielding effect of the J-cover is critically dependent on proper assembly.

Dimensions after assembly

Circuits		Dimensions (mm)		
J series	JK series	A	B	C
9	15	24.99	(49.0)	13.6
15	—	33.32	(53.0)	13.6
25	—	47.04	(64.5)	16.4
37	—	63.50	(78.5)	18.9



D SUBMINIATURE J&JK SERIES

Accessories/EMI prevention overmolding cover

MOLD COVER



Features

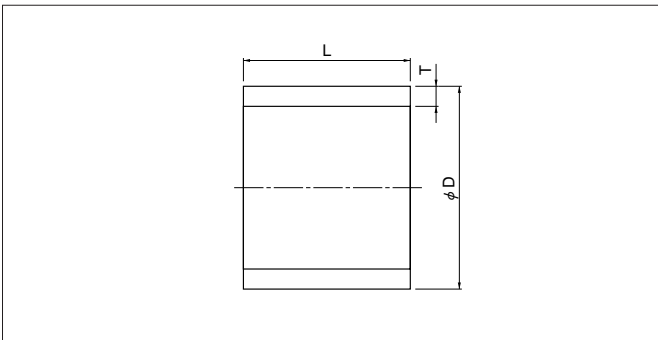
- This cover completely encloses all wire connections to the connector, and its braided wire crimp section ensures a reliable ground connection. The result is excellent shielding.
- This cover is sturdy enough to withstand the high pressure necessary during overmolding. It can thus be finish-molded directly.
- * RoHS compliant products are published.
- * Refer to "General Instruction and Notice when using Terminals and Connectors" at the end of this catalog.
- * Contact JST for details.

Applicable cable diameter

Circuits		Cable O.D.(mm)
J series	JK series	
9	15	8.6 ^{±0.2}
15	—	7.6 ^{±0.2}
25	—	8.6 ^{±0.2}

Note: Contact JST for cables other than those listed above.

Ferrule



Circuits		Ferrule	Dimensions (mm)		
J series	JK series		φ D	T	L
9 · 25	15	A	8.0	0.5	4.0
		B	11.3	0.6	8.0
15	—	A	7.0	0.5	4.0
		B	10.5	0.6	8.0

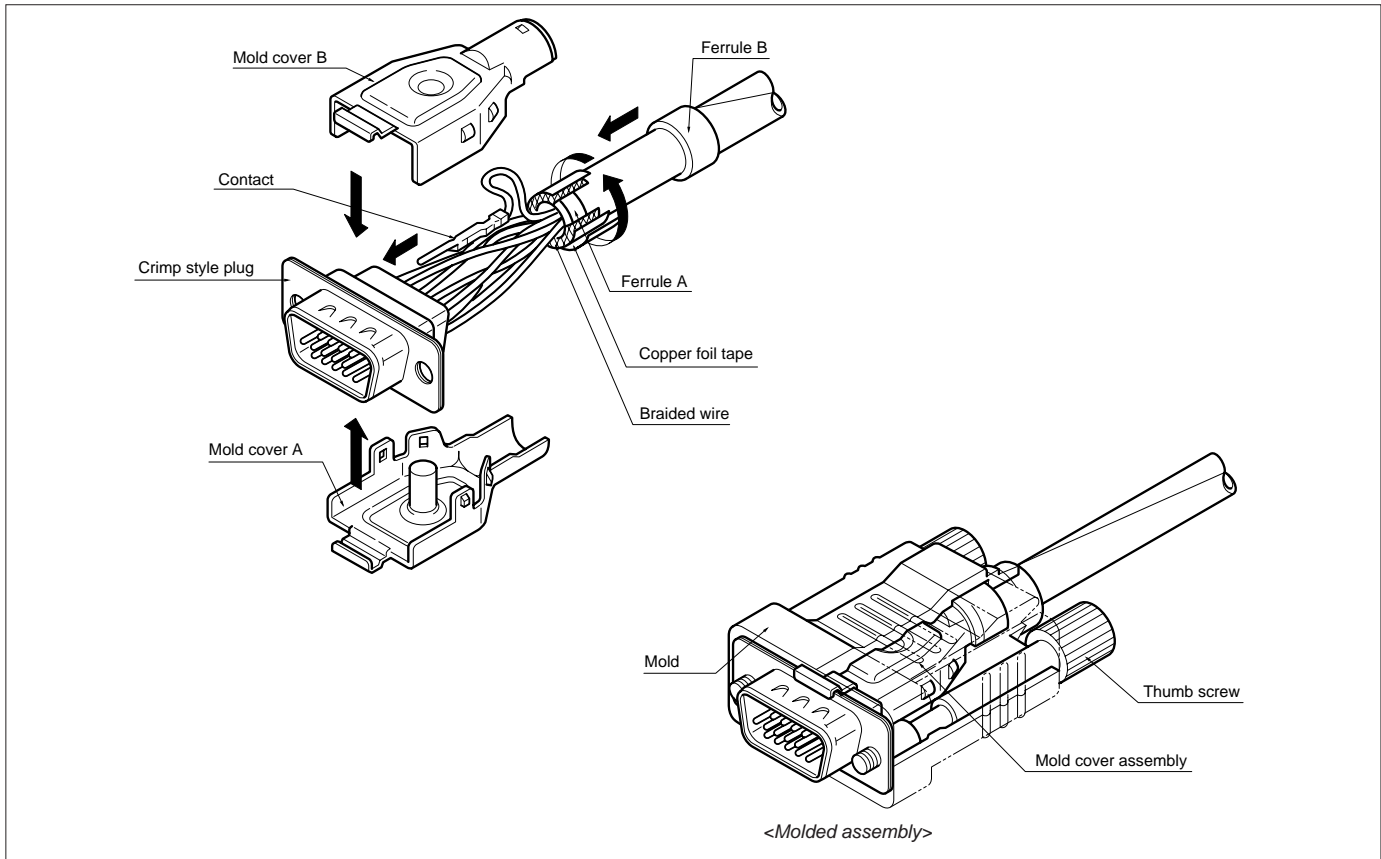
RoHS compliance

Mold cover A		Mold cover B	
JK-MC15A-3 J-MC15A	J-MC25A-4	JK-MC15B-3 J-MC15B	J-MC25B-4
<p>*Dimensions in () are those for the J-MC15A.</p>		<p>*Dimensions in () are those for the J-MC15B.</p>	

RoHS compliance

D SUBMINIATURE CONNECTOR J&K SERIES

Mold cover assembly procedure



Note: Contact JST for thumb screws.

Assembly procedure

1. Processing braided shielding wire

Pass the cable through ferrule B and remove the insulation at the end of the cable. Install ferrule A and fold back the braided shielding wire along the outside insulation. Then wind the copper foil tape around the shielding wire.

2. Connecting the wires to the contacts

Connect the wires to the contacts by crimping and insert the contacts into the housing.

3. Assembling the mold covers

Align mold cover B with mold cover A and press mold cover B until it engages the lances of mold cover A. Install ferrule B over the cable holding section of the cover assembly and crimp ferrule B. This completes the assembly.

Circuits		Parts name	Model No.	Material and Finish	Qty / box or bag
J series	JK series				
9	15	Mold cover A	JK-MC15A-3	Steel, copper-undercoated, nickel-plated	500
		Mold cover B	JK-MC15B-3		
		Ferrule A	JK-FL15A-8.0C	Copper, tin-plated	1,000
		Ferrule B	JK-FL15B-11.3		500
15	—	Mold cover A	J-MC15A	Steel, copper-undercoated, nickel-plated	200
		Mold cover B	J-MC15B		
		Ferrule A	J-FL15A-7.0C	Copper, tin-plated	1,000
		Ferrule B	J-FL15B-10.5		500
25	—	Mold cover A	J-MC25A-4	Steel, copper-undercoated, nickel-plated	250
		Mold cover B	J-MC25B-4		
		Ferrule A	JK-FL15A-8.0C	Copper, tin-plated	1,000
		Ferrule B	JK-FL15B-11.3		500

RoHS compliance

Crimping machine, Applicator

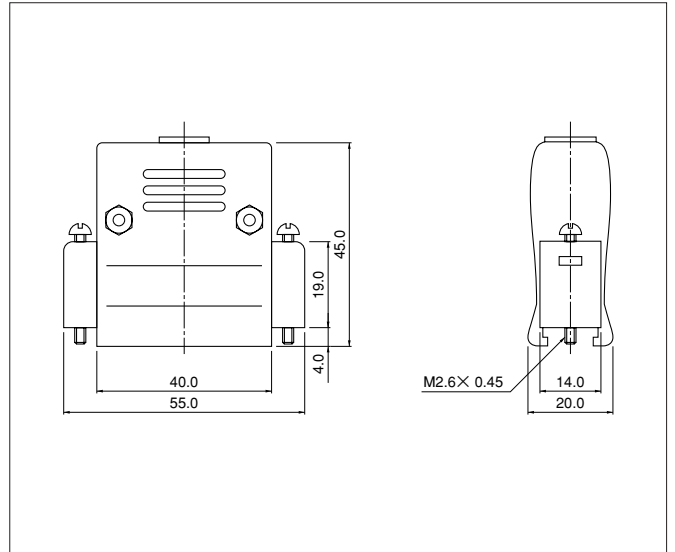
Contact	Crimping machine	Applicator		
		Crimp applicator	Dies	Crimp applicator with dies
JK-FL15B-11.3	AP-K2N	MKS-L-RG	MK/JK-MC15	APLMK JK-MC15
J-FL15B-10.5			MK/J-MC15	APLSC JK-MC15



D SUBMINIATURE J&JK SERIES

Accessories/Covers

EMI SHIELDING ALUMINUM DIE-CAST COVER (for 25-circuit J series connectors)



Features

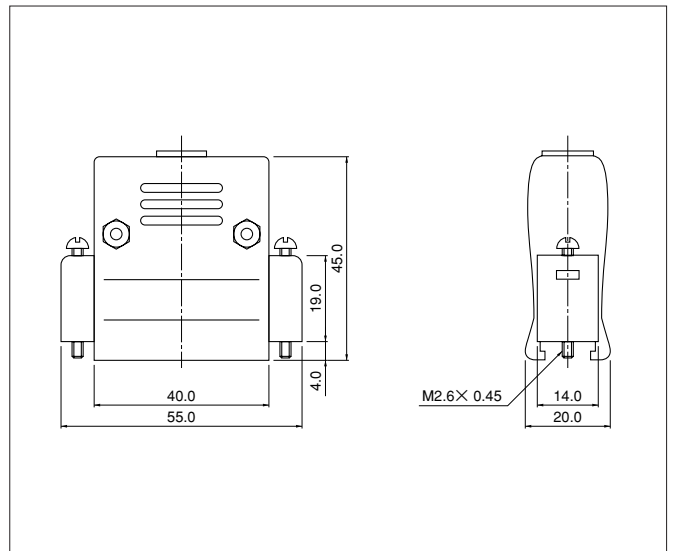
- This cover is made of aluminum die-cast .
- The D subminiature connector and all its wire connections can be completely covered to provide excellent shielding.
- This EMI shielding cover can be used together with the hexagonal and rectangular metric lock screws specified in JIS-C6361. This cover is ideally suited for RS-232C cable connectors.

Model No.	Parts in one set	Cover material	Q'ty / box
JCB-25EM	Cover A - 1 pc. Cover B - 1 pc. Lock screw - 2 pcs. Cable clamp - 2 pcs. Cover screws and nuts - 2 pcs. for each Clamp screws - 4 pcs.	Aluminum die-cast	10

RoHS compliance

- * RoHS compliant products are published.
- * Refer to "General Instruction and Notice when using Terminals and Connectors" at the end of this catalog.
- * Contact JST for details.

JIS STYLE PLASTIC COVER (for 25-circuit J series connectors)



Features

- Molded plastic cover.
- This cover can be used together with the hexagonal and rectangular metric lock screws specified in JIS-C-6361.

- * RoHS compliant products are published.
- * Refer to "General Instruction and Notice when using Terminals and Connectors" at the end of this catalog.
- * Contact JST for details.

Model No.	Parts in one set	Cover material	Q'ty / box
JCB-25M	Covers - 2 pcs. Lock screw - 2 pcs. Cable clamp - 2 pcs. Cover screws and nuts - 2 pcs. for each Clamp screws - 2 pcs.	ABS resin	10

RoHS compliance




D SUBMINIATURE CONNECTOR J·JH·JK & KH SERIES

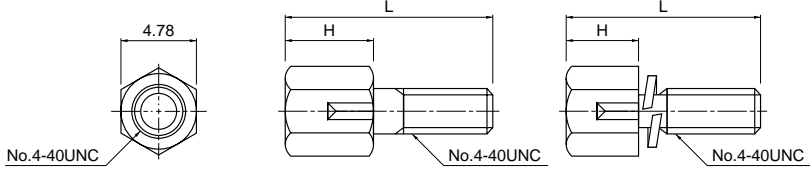
Accessories/Lock screw block

A variety of accessories are available for the D subminiature connectors.

LOCK SCREW BLOCK




**Hexagonal lock screw block
(inch thread: No.4-40UNC)**



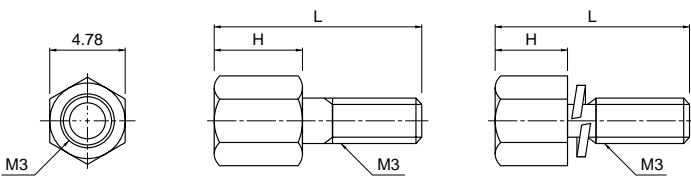
Type A Type B

Dimension / Model No.	Applicable series				Dimension H (mm)	Type	Attachment	Q'ty / box
	J series right angle through-hole type JK series straight through-hole type	JK series right angle through-hole type	J series straight through-hole type	JH series right angle through-hole type KH series right angle through-hole type				
Dimension L (mm)	13.1	15.0	10.0	11.8				
Model No.	JFS-4S-C1N	KFS-4S-C1N	—	—	5.5	A	Spring washer .. 1 pc. Nut 1 pc.	2,000
	JFS-4S-B1W	KFS-4S-B1W	SFS-4S-B1W	HFS-4S-B1W	4.8		Spring washer .. 1 pc.	
	JFS-4S-C1W	KFS-4S-C1W	SFS-4S-C1W	HFS-4S-C1W	5.5	B	Hexagonal lock screw & spring washer are integrated	
	JFS-4S-B1WM	KFS-4S-B1WM	SFS-4S-B1WM	HFS-4S-B1WM	4.8			
	JFS-4S-C1WM	KFS-4S-C1WM	SFS-4S-C1WM	HFS-4S-C1WM	5.5			

RoHS compliance



**Hexagonal lock screw block
(metric thread: M3)**



Type A Type B

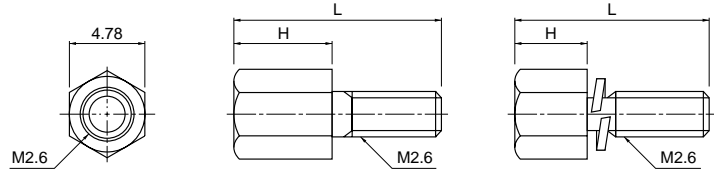
Dimension / Model No.	Applicable series				Dimension H (mm)	Type	Attachment	Q'ty / box
	J series right angle through-hole type JK series straight through-hole type	JK series right angle through-hole type	J series straight through-hole type	JH series right angle through-hole type KH series right angle through-hole type				
Dimension L (mm)	13.1	15.0	10.0	11.8				
Model No.	JFS-3S-C1N	KFS-3S-C1N	—	—	5.5	A	Spring washer .. 1 pc. Nut 1 pc.	2,000
	JFS-3S-B1W	KFS-3S-B1W	SFS-3S-B1W	HFS-3S-B1W	4.8		Spring washer .. 1 pc.	
	JFS-3S-C1W	KFS-3S-C1W	SFS-3S-C1W	HFS-3S-C1W	5.5	B	Hexagonal lock screw & spring washer are integrated	
	JFS-3S-B1WM	KFS-3S-B1WM	SFS-3S-B1WM	HFS-3S-B1WM	4.8			
	JFS-3S-C1WM	KFS-3S-C1WM	SFS-3S-C1WM	HFS-3S-C1WM	5.5			

RoHS compliance

D SUBMINIATURE CONNECTOR J·JH·JK&KH SERIES



Hexagonal lock screw block
(metric thread: M2.6)



Type A

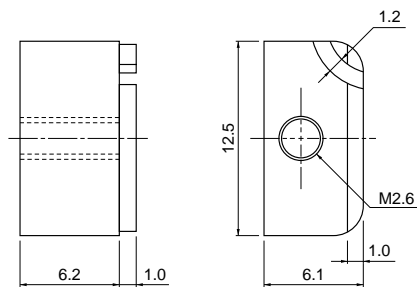
Type B

Applicable series	J series right angle through-hole type JK series straight through-hole type	JK series right angle through-hole type	J series straight through-hole type	JH series right angle through-hole type KH series right angle through-hole type	Dimension H (mm)	Type	Attachment	Q'ty / box
Dimension / Model No.	Dimension L (mm)	13.1	15.0	10.0				
Model No.	JFS-2.6S-C1N	KFS-2.6S-C1N	—	—	5.5	A	Spring washer .. 1 pc. Nut 1 pc.	2,000
	JFS-2.6S-B1W	KFS-2.6S-B1W	SFS-2.6S-B1W	HFS-2.6S-B1W	4.8		Spring washer .. 1 pc.	
	JFS-2.6S-C1W	KFS-2.6S-C1W	SFS-2.6S-C1W	HFS-2.6S-C1W	5.5	B	Hexagonal lock screw & spring washer are integrated	
	JFS-2.6S-B1WM	KFS-2.6S-B1WM	SFS-2.6S-B1WM	HFS-2.6S-B1WM	4.8			
	JFS-2.6S-C1WM	KFS-2.6S-C1WM	SFS-2.6S-C1WM	HFS-2.6S-C1WM	5.5			

RoHS compliance



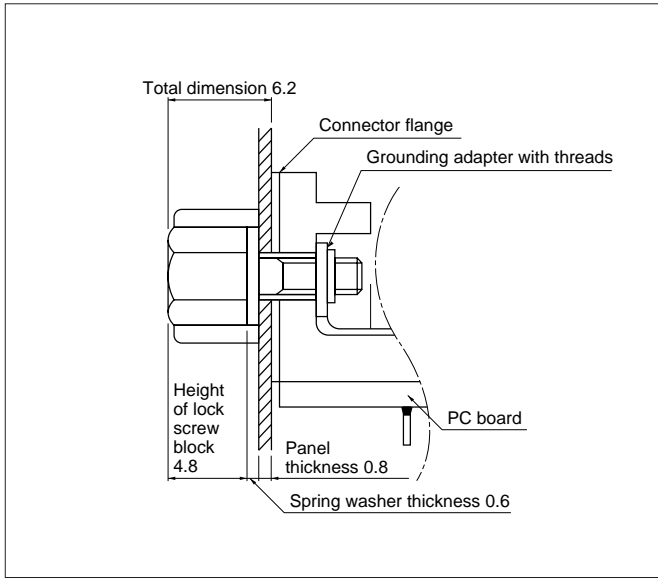
Rectangular lock screw block
(metric thread: M2.6)



Model No.	Attachment	Q'ty / box
JFS-2.6R-N	Spring washer – 1 pc. Set screw – 1 pc.	1,000

RoHS compliance

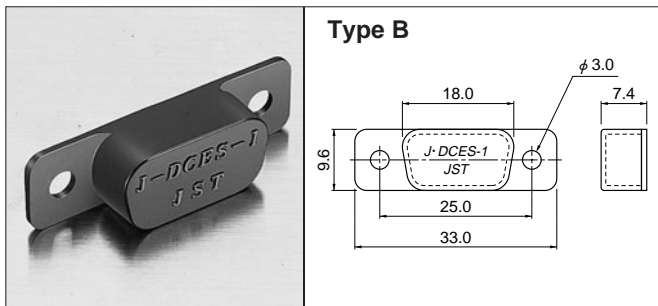
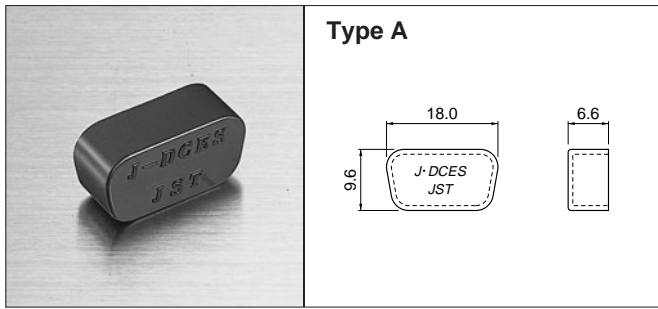
D SUBMINIATURE CONNECTOR J·JH·JK&KH SERIES



Application examples of hexagonal lock screw blocks

- The resulting total dimension from the connector flange to the top of the hexagonal lock screw block must be 6.2mm after assembly.
- The D subminiature connector can be installed on the Panel by simply tightening the hexagonal lock screw block together with grounding adapter, which has an identical thread to that of the F, G, and H types.

DUST COVER (for receptacles)



Type	Circuits		Model No.	Q'ty / box
	J series	JK series		
A	9	15	J-DCES	1,000
B			J-DCES-1	
Material				
PA, UL94V-0, black				

RoHS compliance

EXTRACTION TOOL



With this tool, contacts (connected to wires by crimping) can be easily removed if they are improperly inserted into plug and receptacle housings.

Applicable Connector		Model No.
J series		DEJ-0.3
JK series	Plug	KEJ-0.7
	Receptacle	KEJ-0.4