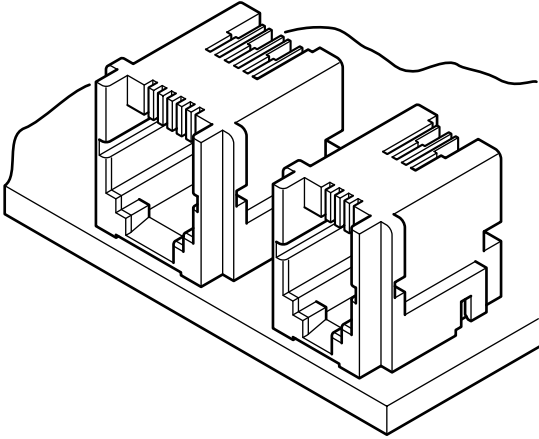


# MJ CONNECTOR

Modular jack connectors



- Upper contact point
- Metal hook
- Shielding effect
- Grounding
- Correspond to high-speed LAN transmission (MJ-88U-SD315K-T)

## Specifications

- Current rating: 1.3A AC, DC
- Voltage rating: 250V AC, DC
- Temperature range: -40°C to +80°C  
(including temperature rise in applying electrical current)
- Contact resistance: Initial value/20m Ω max.  
After environmental testing/40m Ω max.
- Insulation resistance: 1,000M Ω min.
- Withstanding voltage: 1,000V AC/minute
- \* RoHS compliant products are published.
- \* Refer to "General Instruction and Notice when using Terminals and Connectors" at the end of this catalog.
- \* Contact JST for details.

## Standards

Recognized E174260

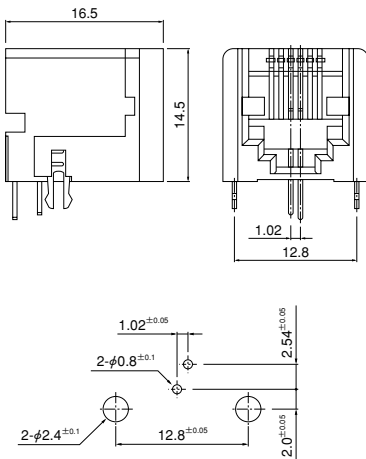
Certified LR20812

Conforms to FCC Standards

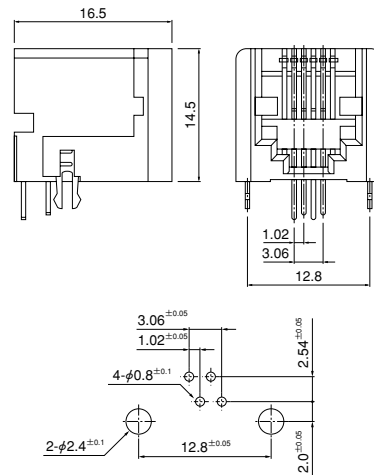
(6 circuits and 8 circuits MJ connector)

## Connector

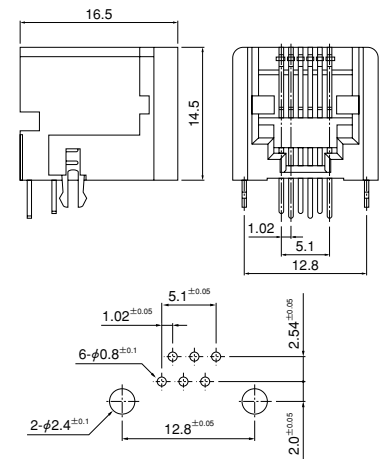
### Normal type 2/6 type



### 4/6 type



### 6/6 type

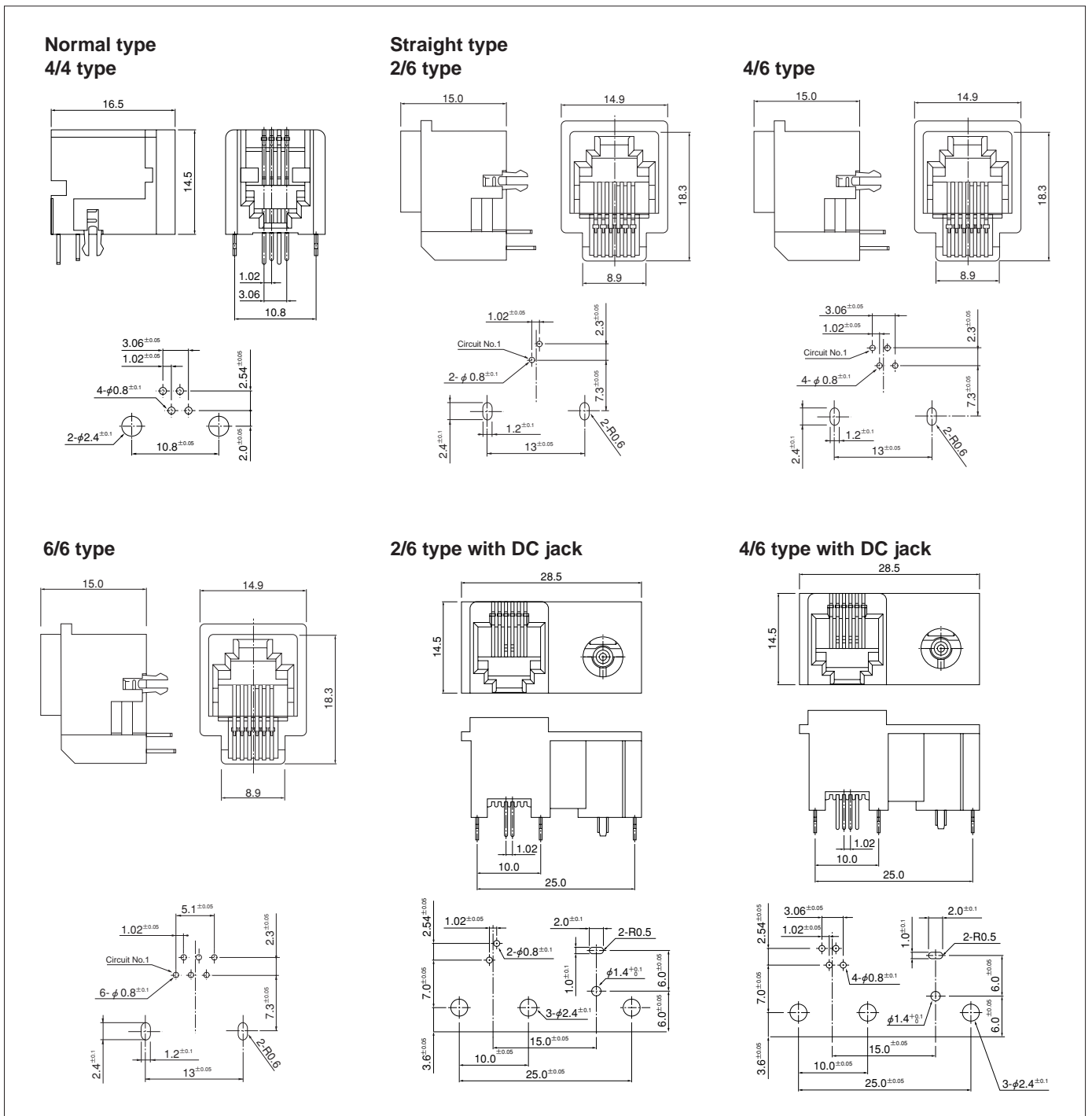


Note: 1. Tolerances are non-cumulative: ±0.05mm for all centers.

2. Hole dimensions differ according to the kind of PC board and piercing method. The dimensions above should serve as a guideline. Contact JST for details.

# MJ CONNECTOR

## Connector and PC board layout (viewed from component side)



Type	Circuits	Model No.	Q'ty / box
Normal type	2/6	<b>MJ-62J-RD315</b>	270
	4/6	<b>MJ-64J-RD315</b>	270
	6/6	<b>MJ-66J-RD315</b>	270
	4/4	<b>MJ-44J-RD315</b>	306
Straight type	2/6	<b>MJ-62C-SD335</b>	180
	4/6	<b>MJ-64C-SD335</b>	180
	6/6	<b>MJ-66C-SD335</b>	180
	2/6 with DC jack	<b>MJ-62D-SD335</b>	108
	4/6 with DC jack	<b>MJ-64D-SD335</b>	108

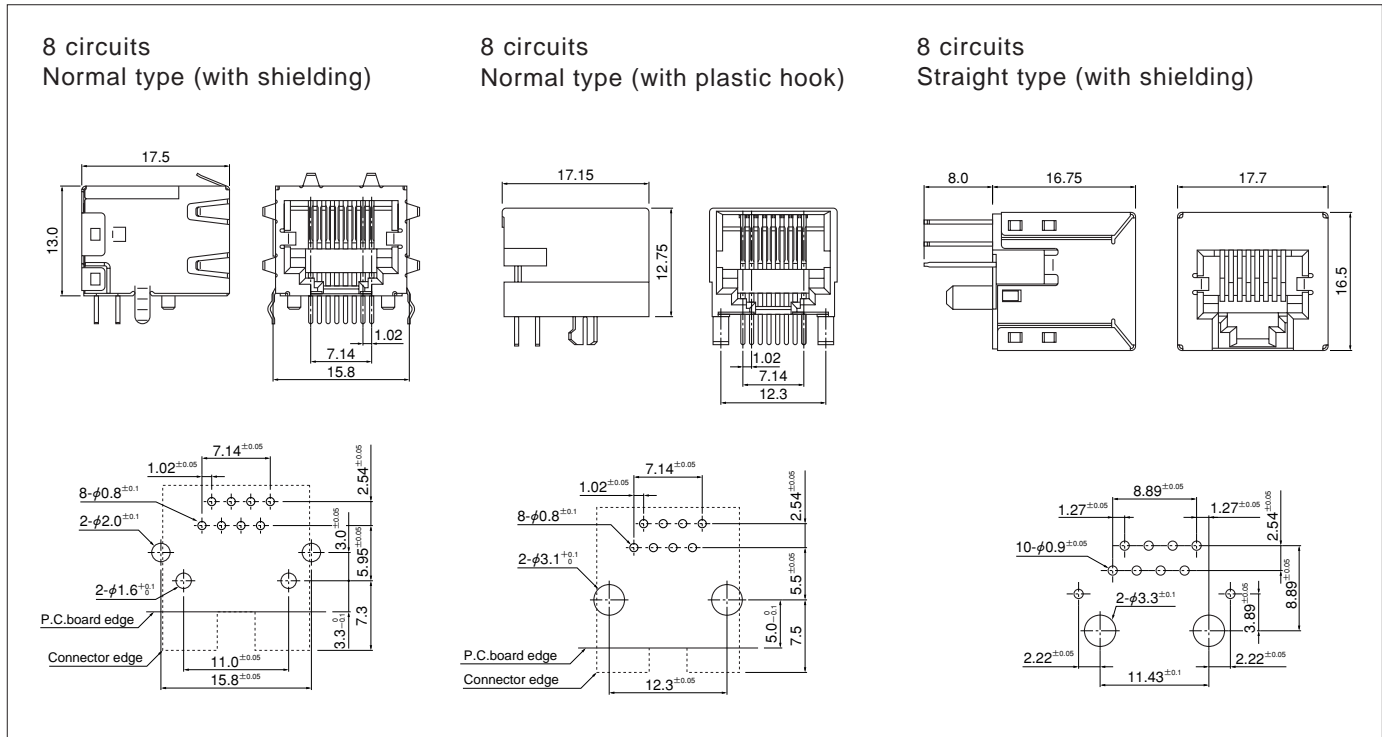
Material and Finish
Contact: Normal type/ Phosphor bronze, nickel-undercoated, Mating part; gold-plated 1.27μm min. Solder tail; tin-plated (reflow treatment)
Straight type/ Phosphor bronze, nickel-undercoated, Mating part; gold-plated 1.27μm min. Overall; gold-plated (flash)
Housing: Glass-filled PBT, UL94V-0
Hook pin: Brass, tin-plated (reflow treatment)
Moving contact (spring): Copper alloy, tin-plated (reflow treatment) [with-DC-jack type only]
Stationary contact (pin): Brass, nickel-undercoated, tin/copper alloy-plated [with-DC-jack type only]

Note: 1. Tolerances are non-cumulative: ±0.05mm for all centers.  
2. Hole dimensions differ according to the kind of PC board and piercing method.  
The dimensions above should serve as a guideline. Contact JST for details.

**RoHS compliance** This product displays (LF)(SN) on a label.  
The product with DC jack displays (LF) on a label.

# MJ CONNECTOR

## Connector and PC board layout (viewed from component side)



Type	Circuits	Model No.	Q'ty / box
Normal type (with shielding)	8	<b>MJ-88H-RD315K</b>	520
Normal type (with plastic hook)	8	<b>MJ-88R-RD315K</b>	520
Straight type (with shielding)	8	<b>MJ-88U-SD315K-T</b>	144

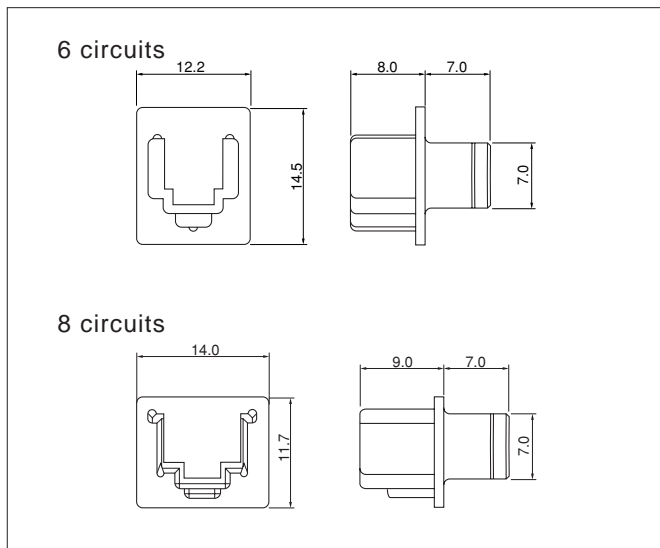
### Material and Finish

Contact: Phosphor bronze, nickel-undercoated,  
 Mating part: gold-plated 1.27μm min.  
 Solder tail: tin-plated (reflow treatment)  
 Housing: Glass-filled PBT, UL94V-0(Normal type)  
 Glass-filled LCP, UL94V-0(Straight type)  
 Shield cover: Phosphor bronze, tin-plated (reflow treatment) [Normal type, Straight type]  
 Shield pin: Phosphor bronze, copper-undercoated, tin-plated (reflow treatment) [Straight type]

**RoHS compliance** This product displays (LF)(SN) on a label.

Note: 1. Tolerances are non-cumulative: ±0.05mm for all centers.  
 2. Hole dimensions differ according to the kind of PC board and piercing method.  
 The dimensions above should serve as a guideline. Contact JST for details.

## Cap for dust



Circuits	Model No.	Q'ty / box
6	<b>MJ-JP56K</b>	500
8	<b>MJ-JP68K</b>	1,000

### Material

MJ-JP56K: PA 66, UL94V-0  
 MJ-JP68K: PBT, UL94V-0

**RoHS compliance**  
 Note: Not UL/CSA approved.