



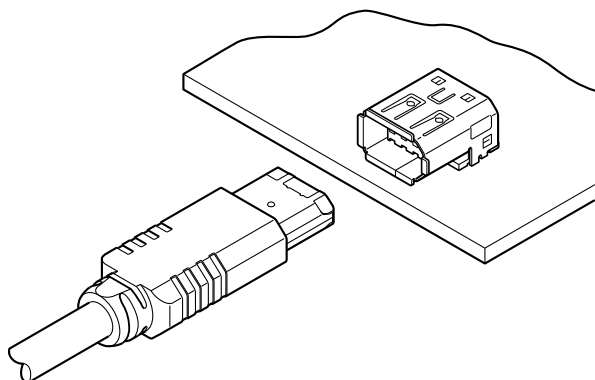
JST

MV CONNECTOR

High-speed serial interface connectors



Conforming to the IEEE 1394-1995 standards, the MV connector is a high-speed serial interface connector designed to connect PCs and peripherals.



Features

• EMI shielding

Fully shielded receptacle and metal cover of the plug provides reliable EMI shielding.

• Receptacles with flange

Receptacles with flange are available in two types, either with upper flange or with side flange. They are secured to the chassis of the equipment with screw(s).

• SMT configuration

All the receptacles (3 types in total) are of SMT configuration.

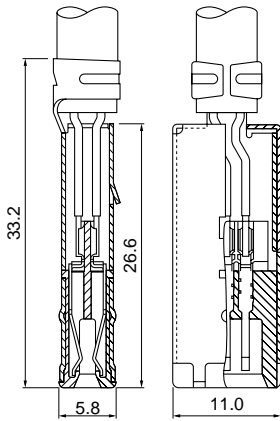
• The plug is designed to be overmolded.

Specifications

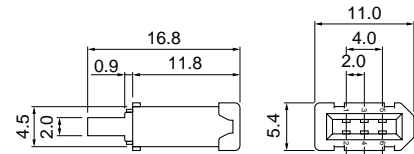
- Current rating: Signal circuit: 1.0A AC, DC/line
Power supply circuit: 3A AC, DC/line
- Voltage rating: 30V AC, DC
- Temperature range: -40°C to +85°C
(including temperature rise in applying electrical current)
- Contact resistance: Initial value/30m Ω max.
After environmental testing/30m Ω max.
(variation from initial value)
- Insulation resistance: 100M Ω min.
- Withstanding voltage: 500V AC/minute
- Applicable wire (Plug): Signal circuit/ AWG #28
Power supply circuit/ AWG #22
- Applicable cable O.D. (Plug): 6.1mm
- * RoHS compliant products are published.
- * Refer to "General Instruction and Notice when using Terminals and Connectors" at the end of this catalog.
- * Contact JST for details.

Plug

Assembly



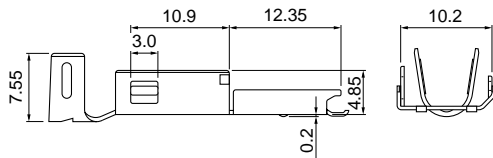
Housing (Contact inserted)



Model No.	Material and Finish
MV-PH6-D314	Contact: Copper alloy, Mating part; nickel-undercoated, gold-plated Solder tail; nickel-undercoated, tin-plated (reflow treatment) Housing: Heat resisting resin, UL94V-0

RoHS compliance This product displays (LF)(SN) on a label.

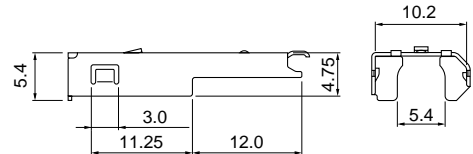
Metal cover A



Model No.	Material and Finish
MV-MC6A-7NK	Stainless, nickel-plated

RoHS compliance

Metal cover B

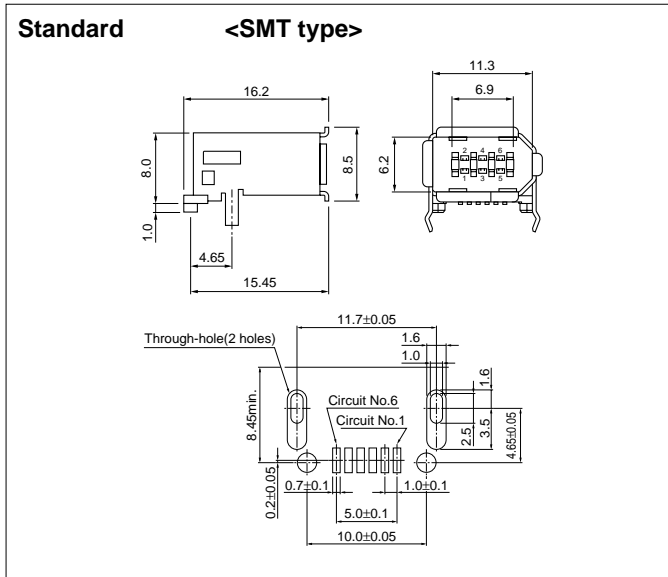


Model No.	Material and Finish
MV-MC6B-7NK	Stainless, nickel-plated

RoHS compliance

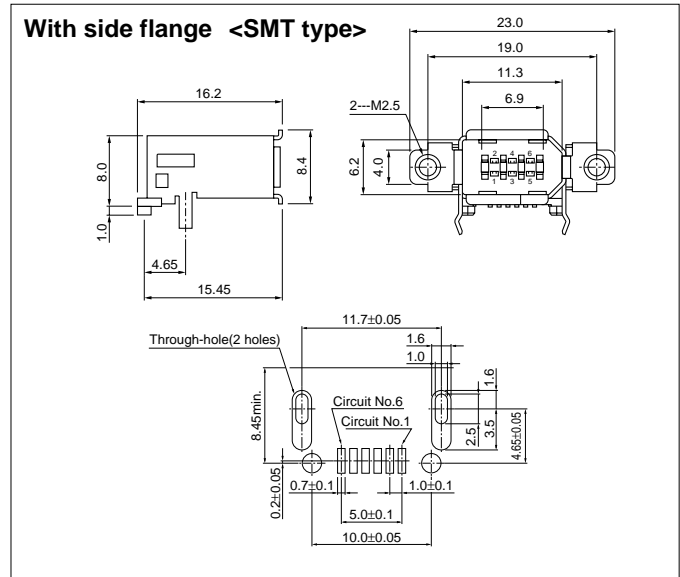
MV CONNECTOR

Receptacle



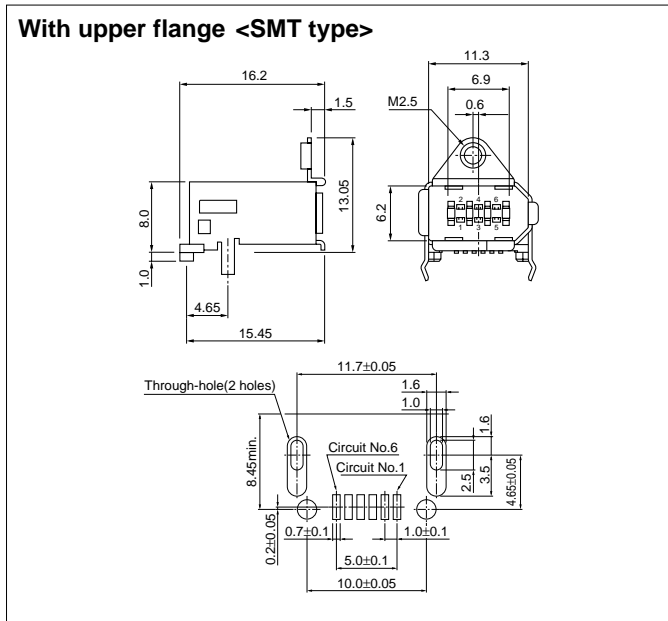
Model No.	Material and Finish	
MV-6S-S50SSN-A31	Contact	Copper alloy, overall nickel-undercoated, Mating part: gold-plated Solder tail: tin-plated (reflow treatment)
	Housing	Glass-filled PPS, UL94V-0
	Shell	Copper alloy, copper-undercoated, nickel-undercoated, tin/nickel alloy-plated
	Rear cover	Copper alloy, copper-undercoated, tin-plated (reflow treatment)

RoHS compliance This product displays (LF)(SN) on a label.



Model No.	Material and Finish	
MV-6S-S50SSN-B31	Contact	Copper alloy, overall nickel-undercoated, Mating part: gold-plated Solder tail: tin-plated (reflow treatment)
	Housing	Glass-filled PPS, UL94V-0
	Shell	Copper alloy, copper-undercoated, nickel-undercoated, tin/nickel alloy-plated
	Rear cover	Copper alloy, copper-undercoated, tin-plated (reflow treatment)

RoHS compliance This product displays (LF)(SN) on a label.



Model No.	Material and Finish	
MV-6S-S50SSN-C31	Contact	Copper alloy, overall nickel-undercoated, Mating part: gold-plated Solder tail: tin-plated (reflow treatment)
	Housing	Glass-filled PPS, UL94V-0
	Shell	Copper alloy, copper-undercoated, nickel-undercoated, tin/nickel alloy-plated
	Rear cover	Copper alloy, copper-undercoated, tin-plated (reflow treatment)

RoHS compliance This product displays (LF)(SN) on a label.