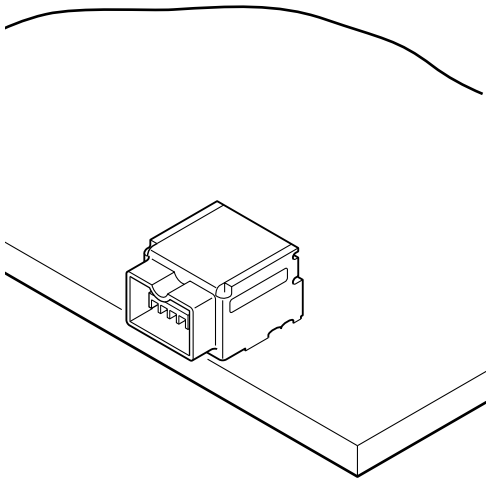


RV CONNECTOR

High-speed serial interface connectors



Conforming to the IEEE 1394 standards (4P), the RV connector is a high-speed serial interface connector designed for use in PCs and consumer electronic equipment.

- A variety of receptacles are available
- Compact

Specifications

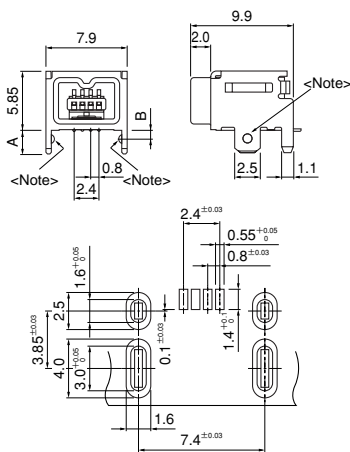
- Current rating: 0.3A AC, DC
- Voltage rating: 30V AC, DC
- Temperature range: -40°C to +85°C
(including temperature rise in applying electrical current)
- Contact resistance: Initial value/50m Ω max.
After environmental testing/30m Ω max.
(variation from initial value)
- Insulation resistance: 100M Ω min.
- Withstanding voltage: 100V AC/minute
- Applicable PC board thickness: 0.8 to 1.6mm
- * RoHS compliant products are published.
- * Refer to "General Instruction and Notice when using Terminals and Connectors" at the end of this catalog.
- * Contact JST for details.

Standards

- Ⓜ Recognized E60389
- Ⓢ Certified LR20812

Receptacle

Normal <SMT type>

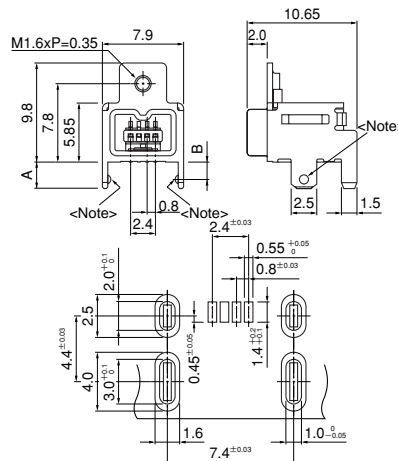


Model No.	Material and Finish
Supplied on embossed tape RV-SS4G-N-BM-TB	Housing PPS, UL94V-0 Contact Copper alloy, overall nickel-undercoated, Mating part: gold-plated Solder tail: tin-plated(reflow treatment)
Supplied in tray RV-SS4G-N-B()	Shell cover Copper alloy, copper-undercoated, nickel-plated Shell Mild steel, nickel-undercoated, tin-plated

RoHS compliance This product displays (LF)(SN) on a label.
Note: Embossed-taping products have no dimple.

Type	Applicable PC board thickness (mm)	Dimensions (mm)	
		A	B
Normal type	0.8	2.15	0.8
	1.6	2.45	1.6

Normal <SMT type> with upper flange<M1.6>

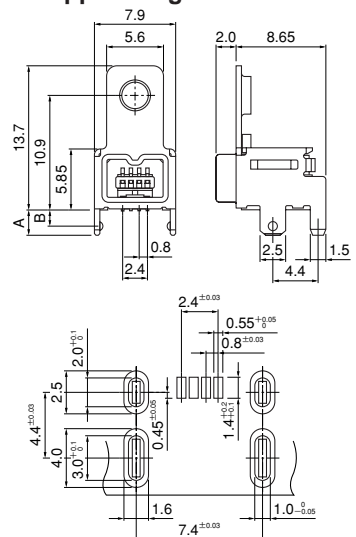


Model No.	Material and Finish
Supplied on embossed tape RV-SS4G-F16N-C-TB	Housing PPS, UL94V-0 Contact Copper alloy, overall nickel-undercoated, Mating part: gold-plated Solder tail: tin-plated(reflow treatment)
Supplied in tray RV-SS4G-F16N-C()	Shell cover Copper alloy, copper-undercoated, nickel-plated Shell Mild steel, copper-undercoated, nickel-undercoated, tin/nickel alloy-plated

RoHS compliance This product displays (LF)(SN) on a label.
Note: Embossed-taping products have no dimple.

Note: 1. Receptacles are not UL/CSA approved.
2. Model No. : () denotes the applicable PC board thickness.
08 ... For 0.8mm thick PC board
16 ... For 1.6mm thick PC board

Normal <SMT type> with upper flange<M3>

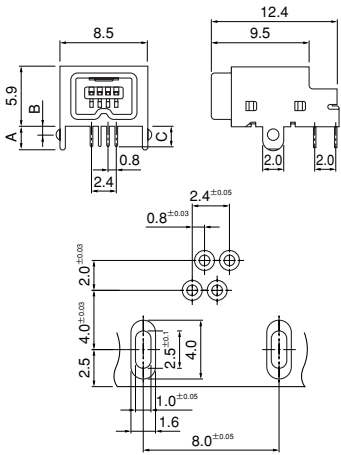


Model No.	Material and Finish
RV-SS4G-F30N-E ()	Housing PPS, UL94V-0 Contact Copper alloy, overall nickel-undercoated, Mating part: gold-plated Solder tail: tin-plated(reflow treatment)
	Shell cover Copper alloy, copper-undercoated, nickel-plated Shell Mild steel, copper-undercoated, nickel-undercoated, tin/nickel alloy-plated

RoHS compliance This product displays (LF)(SN) on a label.

Receptacle

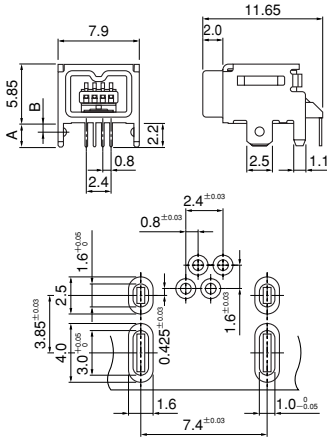
Reverse <Through-hole type>



Model No.	Material and Finish
RV-SS4D-R-A ()	Housing PBT, UL94V-0
	Contact Copper alloy, overall nickel-undercoated, Mating part: gold-plated Solder tail: tin-plated(reflow treatment)
	Shell cover Copper alloy, copper-undercoated, nickel-plated
	Shell Mild steel, nickel-undercoated, tin/copper alloy-plated

RoHS compliance This product displays (LF)(SN) on a label.

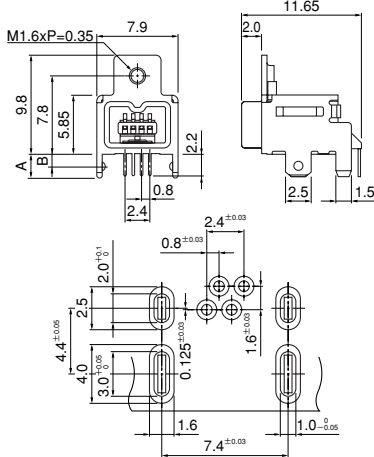
Normal <Through-hole type>



Model No.	Material and Finish
RV-SS4D-N-B ()	Housing PPS, UL94V-0
	Contact Copper alloy, overall nickel-undercoated, Mating part: gold-plated Solder tail: tin-plated(reflow treatment)
	Shell cover Copper alloy, copper-undercoated, nickel-plated
	Shell Mild steel, nickel-undercoated, tin/copper alloy-plated

RoHS compliance This product displays (LF)(SN) on a label.

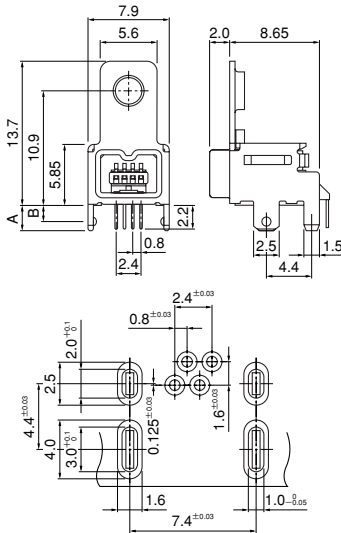
Normal <Through-hole type> with upper flange<M1.6>



Model No.	Material and Finish
RV-SS4D-F16N-C ()	Housing PPS, UL94V-0
	Contact Copper alloy, overall nickel-undercoated, Mating part: gold-plated Solder tail: tin-plated(reflow treatment)
	Shell cover Copper alloy, copper-undercoated, nickel-plated
	Shell Mild steel, nickel-undercoated, tin/copper alloy-plated

RoHS compliance This product displays (LF)(SN) on a label.

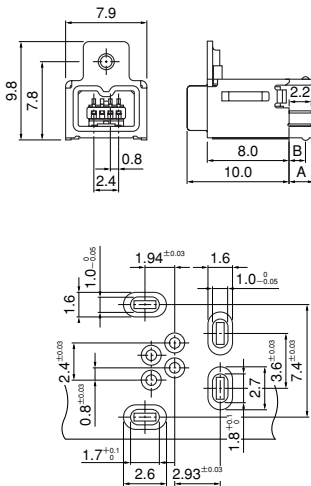
Normal <Through-hole type> with upper flange<M3>



Model No.	Material and Finish
RV-SS4D-F30N-E ()	Housing PPS, UL94V-0
	Contact Copper alloy, overall nickel-undercoated, Mating part: gold-plated Solder tail: tin-plated(reflow treatment)
	Shell cover Copper alloy, copper-undercoated, nickel-plated
	Shell Mild steel, nickel-undercoated, tin/copper alloy-plated

RoHS compliance This product displays (LF)(SN) on a label.

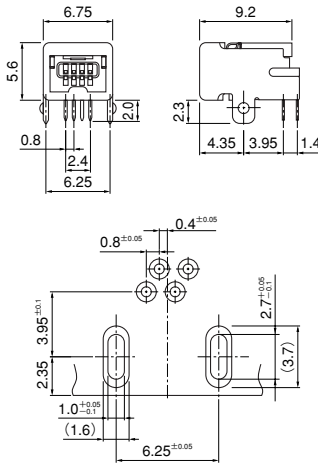
Top entry <Through-hole type> with flange<M1.6>



Model No.	Material and Finish
RV-ST4D-F16N-D ()	Housing PPS, UL94V-0
	Contact Copper alloy, overall nickel-undercoated, Mating part: gold-plated Solder tail: tin-plated(reflow treatment)
	Shell cover Copper alloy, copper-undercoated, nickel-plated
	Shell Mild steel, nickel-undercoated, tin/copper alloy-plated

RoHS compliance This product displays (LF)(SN) on a label.

Reverse <Through-hole type> Small type



Model No.	Material and Finish
RV-SS4D-RS-H08-1	Housing PA9T
	Contact Copper alloy, overall nickel-undercoated, Mating part: gold-plated Solder tail: tin-plated
	Shell cover Copper alloy, nickel-undercoated, tin-plated
	Shell Copper alloy, tin-plated(reflow treatment)

RoHS compliance This product displays (LF) on a label.

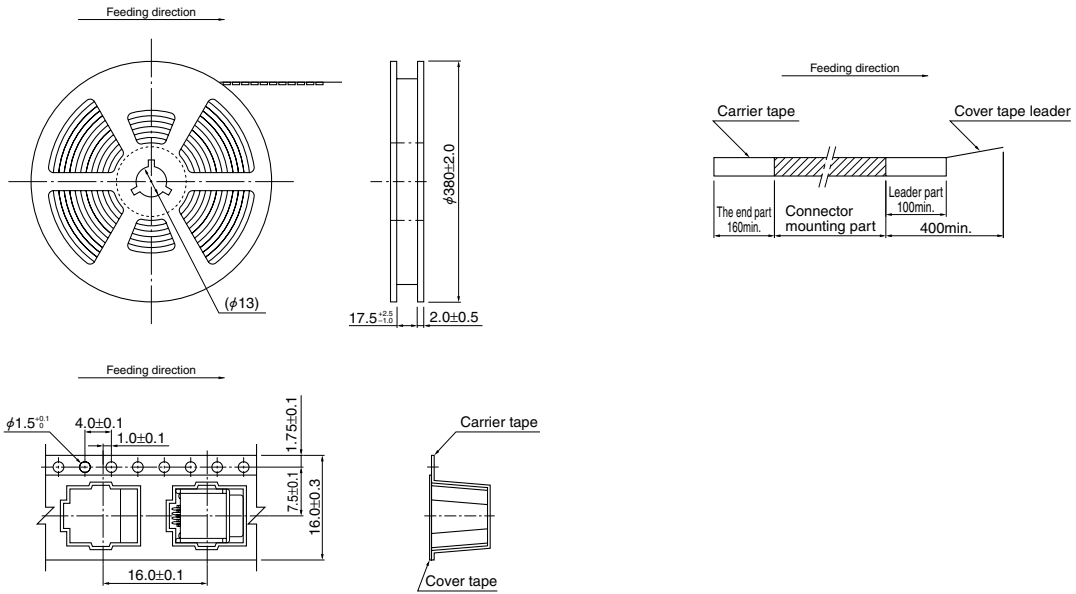
Type	Applicable PC board thickness (mm)	Dimensions (mm)		
		A	B	C
Normal type	0.8	2.15	0.8	-
	1.6	2.45	1.6	-
Reverse type	0.8	2.3	0.8	2.0
	1.6	3.1	1.6	2.8

Note: 1. Receptacles are not UL/CSA approved.
 2. Model No. : () denotes the applicable PC board thickness.
 08 ... For 0.8mm thick PC board
 16 ... For 1.6mm thick PC board

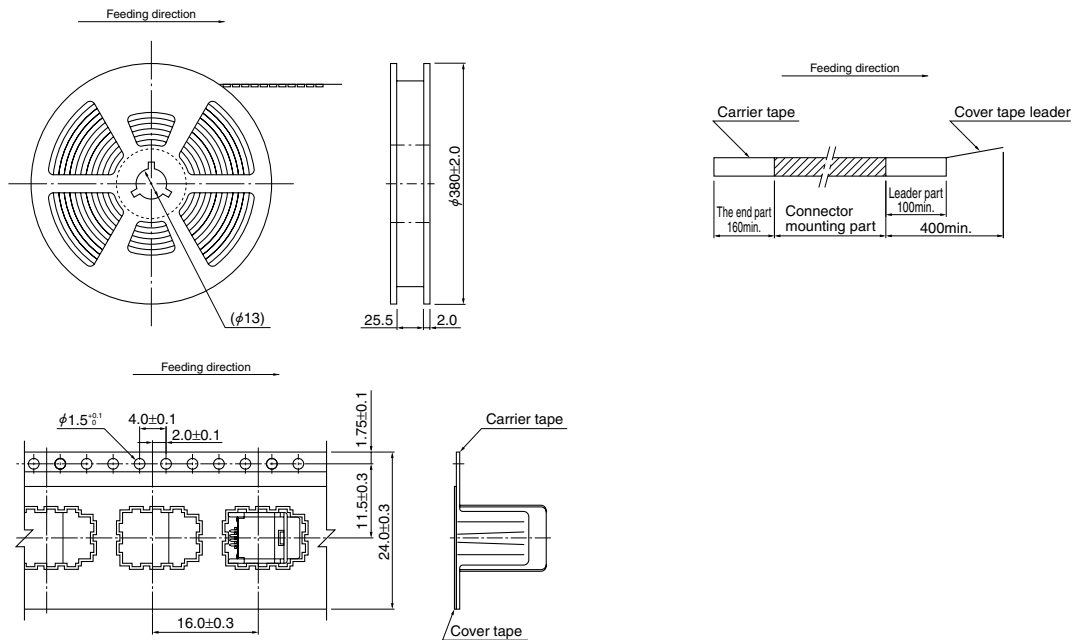
RV CONNECTOR

Taping specifications

RV-SS4G-N-BM-TB (600 pcs. / reel)



RV-SS4G-F16N-C-TB (400 pcs. / reel)



Note: 1. Specifications conform to JIS C0806. The tape width, connector loading recess square hole dimensions, etc. are determined by the number of circuits and external shape of the connector to be loaded.

2. Specifications are subject to change without prior notice.