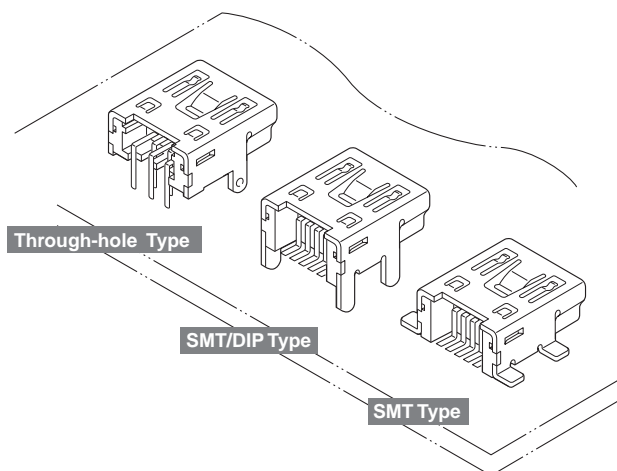




UB CONNECTOR mini-B Type

USB (Universal Serial Bus) Conforming Connector



The USB 2.0 certified receptacle is quite suitable for the interface of the small and miniaturized PC-peripheral products as Digital Cameras and MP3 Players.

- **Space saving design**
- **Shielding and higher reliability of connection**
- **Excellent insertion and withdrawal forces**
- **Variations**

Specifications

- Current rating: 1.0A AC, DC
 - Voltage rating: 30V AC, DC
 - Temperature range: -55°C to +85°C
(including temperature rise in applying electrical current)
 - Contact resistance: Initial value/50m Ω max.
After environmental testing/50m Ω max.
 - Insulation resistance: 1,000M Ω min.
 - Withstanding voltage: 100V AC/minute
 - Applicable wire: Mating with USB 2.0 certified mini-B plug
 - Applicable PC board thickness: Through-hole/1.0mm
SMT, SMT-through-hole/
1.0 to 1.2mm
- * RoHS compliant products are published.
* Refer to "General Instruction and Notice when using Terminals and Connectors" at the end of this catalog.
* Contact JST for details.

Standards

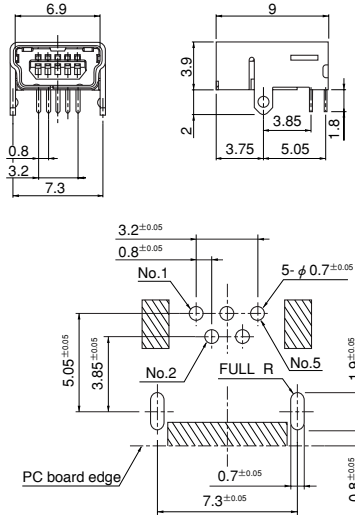
Recognized E60389

UB CONNECTOR mini-B Type

Receptacle

USB 2.0 certified product

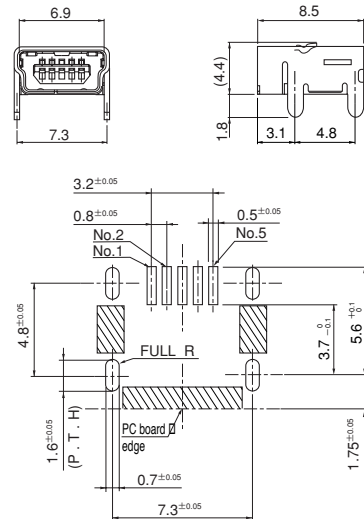
Through-hole/Through-hole



Model No.	Material and Finish		Q'ty/box
UB-M5BR-DM14-4D	Contact	Copper alloy, nickel-undercoated, selective gold-plated	400
	Housing	Thermoplastic resin, UL94V-0	
	Shell	Copper alloy, nickel-undercoated, tin-plated	

RoHS compliance This product displays (LF)(SN) on a label.

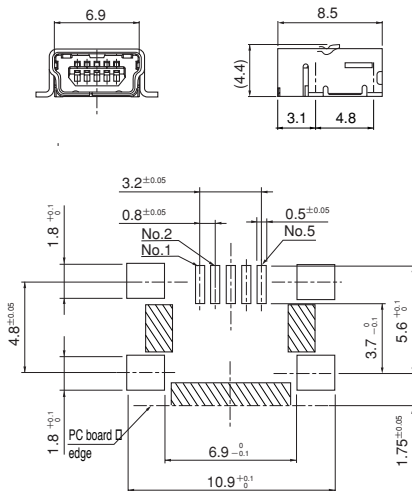
Through-hole/SMT



Model No.	Material and Finish		Q'ty/box
UB-M5BR-S14-4S	Contact	Copper alloy, nickel-undercoated, selective gold-plated	840
	Housing	Heat resisting resin, UL94V-0	
	Shell	Copper alloy, nickel-undercoated, tin-plated	

RoHS compliance This product displays (LF)(SN) on a label.

SMT/SMT



Model No.	Material and Finish		Q'ty/box
UB-M5BR-G14-4S	Contact□	Copper alloy, nickel-undercoated, selective gold-plated□	840
	Housing□	Heat resisting resin, UL94V-0□	
	Shell	Copper alloy, nickel-undercoated, tin-plated	

RoHS compliance This product displays (LF)(SN) on a label.