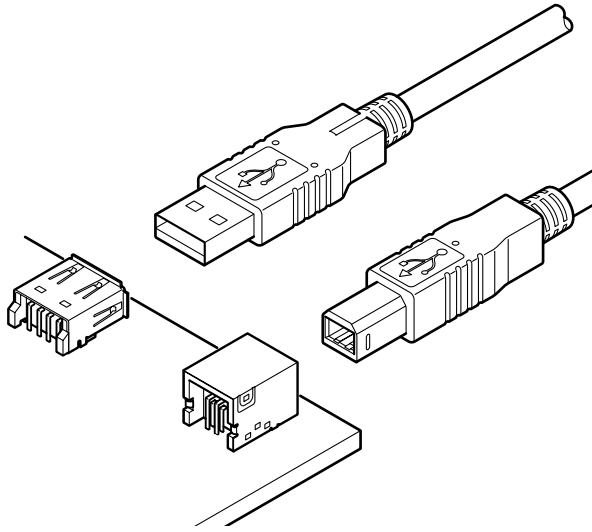




UB CONNECTOR

USB (Universal Serial Bus) Conforming Connector



- **Conforms to USB (Universal Serial Bus) standards**
- **Secure EMI shielding effect**
- **Distortion preventive device**
- **SMT configuration**

Specifications

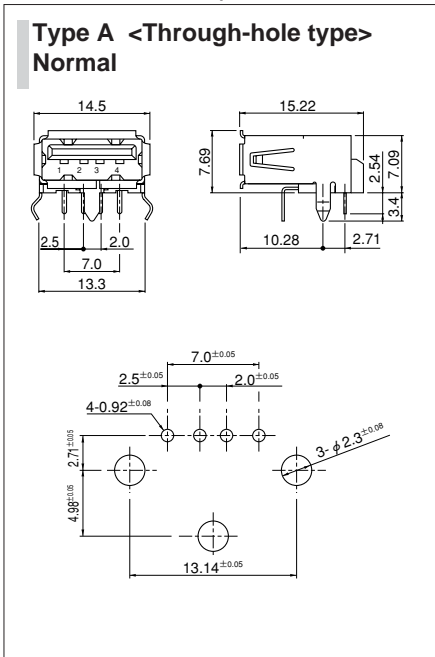
- Current rating: 1.0A AC, DC/ line
- Voltage rating: 30V AC, DC
- Temperature range: -55°C to +85°C
(including temperature rise in applying electrical current)
- Contact resistance: Initial value/30m Ω max.
After environmental testing/10m Ω max.
(variation from initial value)
- Insulation resistance: 1,000M Ω min.
- Withstanding voltage: 750V AC/minute
- Applicable wire (Plug): AWG #20 to #28
Insulation O.D./1.58 to 0.79mm
- Applicable cable O.D. (Plug): 5.3 to 3.4mm
- * RoHS compliant products are published.
- * Refer to "General Instruction and Notice when using Terminals and Connectors" at the end of this catalog.
- * Contact JST for details.

Standards

- Ⓜ Recognized E60389
- Ⓢ Certified LR20812

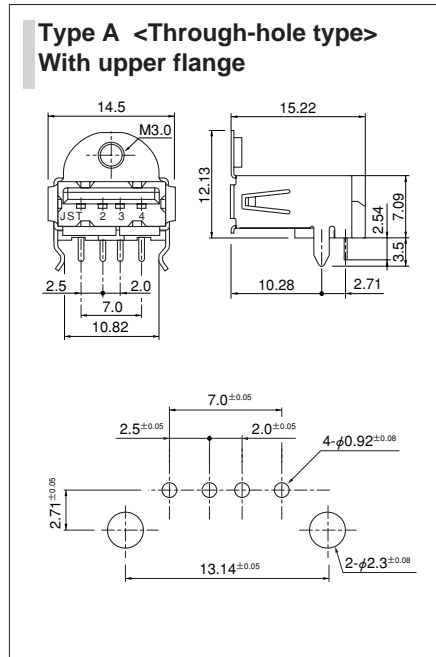
Receptacle

USB2.0 certified product



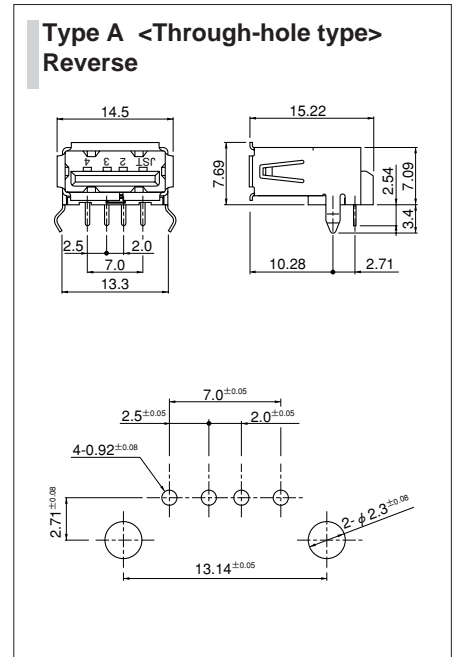
Model No.	Material and Finish	Qty / box
UBA-4R-D14T-4D	Contact	Copper alloy, nickel-undercoated, selective gold-plated
	Housing	Thermoplastic resin, UL94V-0
	Shell	Copper alloy, nickel-undercoated, tin-plated
	Solder tab	Copper alloy, copper-undercoated, tin-plated (reflow treatment)

RoHS compliance This product displays (LF)(SN) on a label.



Model No.	Material and Finish	Qty / box
UBA-4R-D14C2-4D	Contact	Copper alloy, nickel-undercoated, selective gold-plated
	Housing	Thermoplastic resin, UL94V-0
	Shell	Copper alloy, nickel-undercoated, tin-plated
	Solder tab	Copper alloy, copper-undercoated, tin-plated (reflow treatment)

RoHS compliance This product displays (LF)(SN) on a label.

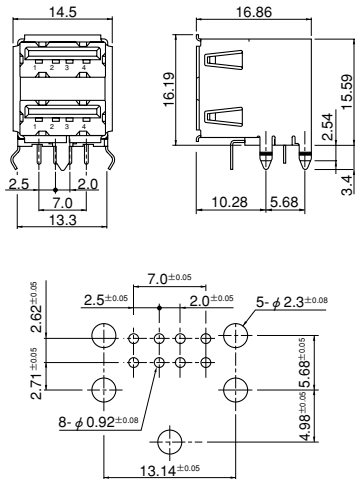


Model No.	Material and Finish	Qty / box
UBA-R4R-D14-4D	Contact	Copper alloy, nickel-undercoated, selective gold-plated
	Housing	Thermoplastic resin, UL94V-0
	Shell	Copper alloy, nickel-undercoated, tin-plated
	Solder tab	Copper alloy, copper-undercoated, tin-plated (reflow treatment)

RoHS compliance This product displays (LF)(SN) on a label.

Receptacle

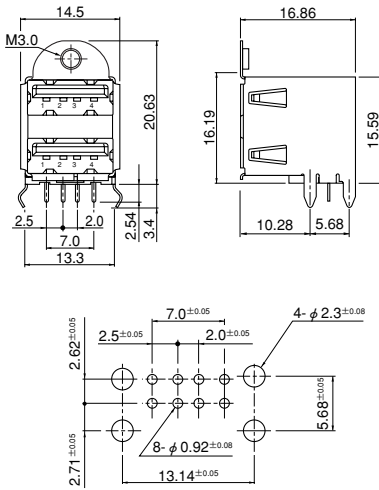
Type A <Through-hole type> Double-stack



Model No.	Material and Finish	Qty / box
UBA-4RS-D14T-4D	Contact	Copper alloy, nickel-undercoated, selective gold-plated
	Housing	Thermoplastic resin, UL94V-0
	Locater	Thermoplastic resin, UL94V-0
	Shell	Copper alloy, nickel-undercoated, tin-plated
	Solder tab	Copper alloy, copper-undercoated, tin-plated (reflow treatment)
		210

RoHS compliance This product displays (LF)(SN) on a label.

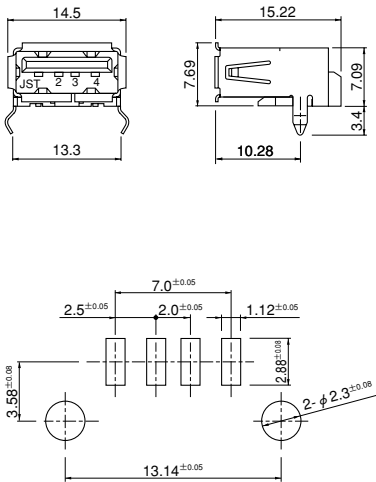
Type A <Through-hole type> Double-stack with upper flange



Model No.	Material and Finish	Qty / box
UBA-4RS-D14C-4D	Contact	Copper alloy, nickel-undercoated, selective gold-plated
	Housing	Thermoplastic resin, UL94V-0
	Locater	Thermoplastic resin, UL94V-0
	Shell	Copper alloy, nickel-undercoated, tin-plated
	Solder tab	Copper alloy, copper-undercoated, tin-plated (reflow treatment)
		-

RoHS compliance This product displays (LF)(SN) on a label.

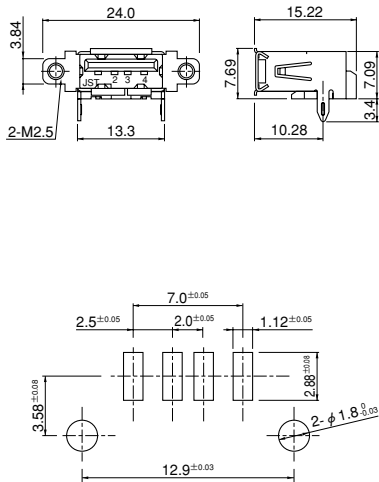
Type A <SMT type> Without flange



Model No.	Material and Finish	Qty / box
UBA-4R-S14-4S	Contact	Copper alloy, nickel-undercoated, selective gold-plated
	Housing	Thermoplastic resin, UL94V-0
	Shell	Copper alloy, nickel-undercoated, tin-plated
		250

RoHS compliance This product displays (LF)(SN) on a label.

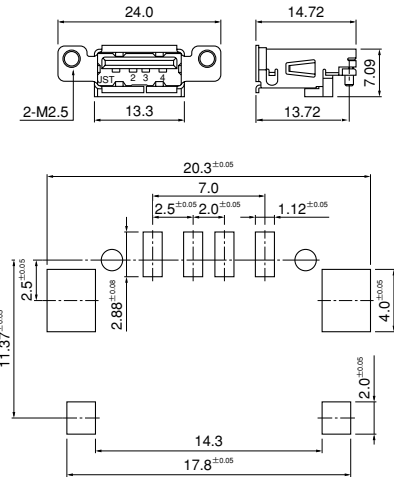
Type A <SMT type> With side flange



Model No.	Material and Finish	Qty / box
UBA-4R-S14A-4S	Contact	Copper alloy, nickel-undercoated, selective gold-plated
	Housing	Thermoplastic resin, UL94V-0
	Shell	Copper alloy, nickel-undercoated, tin-plated
		192

RoHS compliance This product displays (LF)(SN) on a label.

Type A <SMT type, off-set 3mm> With side flange



Model No.	Material and Finish	Qty / box
UBA-4R-S14B-4S	Contact	Copper alloy, nickel-undercoated, selective gold-plated
	Housing	Thermoplastic resin, UL94V-0
	Shell	Copper alloy, nickel-undercoated, tin-plated
		378

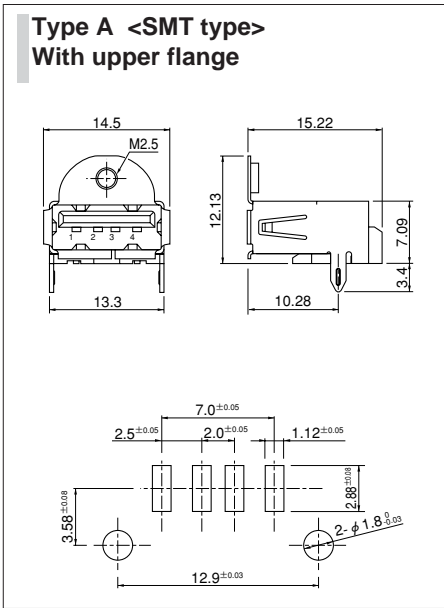
RoHS compliance This product displays (LF)(SN) on a label.

Note: The dimensions above should serve as a guideline. Contact JST for details.

UB CONNECTOR

Receptacle

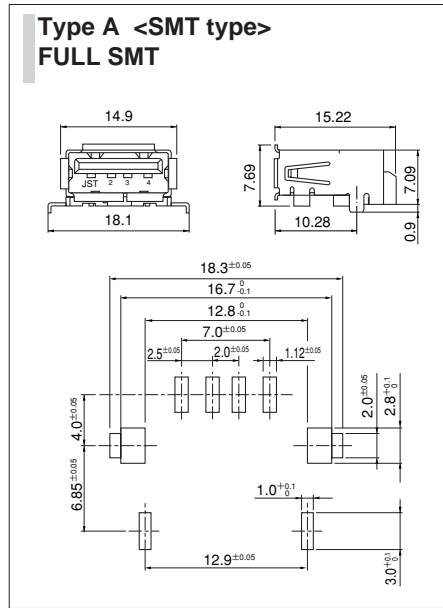
**Type A <SMT type>
With upper flange**



Model No.	Material and Finish		Qty / box
UBA-4R-S14C-4S	Contact	Copper alloy, nickel-undercoated, selective gold-plated	216
	Housing	Thermoplastic resin, UL94V-0	
	Shell	Copper alloy, nickel-undercoated, tin-plated	

RoHS compliance This product displays (LF)(SN) on a label.
 Note: The dimensions above should serve as a guideline. Contact JST for details.

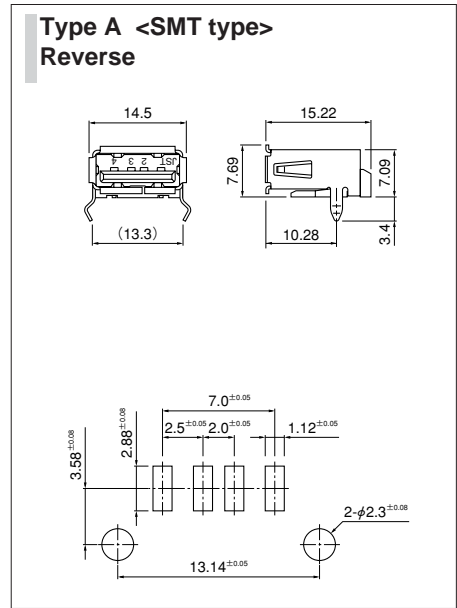
**Type A <SMT type>
FULL SMT**



Model No.	Material and Finish		Qty / box
UBA-4R-S14H-4S	Contact	Copper alloy, nickel-undercoated, selective gold-plated	-
	Housing	Thermoplastic resin, UL94V-0	
	Locater	Thermoplastic resin, UL94V-0	
	Shell	Copper alloy, nickel-undercoated, tin-plated	
	Solder tab	Copper alloy, nickel-undercoated, tin-plated	

RoHS compliance This product displays (LF)(SN) on a label.

**Type A <SMT type>
Reverse**

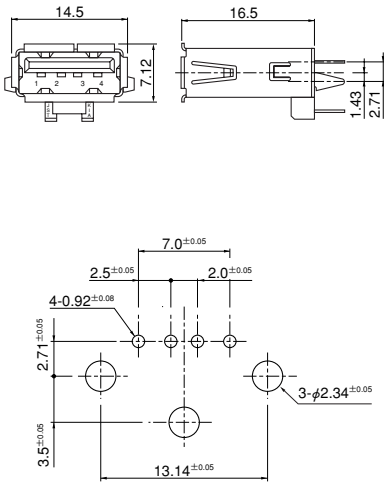


Model No.	Material and Finish		Qty / box
UBA-R4R-S14-4S	Contact	Copper alloy, nickel-undercoated, selective gold-plated	250
	Housing	Thermoplastic resin, UL94V-0	
	Shell	Copper alloy, nickel-undercoated, tin-plated	

RoHS compliance This product displays (LF)(SN) on a label.

Receptacle

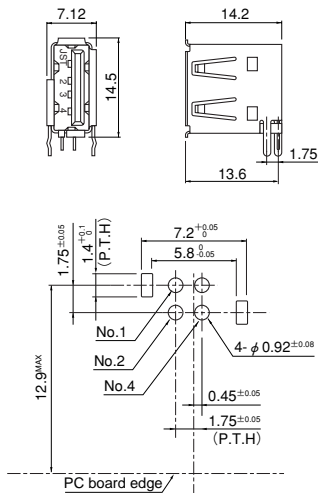
Type A <Through-hole type> Straight, normal



Model No.	Material and Finish	Qty / box
UBAS-4R-D14D-4D	Contact	Copper alloy, nickel-undercoated, selective gold-plated
	Housing	Thermoplastic resin, UL94V-0
	Shell	Copper alloy, nickel-undercoated, tin-plated
		250

RoHS compliance This product displays (LF)(SN) on a label.

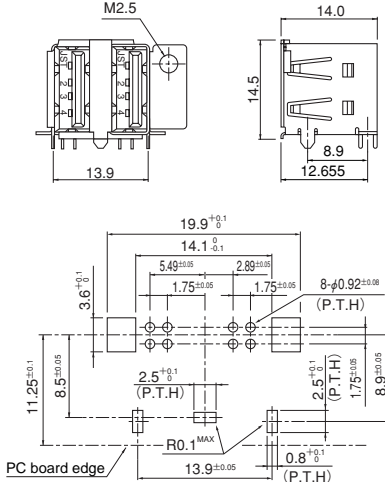
Type A <Through-hole type> Vertical, normal



Model No.	Material and Finish	Qty / box
UBAL-4R-D14-4S	Contact	Copper alloy, nickel-undercoated, selective gold-plated
	Housing	Thermoplastic resin, UL94V-0
	Shell	Copper alloy, nickel-undercoated, tin-plated
		350

RoHS compliance This product displays (LF)(SN) on a label.

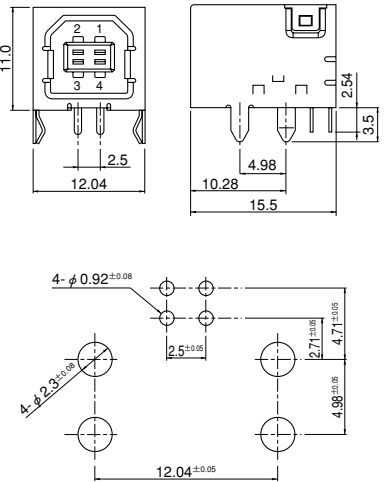
Type A <SMT/Through-hole type> Vertical, dual-row



Model No.	Material and Finish	Qty / box
UBAL-4RS-D14K-4S	Contact	Copper alloy, nickel-undercoated, selective gold-plated
	Housing	Thermoplastic resin, UL94V-0
	Shell A	Copper alloy, nickel-undercoated, tin-plated
	Shell B	Copper alloy, nickel-undercoated, tin-plated
		105

RoHS compliance This product displays (LF)(SN) on a label.

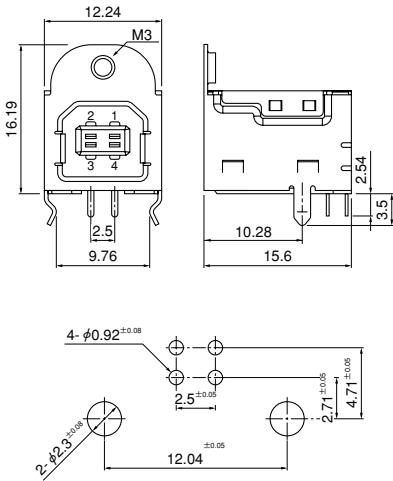
Type B <Through-hole type> Normal



Model No.	Material and Finish	Qty / box
UBB-4R-D14T-4D	Contact	Copper alloy, nickel-undercoated, selective gold-plated
	Housing	Thermoplastic resin, UL94V-0
	Shell	Copper alloy, nickel-undercoated, tin-plated
		270

RoHS compliance This product displays (LF)(SN) on a label.

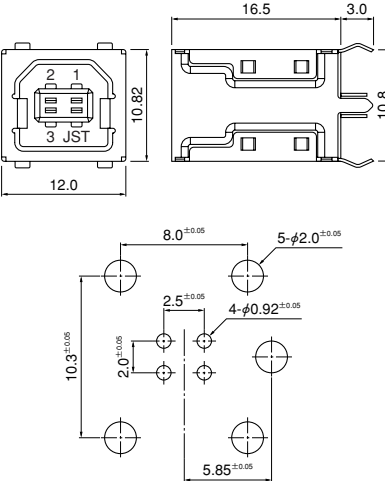
Type B <Through-hole type> With upper flange



Model No.	Material and Finish	Qty / box
UBB-4R-D14C-4D	Contact	Copper alloy, nickel-undercoated, selective gold-plated
	Housing	Thermoplastic resin, UL94V-0
	Shell	Copper alloy, nickel-undercoated, tin-plated
		270

RoHS compliance This product displays (LF)(SN) on a label.

Type B <Through-hole type> Straight



Model No.	Material and Finish	Qty / box
UBBS-4R-D14-4D	Contact	Copper alloy, nickel-undercoated, selective gold-plated
	Housing	Thermoplastic resin, UL94V-0
	Shell	Copper alloy, nickel-undercoated, tin-plated
		600

RoHS compliance This product displays (LF)(SN) on a label.

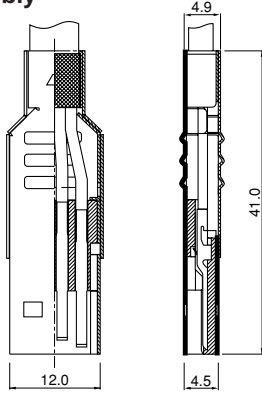
Note: The dimensions above should serve as a guideline. Contact JST for details.

UB CONNECTOR

Plug type A

USB2.0 certified product

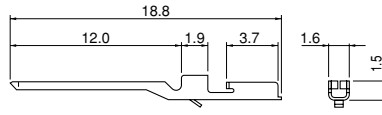
Assembly



Model No.

UBA-P*14

Contact (Solder pot type)



Model No.

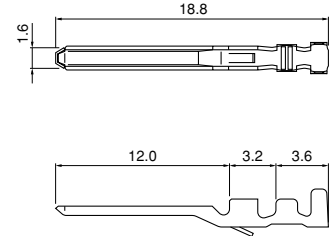
UBB-DP214

Material and Finish
Copper alloy,
nickel-undercoated,
selective gold-plated

Q'ty / reel

12,000

Contact (Crimp type)



Model No.

UBB-SP1114

Applicable wire

AWG#

Insulation O.D. (mm)

Q'ty / reel

24~20

1.03~1.58

10,000

UBB-SP2114

28~24

0.79~1.17

12,000

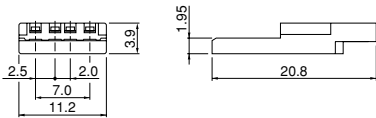
Material and Finish

Copper alloy, nickel-undercoated, selective gold-plated

RoHS compliance This product displays (LF)(SN) on a label.

Note: Not CSA certified.

Housing



Model No.

UBA-PH4-1

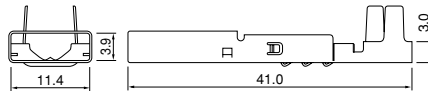
Material

Glass-filled PBT, UL94V-0

Q'ty / bag

500

Shielding cover A



Model No.

UBA-SC4A

Material and Finish

Mild steel,
nickel-undercoated,
tin-plated

Q'ty / box

400

RoHS compliance This product displays (LF) on a label.

Shielding cover B



Model No.

UBA-SC4B

Material and Finish

Mild steel,
nickel-undercoated,
tin-plated

Q'ty / box

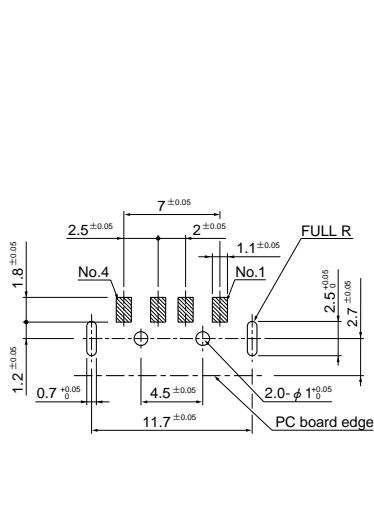
1,000

RoHS compliance This product displays (LF) on a label.

RoHS compliance

Note: USB2.0 certification for UB connector harness is needed separately.

Plug type A SMT type



Model No.	Material and Finish	Q'ty / box
UBA-4P-S14C	Contact	Copper alloy, nickel-undercoated, selective gold-plated
	Housing	Thermoplastic resin, UL94V-0
	Shell	Copper alloy, nickel-undercoated, palladium-plated

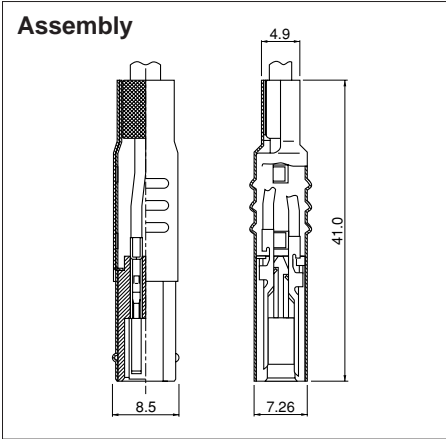
RoHS compliance This product displays (LF)(SN) on a label.

Note: 1. Not UL/CSA approved.

2. The dimensions left should serve as a guideline.
Contact JST for details.

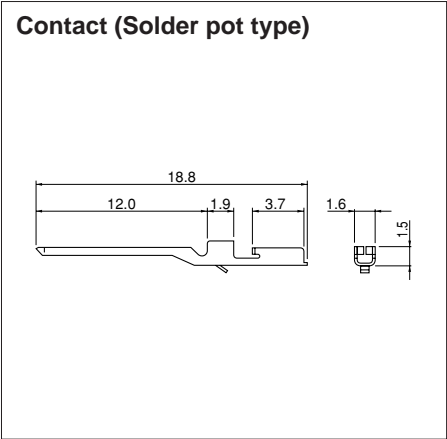
Plug type B

USB2.0 certified product



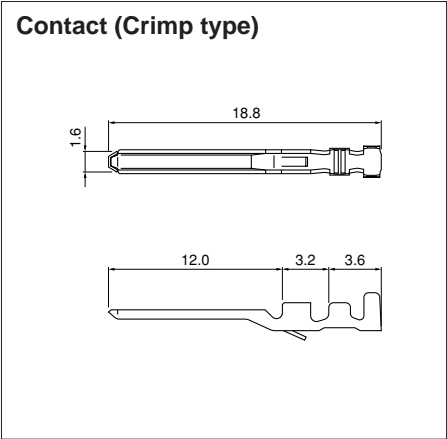
Model No.
UBB-P*14

Note: Not CSA certified.



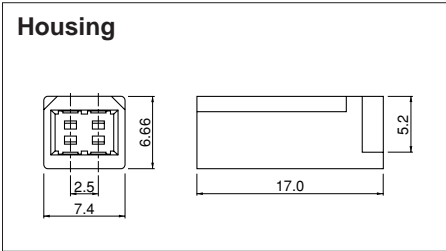
Model No.	Material and Finish	Q'ty / reel
UBB-DP214	Copper alloy, nickel-undercoated, selective gold-plated	12,000

RoHS compliance This product displays (LF)(SN) on a label.



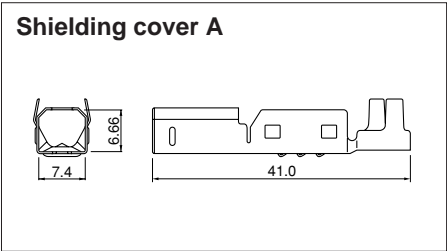
Model No.	Applicable wire		Q'ty / reel
	AWG#	Insulation O.D. (mm)	
UBB-SP1114	24~20	1.03~1.58	10,000
UBB-SP2114	28~24	0.79~1.17	12,000

Material and Finish
Copper alloy, nickel-undercoated, selective gold-plated
RoHS compliance This product displays (LF)(SN) on a label.



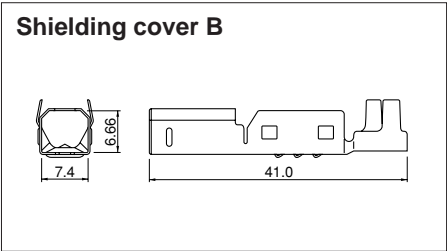
Model No.	Material	Q'ty / bag
UBB-PH4-1	Glass-filled PBT, UL94V-0	500

RoHS compliance
Note: Contact JST for USB2.0 standards.



Model No.	Material and Finish	Q'ty / box
UBB-SC4A	Mild steel, nickel-undercoated, tin-plated	500

RoHS compliance This product displays (LF) on a label.



Model No.	Material and Finish	Q'ty / box
UBB-SC4B	Mild steel, nickel-undercoated, tin-plated	1,000

RoHS compliance This product displays (LF) on a label.