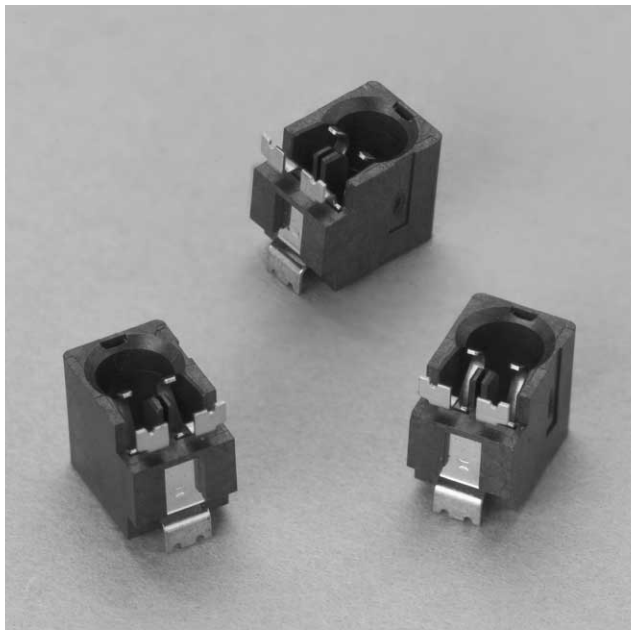
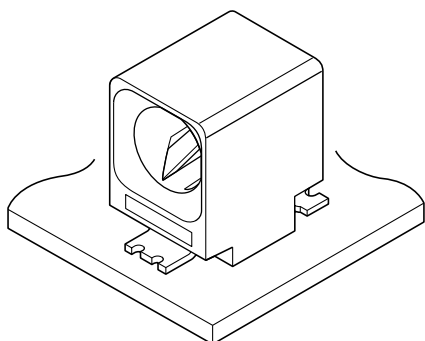


# AN CONNECTOR

Emboss Tape



**Two types of connector for antenna connection of mobile phones; one is for a diameter of 2.6.**



## Features

### • **Durability**

Highly reliable structure guarantees up to 10,000 insertion and withdrawal operations.

### • **Embossed tape for automatic mounting**

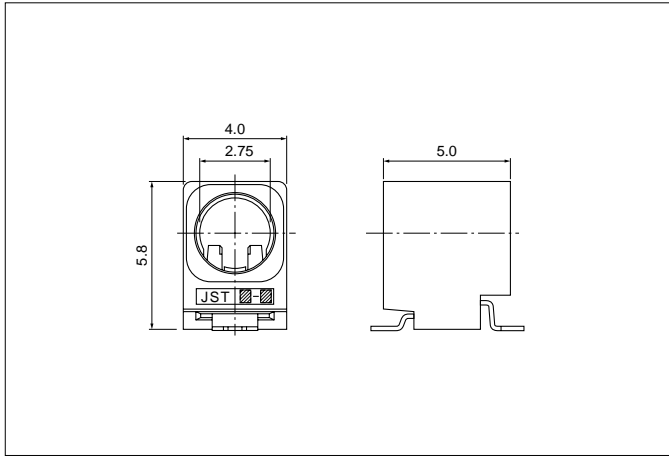
Supplied in embossed tape packaging for automatic surface mounting operation.

## Specifications

- Current rating: 0.5A AC, DC
- Voltage rating: 50V AC, DC
- Temperature range: -40°C to +85°C  
(including temperature rise in applying electrical current)
- Contact resistance: Initial value/30m Ω max.  
After environmental testing/50m Ω max.
- Insulation resistance: 500M Ω min.
- Withstanding voltage: 500V AC/minute
- \* RoHS compliant products are published.
- \* Refer to "General Instruction and Notice when using Terminals and Connectors" at the end of this catalog.
- \* Contact JST for details.

# AN CONNECTOR

## Connector



Model No.	Q'ty / reel
AN-A-2S-32-TF	1,000

### Material and Finish

Contact: Copper alloy, nickel-undercoated, gold-plated  
Housing: LCP, UL94V-0, black  
Solder tab: Copper alloy, copper-undercoated, tin-plated (reflow treatment)

**RoHS compliance** This product displays (LF)(SN) on a label.

## PC board layout (viewed from component side)

