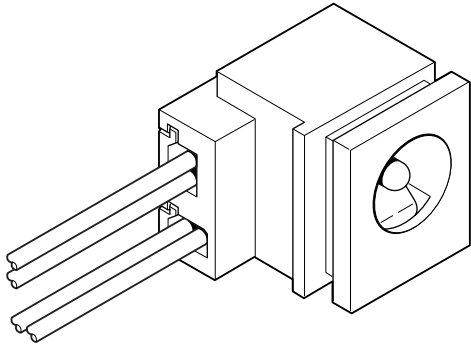




# DCJ CONNECTOR



**This is a jack connector for DC power supply used for handheld devices and notebook PC.**

**“Harness type with crimping “ is adopted to prevent from defectives of conventional product such as “Solder crack” of PC board mounting types due to an excessive external force when mating and unmating operations, and “Poor soldering” of harness types with solder potting. High safety is realized.**

- Good workability when assembling connector
- Easy setting to an equipment panel
- For large current (DCJ·DCJ/S type)
- Compact design (DCJ/A type)

## Specifications

### DCJ (Large current type)

- Current rating: 6A AC, DC
- Voltage rating: 16V AC, DC
- Temperature range: -25°C to +85°C  
(including temperature rise in applying electrical current)
- Applicable wire: AWG #22×2 wires

### DCJ/S type

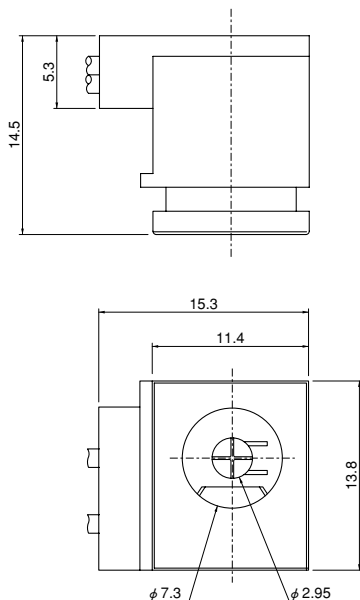
- Current rating: 5A AC, DC (AWG#20)
- Voltage rating: 20V AC, DC
- Temperature range: -25°C to +85°C  
(including temperature rise in applying electrical current)
- Applicable wire: AWG #20
- \* Contact JST for applicable plug.

### DCJ/A type (Compact type)

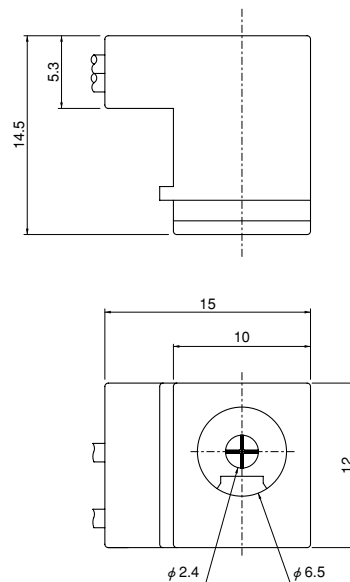
- Current rating: 2A AC, DC (AWG#26)
- Voltage rating: 6.3V AC, DC
- Temperature range: -20°C to +70°C  
(including temperature rise in applying electrical current)
- Applicable wire: AWG #26 to #28
- \* RoHS compliant products are published.
- \* Refer to "General Instruction and Notice when using Terminals and Connectors" at the end of this catalog.
- \* Contact JST for details.

## Assembly layout

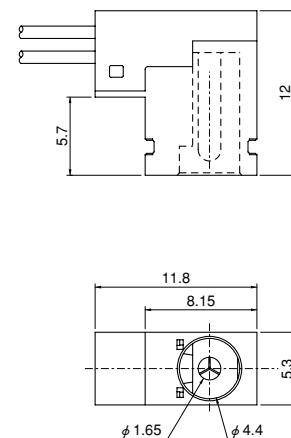
● DCJ type



● S type



● A type

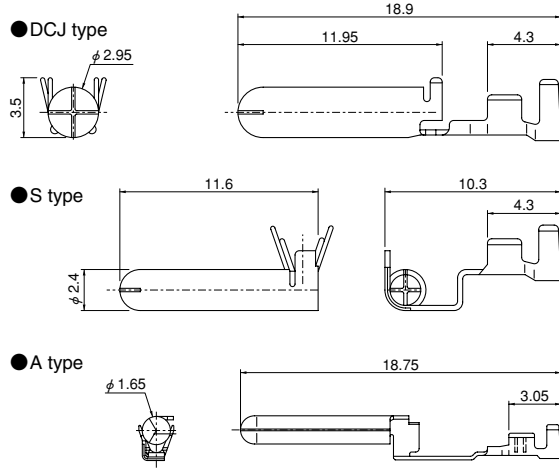


Note: The dimensions above should serve as a guideline. Contact JST for details.

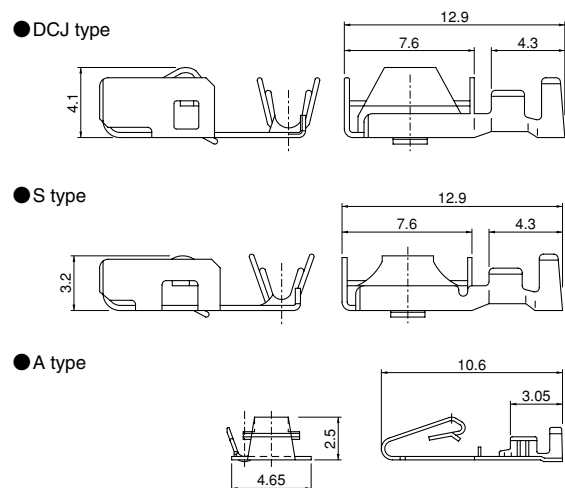
# DCJ CONNECTOR

## Contact

### Pin contact



### Socket contact



Type	Model No.		Applicable wire		Insulation O.D. (mm)	Q'ty / reel	
	Pin type	Socket type	mm <sup>2</sup>	AWG #		Pin type	Socket type
DCJ type	<b>SDCJ-21A-3.0</b>	<b>SDCJ-21A-E6.5</b>	0.33	22	1.3	6,000	2,500
S type	<b>SDCJS-01GE-2.4</b>	<b>SDCJS-01GE-E5.5</b>	0.5	20	1.6	3,500	3,200
A type	<b>SDCJA-002G-P1.65</b>	<b>SDCJA-002G-P4.4A</b>	0.08~0.13	26~28	0.8~1.1	10,000	10,000

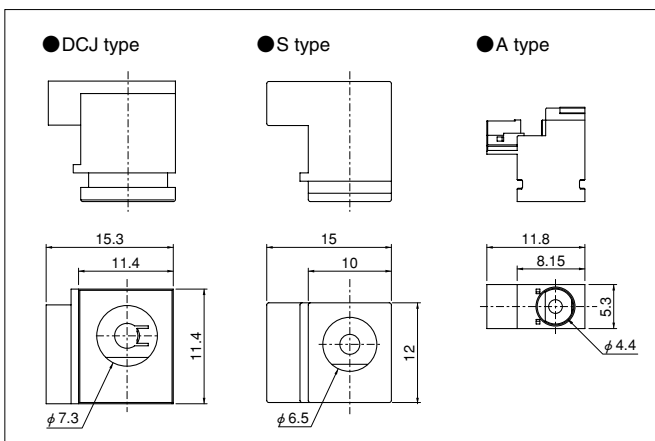
### Material and Finish

Copper alloy, Overall nickel-undercoated, silver-plated (DCJ type)  
Copper alloy, Overall nickel-undercoated, gold-plated (S type, A type)

### RoHS compliance

Contact	Type	Crimping machine	Applicator		
			Crimp applicator	Dies	Crimp applicator with dies
<b>SDCJ-21A-3.0</b>	DCJ type	AP-K2N	MKS-L	MK/SDCJ-21-30	APLMK SDCJ21-30
<b>SDCJ-21A-E6.5</b>			MKS-L	MK/SDCJ-21-65	APLMK SDCJ21-65
<b>SDCJS-01GE-2.4</b>	S type		MKS-L	MK/SDCJS-01-24	APLMK SDCJS01-24
<b>SDCJS-01GE-E5.5</b>			MKS-L	MK/SDCJS-01-55	APLMK SDCJS01-55
<b>SDCJA-002G-P4.4A</b>	A type		MKS-L	MK/SDCJA-002-44A	APLMK SDCJA002-44A
<b>SDCJA-002G-P1.65</b>			MKS-L	MK/SDCJA-002-165	APLMK SDCJA002-165

## Housing



Type	Model No.	Q'ty / box
DCJ type	<b>DCJR-02V-A</b>	150
S type	<b>DCJSR-02V-A</b>	150
A type	<b>DCJAR-03V-A</b>	500

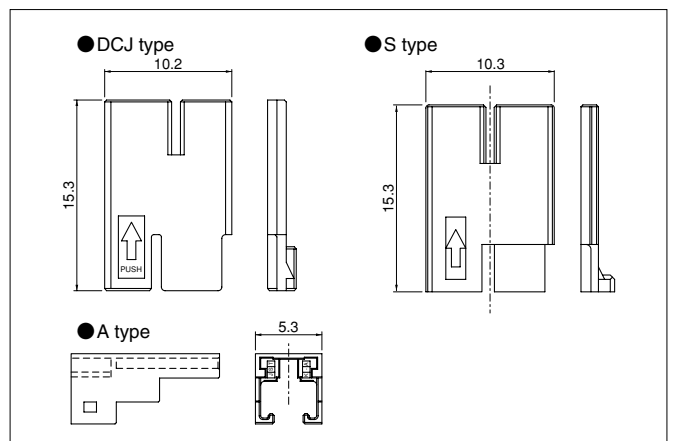
### Material

Thermoplastic resin

### RoHS compliance

\*Contact JST for applicable plug.

## Holder



Type	Model No.	Q'ty / box
DCJ type	<b>DCJR-02V-B</b>	1,000
S type	<b>DCJSR-02V-B</b>	1,000
A type	<b>DCJAR-03V-B</b>	500

### Material

Thermoplastic resin

### RoHS compliance