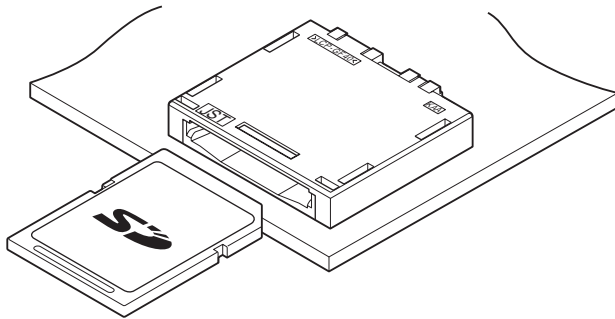




SD CONNECTOR



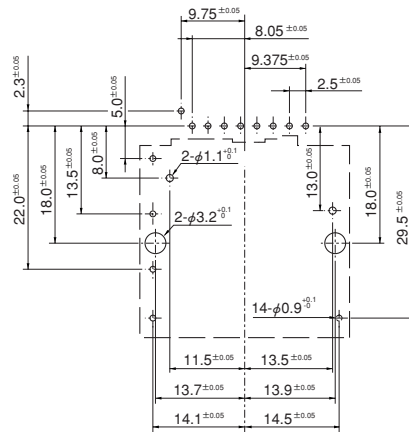
Designed for the SD (secure digital) memory card. Also applicable to the MMC (multi-media card).

- **Push-push mechanism**
- **Card-detection switch**
- **Static electricity shielding**

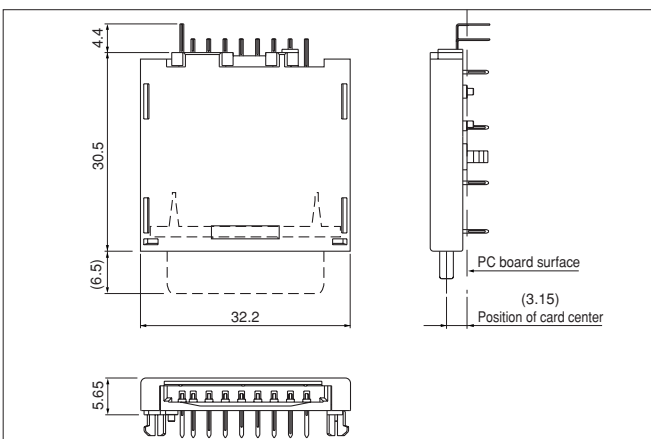
Specifications

- Current rating: 0.5A AC, DC
- Voltage rating: 5V AC, DC
- Temperature range: -25°C to +85°C
(including temperature rise in applying electrical current)
- Contact resistance: Initial value/50m Ω max. (signal part)
After environmental testing/80m Ω max. (signal part)
- Insulation resistance: 1,000M Ω min.
- Withstanding voltage: 500V AC/minute
- * RoHS compliant products are published.
- * Refer to "General Instruction and Notice when using Terminals and Connectors" at the end of this catalog.
- * Contact JST for details.

PC board layout



Connector



Model No.	Q'ty / box
SD-C-9BND-P23-332	60

Material and Finish
Housing: LCP, UL94V-0
Cover: LCP, UL94V-0
Guide: LCP, UL94V-0
Signal contact: Phosphor bronze, nickel-undercoated, gold-plated
Write protect switch: Phosphor bronze, nickel-undercoated, gold-plated
Terminal: Phosphor bronze, nickel-undercoated, gold-plated
Card detection switch: Phosphor bronze, nickel-undercoated, gold-plated
Joint rod: Kovar
Spring: SWPB, nickel-plated
GND contact: Phosphor bronze, tin-plated (reflow treatment)
Shaft: Brass

RoHS compliance