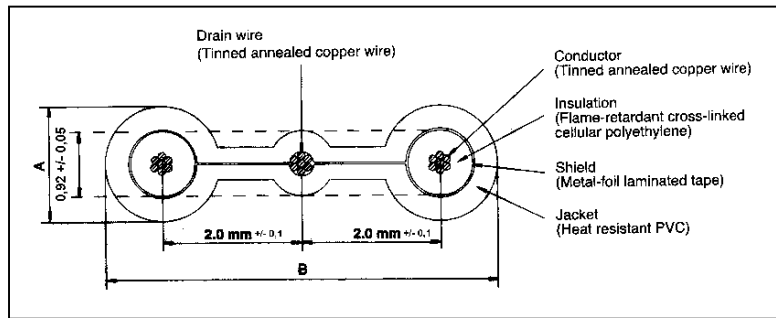


**Conductor: AWG 26, CU-braid tinned, 7x0,16 (7/34) 0,14 mm<sup>2</sup>**



**Technical data**

Temperature rating	: - 20° C ~ + 80° C
Voltage rating	: ≤ 30V / 50 Hz
Test voltage	: ≥ 500V / 50 Hz eff. 1 min.
Current rating	: ≤ 3 A / 20° C
Core insulation	: cross-linked cellular polyethylene max. 90° C
Cable sheath Insulation	: PVC, grey, max. 80° C
Shielding	: PT / AL or PT / CU Foil
Flame retardant	: VW-1 SC
Conductor resistance	: ≤ 139 Ω / km at 20° C
Insulation resistance*	: ≥ 1000 M Ω x km at 20° C
Capacity by 1 kHz (Ground-Signal-Ground)	: ≤ 175 pF/m
Shielding effect by 500 kHz	: > 65 dB/m
UL Style	: 1691 or 2791 (SX)
*Measured conductor/shielding	

**Delivery program**

Each according to design, 300 meter ~ 750 meter spools..

Order-No.	Conduc t. number	Design and position of the drain wire
UL1691-SX(CU)1x#26/7P=2.0J	1 + 1	1-core, CU- shield, AWG 26, Side drain
UL2791-SX(CU)2x#26/7P=2.0J	2 + 1	2-core, CU- shield, AWG 26, Side drain
UL2791-SX(CU/CD)2x#26/7P=2.0J	2 + 1	2-core, CU- shield, AWG 26, Center drain
UL2791-SX(CU/CD)3x#26/7P=2.0J	3 + 1	3-core, CU- shield, AWG 26, Center drain
UL2791-SX(AL/CD)2x#26/7P=2.0J	2 + 1	2-core, AL- shield, AWG 26, Center drain
UL1691-SX(CU)1x#28/7P=2.0J	1 + 1	1-core, CU- shield, AWG 28, Side drain
UL2791-SX(CU)2x#28/7P=2.0J	2 + 1	2-core, CU- shield, AWG 28, Side drain
UL2791-SX(CU/CD)2x#28/7P=2.0J	2 + 1	2-core, CU- shield, AWG 28, Center drain
UL2791-SX(CU/CD)3x#28/7P=2.0J	3 + 1	3-core, CU- shield, AWG 28, Center drain

Position of drain wire	No. of conductors	Conductor			Insulation			Shield thick. (mm)	Outer diameter A x B (mm)
		Size (AWG)	Stranding (No./mm)	Diameter (mm)	Thickness (mm)	Diameter (mm)	Colour		
Side	1	26	7/0.16	0.48	0.24	0.92	white	0.02	1.7+0.1x3.31+0.2
	1	28	7/0.127	0.38	0.29	0.92	white	0.02	1.7+0.1x3.31+0.2
	2	26	7/0.16	0.48	0.24	0.92	white/red	0.02	1.7+0.1x5.31+0.2
	2	28	7/0.127	0.38	0.29	0.92	white/red	0.02	1.7+0.1x5.31+0.2
	3	26	7/0.16	0.48	0.24	0.92	white/red/red	0.02	1.7+0.1x7.31+0.3
	3	28	7/0.127	0.38	0.29	0.92	white/red/red	0.02	1.7+0.1x7.31+0.3
Center	2	26	7/0.16	0.48	0.24	0.92	white/red	0.02	1.7+0.1x5.70+0.2
	2	28	7/0.12	0.38	0.29	0.92	white/red	0.02	1.7+0.1x5.70+0.2