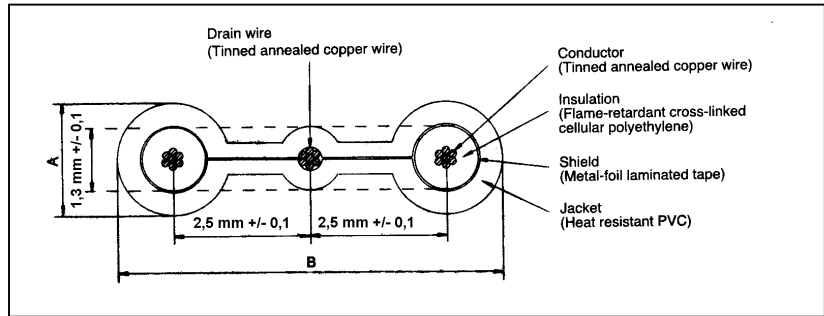


Conductor: AWG 26, CU-braid tinned, 7x0,16 (7/34) 0,14mm²



Technical data

Temperature rating	: - 20° C ~ + 80° C
Voltage rating	: ≤ 30V / 50 Hz
Test voltage	: ≥ 500V // 50 Hz eff. 1 min.
Current rating	: ≤ 3 A / 20° C
Core insulation	: cross-linked cellular polyethylene max. 90° C
Cable sheath Insulation	: PVC, grey, max. 80° C
Shielding	: PT / AL or PT / CU Foil
Flame retardant	: VW-1 SC
Conductor resistance	: ≤ 139 Ω / km at 20° C
Insulation resistance	: ≥ 1000 M Ω x km at 20° C
Capacity by 1 kHz (Ground-Signal-Ground)	: ≤ 175 pF/m
Shielding effect by 500 kHz	: > 65 dB/m
UL Style	: 1691 or 2791 (SX)
*Measured conductor/shielding	

Delivery program

Each according to design, 300 meter ~ 750 meter spools.

Order-No.	Conduct. number	Design and position the drain wire
UL1691-SX(CU)1x#26/7P=2.5	1 + 1	2-core, CU- shield, AWG 26, Side drain
UL2791-SX(CU)2x#26/7P=2,5	2 + 1	3-core, CU- shield, AWG 26, Side drain
UL2791-SX(CU/CD)2x#26/7P=2.5	2 + 1	3-core, CU- shield, AWG 26, Center drain
UL1691-SX(AL)1x#26/7P=2.5	1 + 1	2-core, AL- shield, AWG 26, Side drain

Position of drain wire	No. of conductors	Conductor			Insulation		Colour	Shield thick. (mm)	Outer diameter A x B (mm)
		Size (AWG)	Stranding (No./mm)	Diameter (mm)	Thickness (mm)	Diameter (mm)			
	1	26	7/0.16	0.48	0.41	1.3	white	0.02	2.1+0.1x4.2+0.2
Side	2	26	7/0.16	0.48	0.41	1.3	white/red	0.02	2.1+0.1x6.7+0.2
Center	2	26	7/0.16	0.48	0.41	1.3	white/red	0.02	2.1+0.1x7.1+0.2