

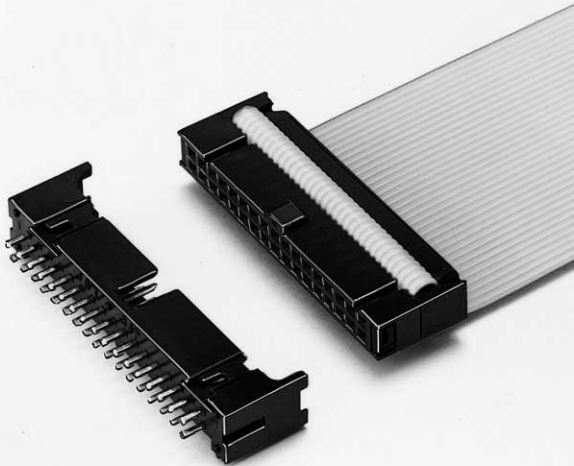


JST

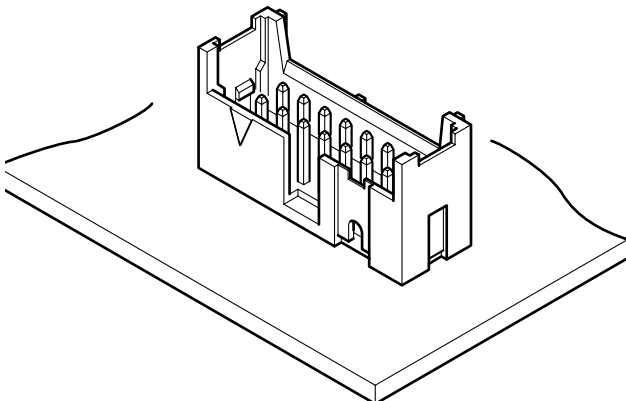
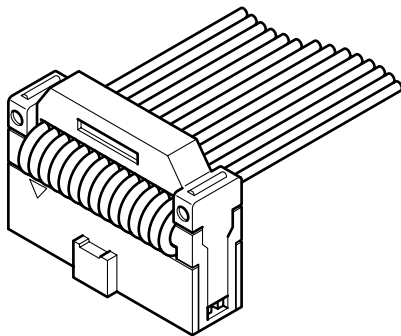
2.54mm
pitch

RK HEADER

Shrouded headers



This low profile box header is best suited for high-density, low-cost internal connections in office automation equipment.



Features

• Interchangeability

This header was designed to mate with the receptacle side of connectors conforming to MIL-C-83503, including JST's RA connector.

• Low cost

The posts are selectively gold-plated at their mating end and tin-plated on their solder side. This reduces costs without hampering the connector's effectiveness. (Headers with completely tin-plated contacts are also available.)

• Low-profile

The header has a low profile with a mounting height of 19.0mm when a plug with a strain relief is used.

This height is approximately 10.0mm lower than the mounting height of the conventional MIL-C-83503 header and thus maximizes the efficient use of space in electronic equipment.

• No contamination by flux or cleaning fluids

Sufficient stand-off area is provided to prevent flux and cleaning fluid contamination.

Specifications

- Current rating: 1.0A AC, DC
- Voltage rating: 300V AC, DC
- Temperature range: (including temperature rise in applying electrical current)
 - 55°C to +125°C (gold-plated)
 - 55°C to +105°C (tin-plated)
- Applicable PC board thickness: 1.6mm
- * RoHS compliant products are published.
- * Refer to "General Instruction and Notice when using Terminals and Connectors" at the end of this catalog.
- * Contact JST for details.

Standards

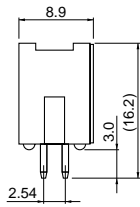
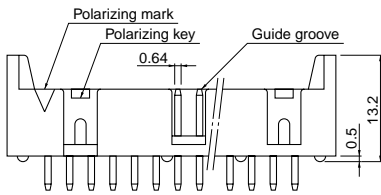
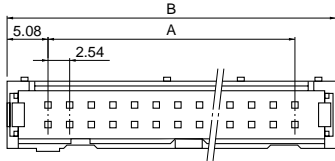
 Recognized E60389

 Certified LR20812

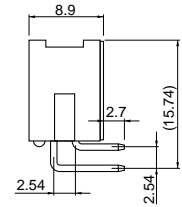
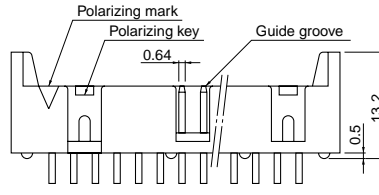
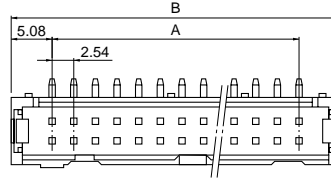
RK HEADER

Connector

Top entry type



Side entry type



Circuits	Model No.				Guide groove	Polarizing key	Dimensions (mm)		Q'ty / box
	Gold-plated header		Tin-plated header				A	B	
	Top entry type	Side entry type	Top entry type	Side entry type					
14	RK-H141TD-0130	RK-H141SD-0110	RK-H141TD-0190	RK-H141SD-0190	1	1	15.24	25.40	100
34	RK-H341TD-0130	RK-H341SD-0110	RK-H341TD-0190	RK-H341SD-0190	1	2	40.64	50.80	50
40	RK-H401TD-0130	RK-H401SD-0110	RK-H401TD-0190	RK-H401SD-0190	1	2	48.26	58.42	50

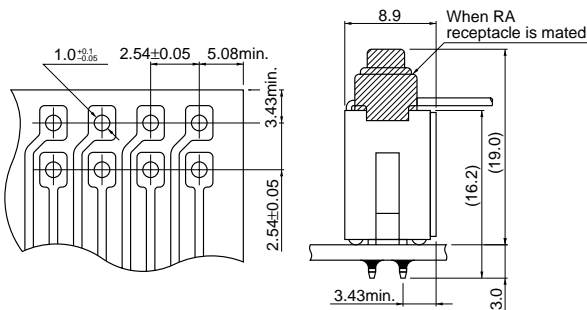
Material and Finish

Post: Gold-plated product: Side entry type; Brass, nickel-undercoated, Mating part; gold-plated.
 Insulation displacement part; tin-plated (reflow treatment)
 Top entry type; Brass, nickel-undercoated, Overall; gold-plated
 Tin-plated product: Brass, copper-undercoated, tin-plated (reflow treatment)
 Housing: PBT, UL94-0, black

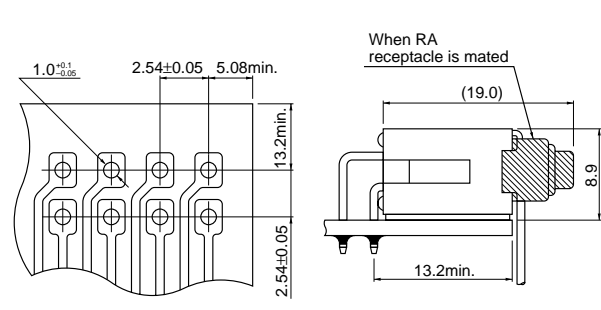
RoHS compliance This product displays (LF)(SN) on a label. (Except gold-plated product, top entry type)

PC board layout (viewed from soldering side) and Assembly layout

Top entry type



Side entry type



Note: 1. Tolerances are non-cumulative: $\pm 0.05\text{mm}$ for all centers.
 2. Hole dimensions differ according to the kind of PC board and piercing method. The dimensions above should serve as a guideline.
 Contact JST for details.