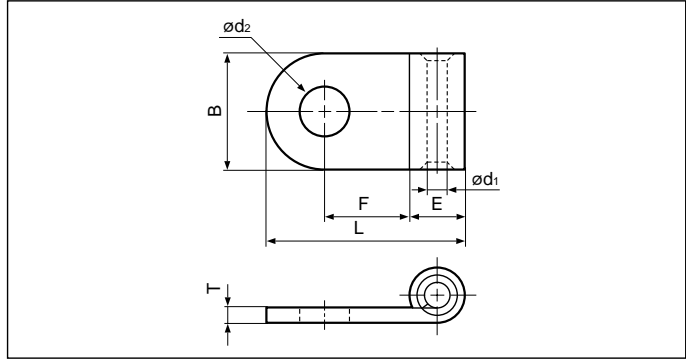


File No.: E42024 LR20812

Applicable Wire AWG#(mm ²)	Stud size		Part No.	Standard	Dimensions mm (in.)						Tool No.								Qty/box	
	American	Metric			ϕd_2	B	L	F	E	ϕd_1	T	YG-2216	YG-1614	YG-1210	YG-85	YG-14S	YA-1	YA-2		YA-4
22 to 16 (0.25 to 1.65)	5-6	3.5	FG1.25-S3		3.7 (.146)	8.0 (.315)	14.3 (.563)	7.0 (.276)	3.4 (.134)	1.7 (.067)	0.8 (.031)	0								1,000
	8	4	FG1.25-S4		4.3 (.169)	8.0 (.315)	14.3 (.563)	7.0 (.276)												
	8	4	FG1.25-4		4.3 (.169)	9.6 (.378)	15.5 (.610)	7.4 (.291)												
	10	5	FG1.25-S5		5.3 (.209)	8.0 (.315)	14.3 (.563)	7.0 (.276)												
	10	5	FG1.25-5		5.3 (.209)	9.6 (.378)	15.5 (.610)	7.4 (.291)												
	1/4	6	FG1.25-6		6.4 (.252)	9.6 (.378)	15.5 (.610)	7.4 (.291)												
16 to 14 (1.04 to 2.63)	3-4	3	FG2-S3		3.2 (.126)	7.6 (.299)	13.2 (.520)	5.4 (.213)	4.1 (.161)	2.3 (.091)	0.8 (.031)	0								500
	3-4	3	FG2-3		3.2 (.126)	9.6 (.378)	16.2 (.638)	7.4 (.291)												
	5-6	3.5	FG2-3.7		3.7 (.146)	9.6 (.378)	16.2 (.638)	7.4 (.291)												
	8	4	FG2-S4		4.3 (.169)	7.6 (.299)	13.2 (.520)	5.4 (.213)												
	8	4	FG2-4		4.3 (.169)	9.6 (.378)	16.2 (.638)	7.4 (.291)												
	10	5	FG2-5		5.3 (.209)	9.6 (.378)	16.2 (.638)	7.4 (.291)												
12 to 10 (2.63 to 6.64)	5-6	3.5	FG5.5-3.5		3.7 (.146)	9.6 (.378)	17.8 (.701)	7.4 (.291)	5.6 (.220)	3.4 (.134)	1.0 (.039)	0								500
	8	4	FG5.5-4		4.3 (.169)	9.6 (.378)	17.8 (.701)	7.4 (.291)												
	10	5	FG5.5-5		5.3 (.209)	9.6 (.378)	17.8 (.701)	7.4 (.291)												
	1/4	6	FG5.5-6		6.4 (.252)	9.6 (.378)	17.8 (.701)	7.4 (.291)												
8 (6.64 to 10.52)	10	5	FG8-5		5.3 (.209)	12.6 (.496)	23.0 (.906)	9.5 (.374)	7.1 (.280)	4.5 (.177)	1.2 (.047)	0								250
	1/4	6	FG8-6		6.4 (.252)	12.6 (.496)	23.0 (.906)	9.5 (.374)												
	5-16	8	FG8-8		8.4 (.331)	15.5 (.610)	28.5(1.122)	13.6 (.535)												
	3/8	10	FG8-10		10.5 (.413)	15.5 (.610)	28.5(1.122)	13.6 (.535)												
6 (10.52 to 16.78)	10	5	FG14-5		5.3 (.209)	12.6 (.496)	25.0 (.984)	9.7 (.382)	9.0 (.354)	5.8 (.228)	1.5 (.059)	0								200
	1/4	6	FG14-6		6.4 (.252)	12.6 (.496)	25.0 (.984)	9.7 (.382)												
	5/16	8	FG14-8		8.4 (.331)	15.8 (.622)	30.5(1.201)	13.5 (.531)												
	3/8	10	FG14-10		10.5 (.413)	15.8 (.622)	30.5(1.201)	13.5 (.531)												
4 (16.78 to 26.66)	10	5	FG22-5		5.3 (.209)	14.0 (.551)	28.0(1.102)	9.6 (.378)	11.5 (.453)	7.7 (.303)	1.8 (.071)									100
	1/4	6	FG22-6		6.4 (.252)	14.0 (.551)	28.0(1.102)	9.6 (.378)												
	5/16	8	FG22-8		8.4 (.331)	17.5 (.689)	34.0(1.339)	13.8 (.543)												
	3/8	10	FG22-10		10.5 (.413)	17.5 (.689)	34.0(1.339)	13.8 (.543)												

Note:1) The part numbers indicated in the above table are for products with a brazed seam.
 When ordering products with a nominal size of 1.25 to 5.5 with a butted seam, add the prefix "WS" to the part number (ex. FG2-4 → **WSFG2-4**).
 2) Delivery lead times may vary depending on the product. Contact JST for details.



Applicable Wire AWG#(mm ²)	Stud size		Part No.	Standard	Dimensions mm (in.)							Tool No.								Qty/box									
	American	Metric			ød ₂	B	L	F	E	ød ₁	T	YG-2216	YG-1614	YG-1210	YG-8S	YG-14S	YA-1	YA-2	YA-4		YA-5	VF-1, E-4+ YEG-150							
2 (26.66 to 42.42)	1/4	6	FG38-6	UL Ⓢ	6.4 (.252)	18.2 (.717)	36.0(1.417)	13.6 (.535)	13.3 (.524)	9.4 (.370)	1.8 (.071)														100				
	5/16	8	FG38-8		8.4 (.331)	18.2 (.717)	36.0(1.417)	13.6 (.535)																					
	3/8	10	FG38-10		10.5 (.413)	18.2 (.717)	36.0(1.417)	13.6 (.535)																					
1/0 (42.42 to 60.57)	1/4	6	FG60-6	UL Ⓢ	6.4 (.252)	22.0 (.866)	44.0(1.732)	17.6 (.693)	15.5 (.610)	11.4 (.449)	2.0 (.079)														50				
	5/16	8	FG60-8		8.4 (.331)	22.0 (.866)	44.0(1.732)	17.6 (.693)																					
	3/8	10	FG60-10		10.5 (.413)	22.0 (.866)	44.0(1.732)	17.6 (.693)																					
	1/2	12	FG60-12		13.0 (.512)	22.0 (.866)	44.0(1.732)	17.6 (.693)																					
2/0 (60.57 to 76.28)	1/4	6	FG70-6	UL Ⓢ	6.4 (.252)	23.8 (.937)	47.0(1.850)	17.5 (.689)	17.5 (.689)	13.3 (.524)	2.0 (.079)														25				
	5/16	8	FG70-8		8.4 (.331)	23.8 (.937)	47.0(1.850)	17.5 (.689)																					
	3/8	10	FG70-10		10.5 (.413)	23.8 (.937)	47.0(1.850)	17.5 (.689)																					
	1/2	12	FG70-12		13.0 (.512)	23.8 (.937)	47.0(1.850)	17.5 (.689)																					
3/0 (76.28 to 96.3)	1/4	6	FG80-6	UL Ⓢ	6.4 (.252)	27.0(1.063)	51.0(2.008)	18.1 (.713)	19.5 (.768)	14.5 (.571)	2.3 (.091)														25				
	5/16	8	FG80-8		8.4 (.331)	27.0(1.063)	51.0(2.008)	18.1 (.713)																					
	3/8	10	FG80-10		10.5 (.413)	27.0(1.063)	51.0(2.008)	18.1 (.713)																					
	1/2	12	FG80-12		13.0 (.512)	27.0(1.063)	51.0(2.008)	18.1 (.713)																					
4/0 (96.3 to 117.2)	5/16	8	FG100-8	UL Ⓢ	8.4 (.331)	28.6(1.126)	54.0(2.126)	17.7 (.697)	22.3 (.878)	16.4 (.646)	2.6 (.102)														25				
	3/8	10	FG100-10		10.5 (.413)	28.6(1.126)	54.0(2.126)	17.7 (.697)																					
	1/2	12	FG100-12		13.0 (.512)	28.6(1.126)	54.0(2.126)	17.7 (.697)																					

Note: 1) Delivery lead times may vary depending on the product. Contact JST for details.