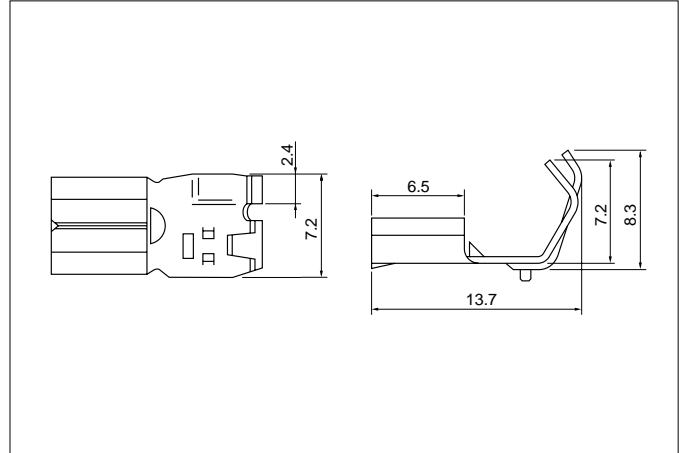


CLUSTER PIN TERMINAL



This terminal is used to connect a cluster pin (2.3mm in diameter) to a lead of a motor hermetically sealed in a compressor of a refrigerator, freezer or air conditioner. The contact is made of tin plated phosphor bronze to ensure a highly reliable connection for an extended period.



RU Recognized E60389

CS Certified LR20812

Model No.	Applicable wire			Q'ty / reel
	mm ²	AWG #	Insulation O.D. (mm)	
SFO-41T-2.3	0.75 to 1.25	18 to 16	2.1 to 3.4	5,000

Material and Finish

Phosphor bronze, tin-plated

RoHS compliance

Crimping machine, Applicator

Contact	Crimping machine	Crimp applicator	Dies	Crimp applicator with dies
SFO-41T-2.3	AP-K2N	MKF-L-23	MK/SFO-41-23	APL SFO41-23

* RoHS compliant products are published.

* Refer to "General Instruction and Notice when using Terminals and Connectors" at the end of this catalog.

* Contact JST for details.