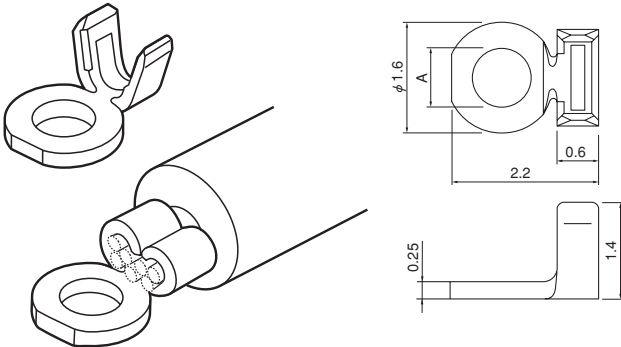
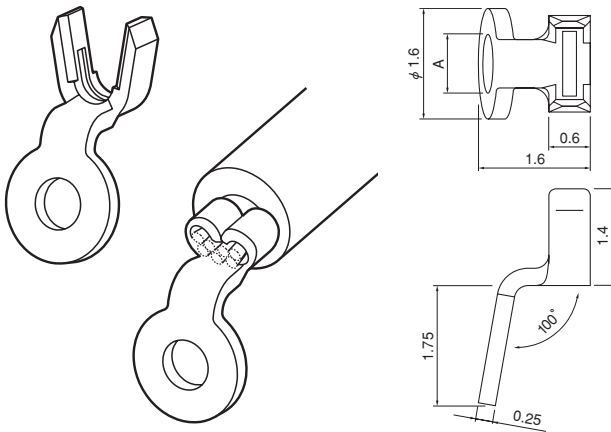


# LCD BACK-LIGHT TERMINAL

## Straight type



## Bent type



- Provides soldering connection between the Dumet wire and lead wire of the LCD Back-light CCFT.
- Improves quality and shortens lead-time by crimping both ends and there is no need for the rounding process of the lead wire.
- Also applicable to other connections between the pin and lead wire of the Solenoid or Coil inside small equipment such as Digital Cameras.
- Post plating feature provides tin/lead plating inside the ring and ensures reliable solder ability.
- Five types are available for different sizes of Dumet wire.

	Straight type	Dimension A	Bent type	Dimension A
Model No.	<b>SRI-00T-0.5</b>	φ 0.5□	<b>SRI-00T-0.5L</b>	φ 0.5□
	<b>SRI-00T-0.6</b>	φ 0.6□	<b>SRI-00T-0.6L</b>	φ 0.6□
	<b>SRI-00T-0.7</b>	φ 0.7□	<b>SRI-00T-0.7L</b>	φ 0.7□
	<b>SRI-00T-0.9</b>	φ 0.85□	<b>SRI-00T-0.9L</b>	φ 0.85□
	<b>SRI-00T-1.0</b>	φ 0.95	<b>SRI-00T-1.0L</b>	φ 0.95
Material□ and Finish	Copper alloy, nickel-undercoated, tin/copper alloy-plated			
Q'ty / reel	30,000		16,000	
Applicable□ wire	AWG#28~#24 (0.08mm <sup>2</sup> ~0.22mm <sup>2</sup> ) □			
Crimping□ tool	Crimping machine/ AP-K2□ Applicator/ MKS-L□ Dies/ SRI-00 (Straight type), SRI-00-L (Bent type)□ Crimp applicator with dies/ APLMK SRI-00, APLMK SRI-00-L			

RoHS compliance This product displays (LF) on a label.

- \* RoHS compliant products are published.
- \* Refer to "General Instruction and Notice when using Terminals and Connectors" at the end of this catalog.
- \* Contact JST for details.