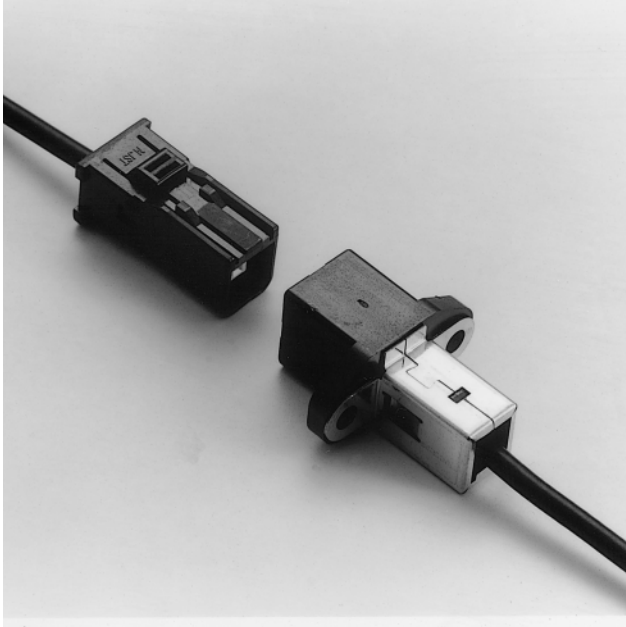
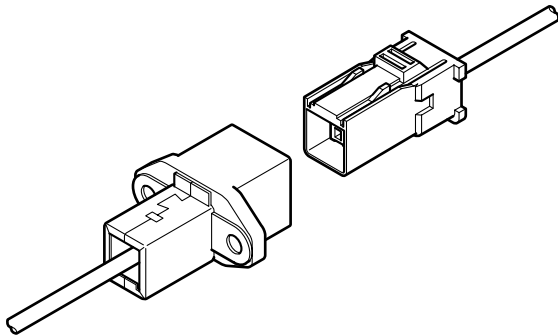


# CN CONNECTOR

Disconnectable Crimp style Wire-to-wire connectors



**Connector for the GPS antenna system of the car navigation system. The CN connector applies the unique crimping method to the shielding meshed wires, which will result in superior high-frequency characteristics.**



## Features

- **Cost effective**

Less expensive than the conventional high-frequency connectors.

- **Crimping method and shape**

Shielding meshed wires are crimped with the N-type crimp shape, which prevents the deflection and coming off of the meshed wires.

- **Superb high-frequency characteristics**

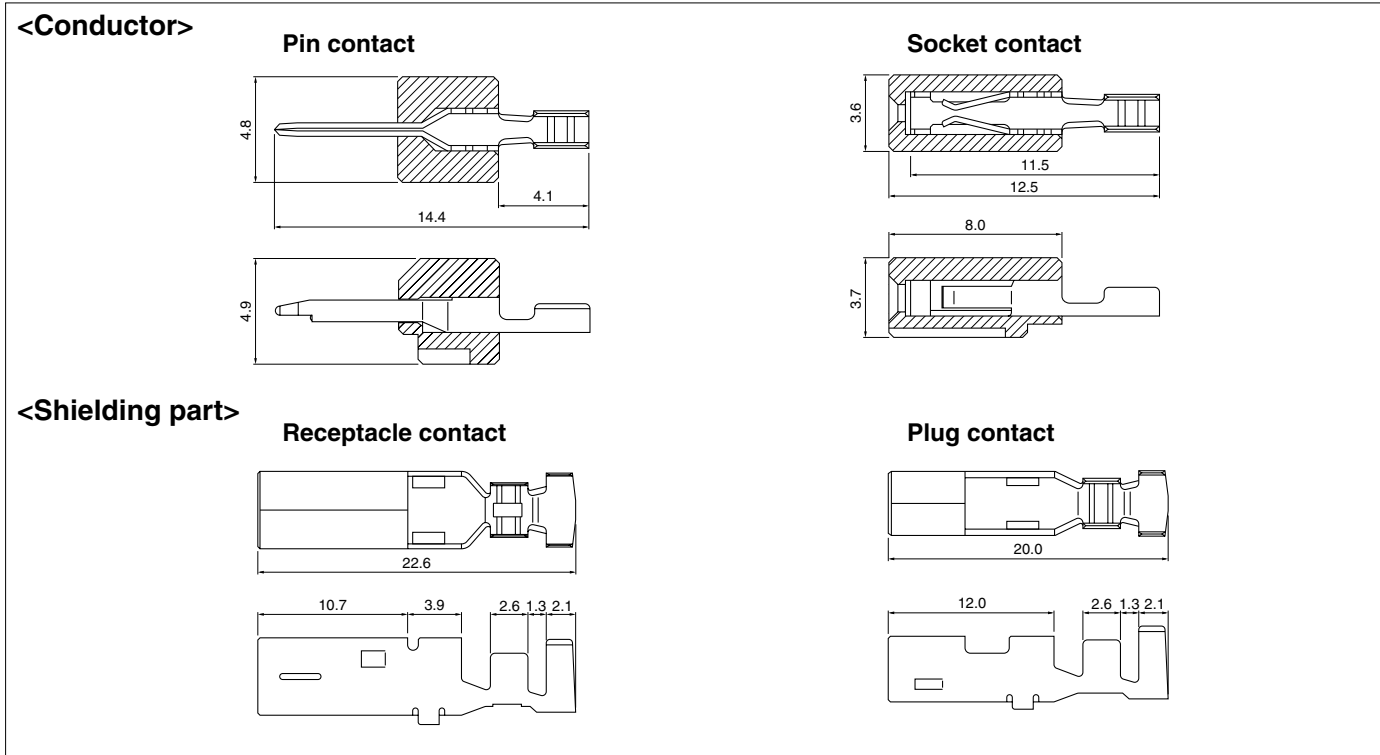
This connector can keep low VSWR characteristics, while serving high-frequency characteristics.

## Specifications

- Current rating: 1.0A AC, DC max. (AWG #25)
- Voltage rating: 250V AC, DC max.
- Temperature range: -30°C to +105°C  
(including temperature rise in applying electrical current)
- Contact resistance: Initial value/30m Ω max.  
After environmental testing/60m Ω max.
- Insulation resistance: 100M Ω min.
- Withstanding voltage: 1,000V AC/minute
- Applicable wire:
  - Inner conductor cross sectional area /0.05 to 0.2mm<sup>2</sup>
  - Outer conductor O.D. /0.85 to 2.2mm
  - Sheath O.D. /1.45 to 3.3mm
- \* RoHS compliant products are published.
- \* Refer to "General Instruction and Notice when using Terminals and Connectors" at the end of this catalog.
- \* Contact JST for details.

# CN CONNECTOR

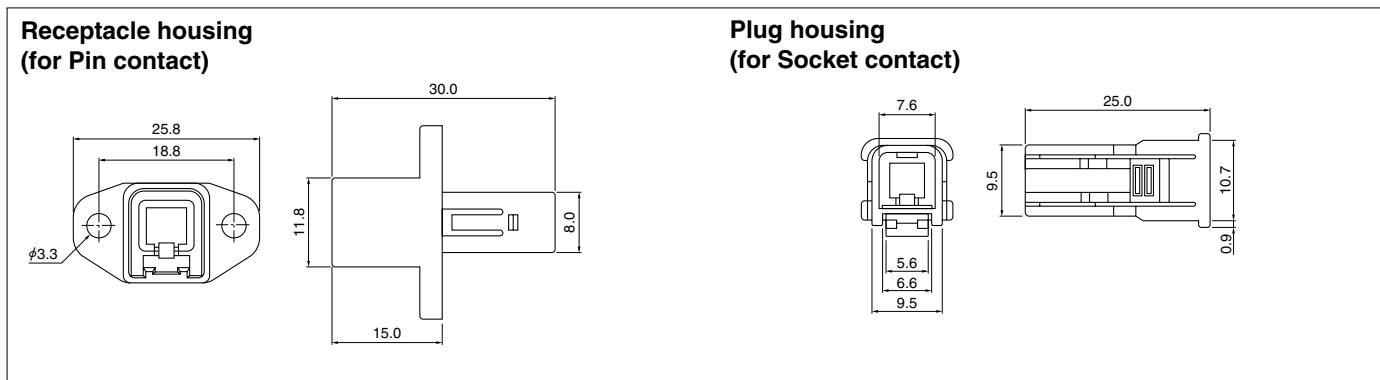
## Contact



Part name		Model No.	Q'ty / reel	Material and Finish
Conductor	Pin contact	<b>CN-SAP1190</b>	3,000	Brass, tin-plated (reflow treatment)
	Socket contact	<b>CN-SAS1290</b>	3,000	Phosphor bronze, tin-plated (reflow treatment)
Shielding part	Receptacle contact	<b>SCF-61T-4.6</b>	1,200	Brass, tin-plated (reflow treatment)
	Plug contact	<b>SCM-61T-4.6</b>	1,500	

RoHS compliance

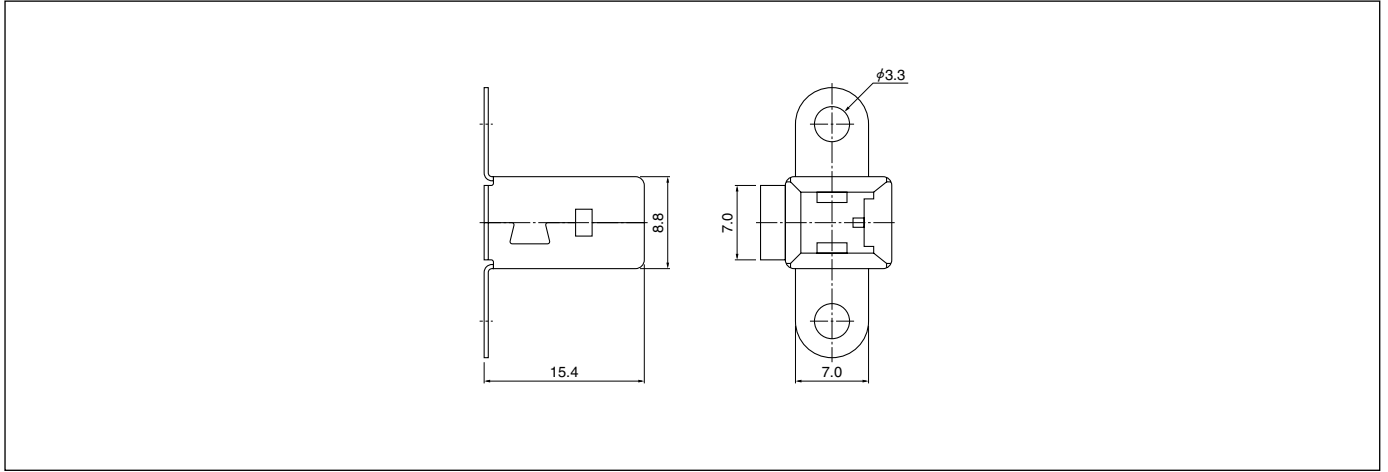
## Housing



Part name	Model No.	Q'ty / box	Material
Receptacle housing (for Pin contact)	<b>CNR-01V</b>	1,000	Glass-filled PBT, UL94V-0
Plug housing (for Socket contact)	<b>CNP-01V</b>	1,000	

RoHS compliance

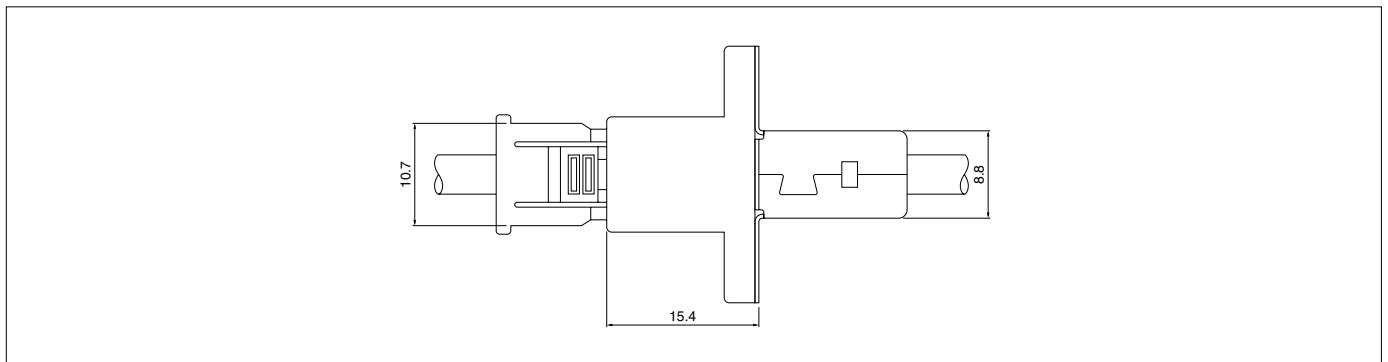
## Shielding cover



Model No.	Q'ty / box	Material and Finish
CN-SC-11	400	Phosphor bronze, tin-plated (reflow treatment)

RoHS compliance

## Assembly layout



## Crimping machine, Applicator

### Conductor

Contact	Crimping machine	Crimp applicator	Dies	Crimp applicator with dies
CN-SAP1190 CN-SAS1290	AP-K2N	MKS-L	MK/CN-SAP/S1	APLMK CN-SAP/S1

## Crimping tool (Pneumatic press)

### Shielding part

Contact	Crimp tool	Control unit
BCF-61T-4.6 (loose piece)	MP-CN-BCF61	-
BCM-61T-4.6 (loose piece)	MP-CN-BCM61	-
SCF-61T-4.6 (chain)	MP-CN-SCF61	MP-CU-CN (S)
SCM-61T-4.6 (chain)	MP-CN-SCM61	MP-CU-CN (S)

Note: Contact JST for details.