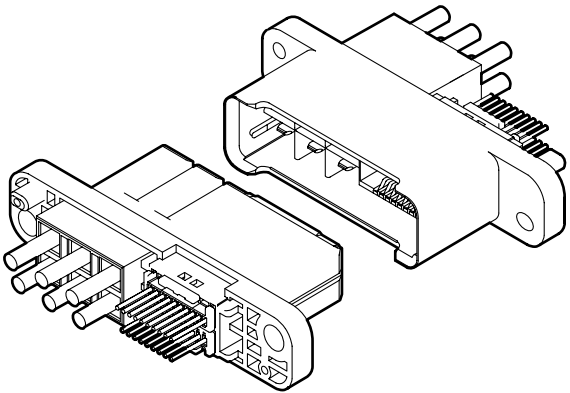


# RWZ CONNECTOR L-Type



**This connector is a hybrid type double-row drawer connector combined signal and power supply circuits connector to connect the units. RWZ connector with lever locking device is adopted as applicable socket to prevent incomplete mating.**

- Signal circuit 1.5mm pitch lever-locking type
- Hybrid type
- High durability
- Absorbed misalignment mechanism

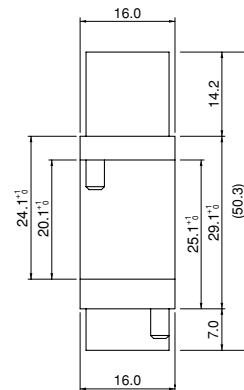
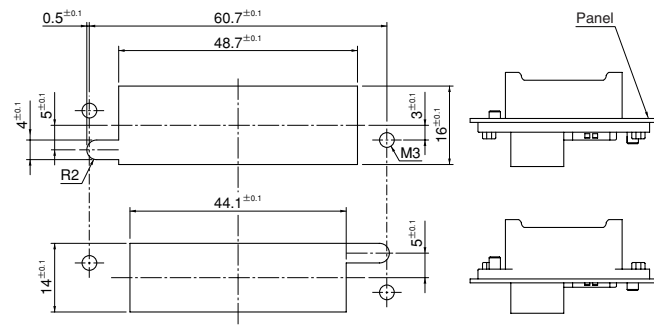
## Specifications

- Current rating: Signal circuit/1.0A AC, DC (AWG#26)  
Power supply circuit/15A AC, DC (AWG#14)
- Voltage rating: Signal circuit/50V AC, DC  
Power supply circuit/250V AC, DC
- Temperature range: -25°C to +85°C  
(including temperature rise in applying electrical current)
- Contact resistance: Signal circuit Initial value/40m Ω max.  
After environmental testing/60m Ω max.  
Power supply circuit Initial value/10m Ω max.  
After environmental testing/20m Ω max.
- Insulation resistance: 500M Ω min.
- Withstanding voltage: Signal circuit 500V AC/minute  
Power supply circuit 1,500V AC/minute
- Applicable wire: Signal circuit Applicable socket/ RCZ connector  
Power supply circuit Conductor size/AWG#24 to #14  
Insulation O.D. /1.4 to 3.6mm
- Mounting method: Screw
- \* RoHS compliant products are published.
- \* Refer to "General Instruction and Notice when using Terminals and Connectors" at the end of this catalog.
- \* Contact JST for details.

## PC board layout and Assembly layout

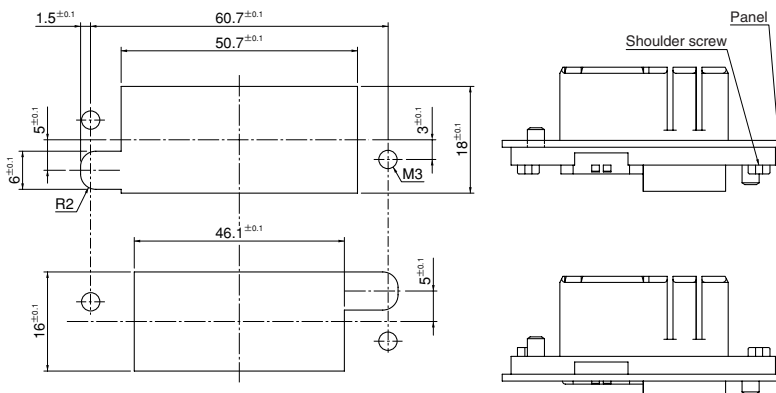
### Plug

Panel thickness: 0.8 to 2.0mm



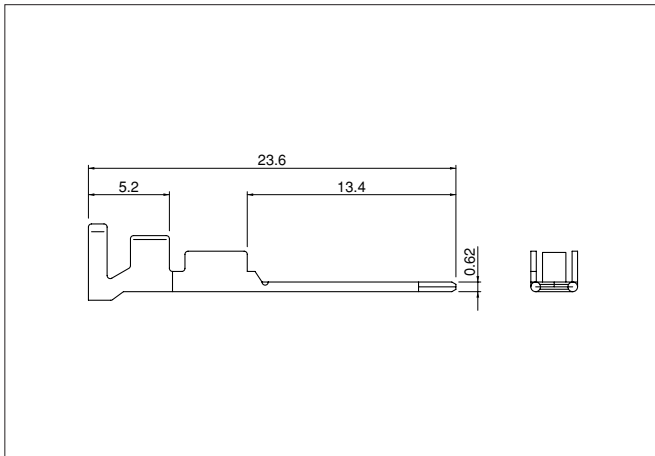
### Receptacle

Panel thickness: 0.8 to 2.0mm



# RWZ CONNECTOR L-Type

## Plug contact for power supply circuit



Model No.	Applicable wire		Insulation O.D. (mm)	Q'ty/reel
	mm <sup>2</sup>	AWG #		
<b>SRWM-01GG-S0.6</b>	0.2 ~0.5	24~20	1.4 ~1.9	4,000
<b>SRWM-21GG-S0.6</b>	0.3 ~0.75	22~18	1.55~3.1	3,000
<b>SRWM-61GG-S0.6</b>	0.75~2.0	18~14	2.0 ~3.6	3,000

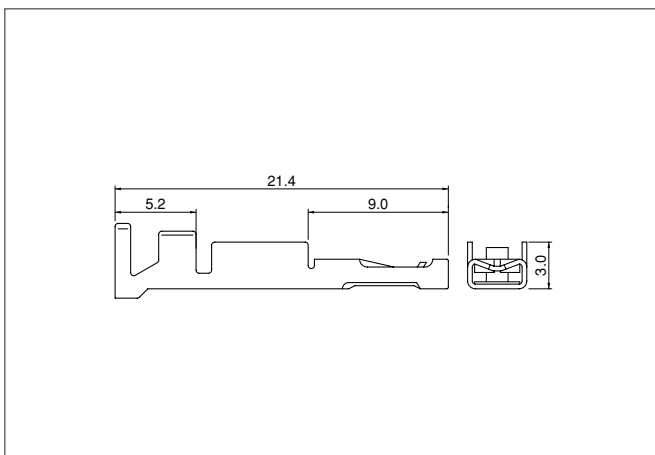
### Material and Finish

Copper alloy, nickel-undercoated, Mating part; gold-plated  
Crimping part; tin-plated (reflow treatment)

**RoHS compliance** This product displays (LF)(SN) on a label.

Contact	Crimping machine	Applicator		
		Crimp applicator	Dies	Crimp applicator with dies
<b>SRWM-01GG-S0.6</b>	AP-K2N	MKS-L	MK/SRPF/M-01-06	APLMK SRPF/M01-06
		—	—	—
<b>SRWM-21GG-S0.6</b>		MKS-L	MK/SRPF/M-21-06	APLMK SRPF/M21-06
		—	—	—
<b>SRWM-61GG-S0.6</b>		MKS-L	MK/SRPF/M-61-06	APLMK SRPF/M61-06
		—	—	—

## Receptacle contact for power supply circuit



Model No.	Applicable wire		Insulation O.D. (mm)	Q'ty/reel
	mm <sup>2</sup>	AWG #		
<b>SRWF-01GG-M0.6</b>	0.2 ~0.5	24~20	1.4 ~1.9	4,000
<b>SRWF-21GG-M0.6</b>	0.3 ~0.75	22~18	1.55~3.1	3,000
<b>SRWF-61GG-M0.6</b>	0.75~2.0	18~14	2.0 ~3.6	3,000

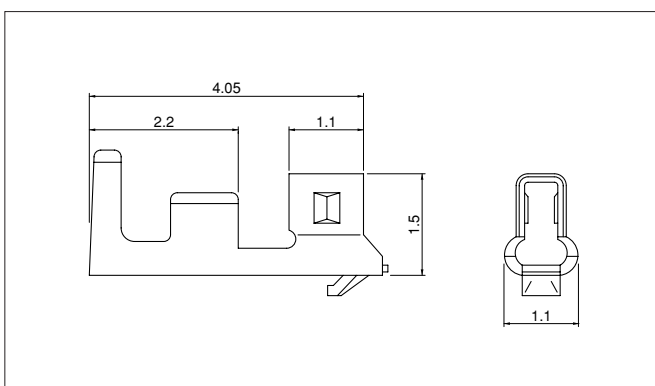
### Material and Finish

Copper alloy, nickel-undercoated, Mating part; gold-plated  
Crimping part; tin-plated (reflow treatment)

**RoHS compliance** This product displays (LF)(SN) on a label.

Contact	Crimping machine	Applicator		
		Crimp applicator	Dies	Crimp applicator with dies
<b>SRWF-01GG-M0.6</b>	AP-K2N	MKS-L	MK/SRPF/M-01-06	APLMK SRPF/M01-06
		—	—	—
<b>SRWF-21GG-M0.6</b>		MKS-L	MK/SRPF/M-21-06	APLMK SRPF/M21-06
		—	—	—
<b>SRWF-61GG-M0.6</b>		MKS-L	MK/SRPF/M-61-06	APLMK SRPF/M61-06
		—	—	—

## CZH connector contact



Model No.	Applicable wire		Insulation O.D. (mm)	Q'ty/reel
	mm <sup>2</sup>	AWG #		
<b>SCZH-002T-P0.5</b>	0.08~0.19	28~26	0.8~1.1	13,000

### Material and Finish

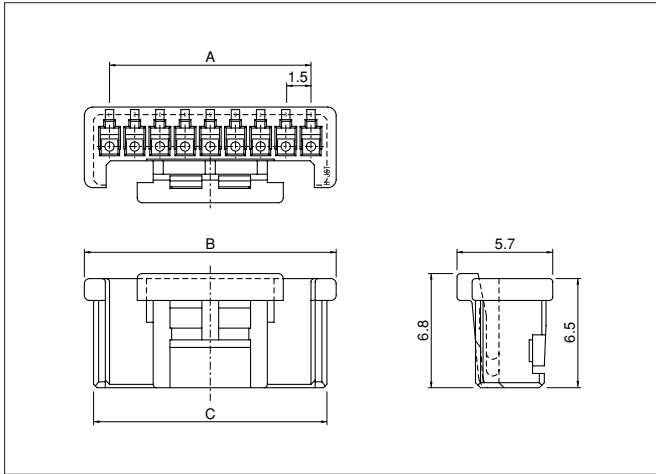
Copper alloy, tin-plated (reflow treatment)

**RoHS compliance**

Contact	Crimping machine	Applicator		
		Crimp applicator	Dies	Crimp applicator with dies
<b>SCZH-002T-P0.5</b>	AP-K2N	MKS-L	MK/SCZH-002-05	APLMK SCZH002-05
		—	—	—

# RWZ CONNECTOR L-Type

## RCZ connector socket housing



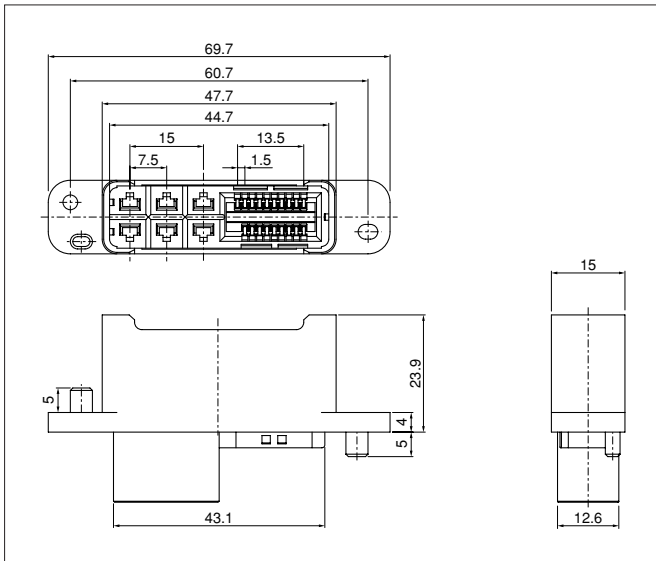
Circuits	Model No.	Dimensions (mm)			Q'ty / bag
		A	B	C	
9	<b>RCZR-09V-PS</b>	12.0	15.0	13.9	1,000
10	<b>RCZR-10V-PS</b>	13.5	16.5	15.4	1,000

### Material

PA 66, UL94V-0

**RoHS compliance** This product displays (LF)(SN) on a label.

## Plug



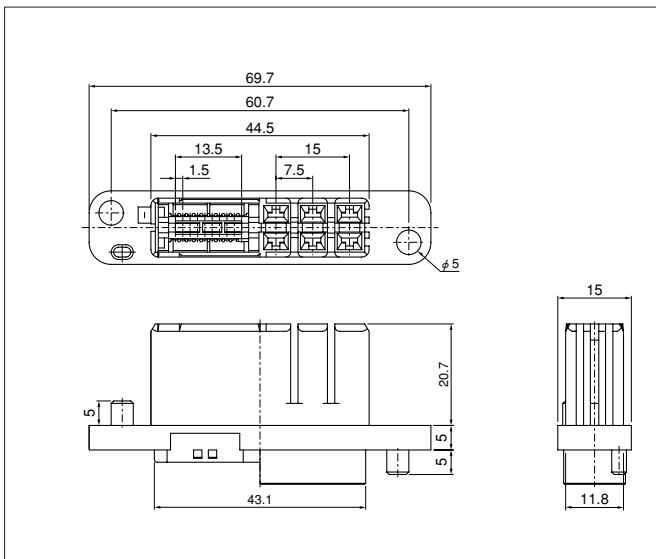
Circuits		Model No.	Q'ty / box
Power supply	Signal		
6	19	<b>19LP-RWZV-K4GG-P6</b>	168

### Material and Finish

Signal contact: Copper alloy, nickel-undercoated, selective gold-plated tin-plated (reflow-treatment)  
Housing: PBT, UL94V-0, black

**RoHS compliance** This product displays (LF)(SN) on a label.

## Receptacle



Circuits		Model No.	Q'ty / box
Power supply	Signal		
6	19	<b>19LR-RWZV-K2GG-R6</b>	168

### Material and Finish

Signal contact: Copper alloy, nickel-undercoated, selective gold-plated tin-plated (reflow-treatment)  
Housing: PBT, UL94V-0, black

**RoHS compliance** This product displays (LF)(SN) on a label.