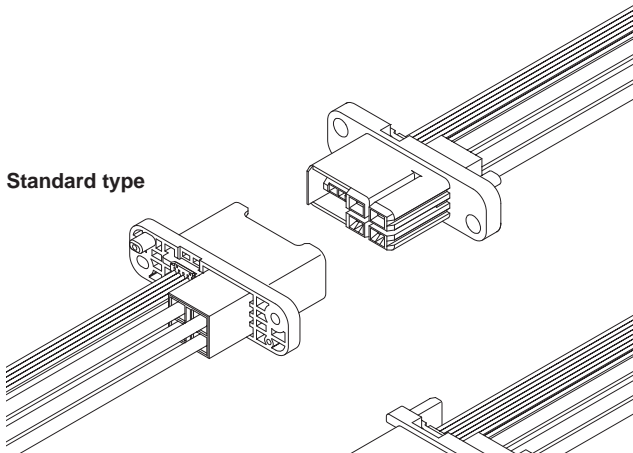


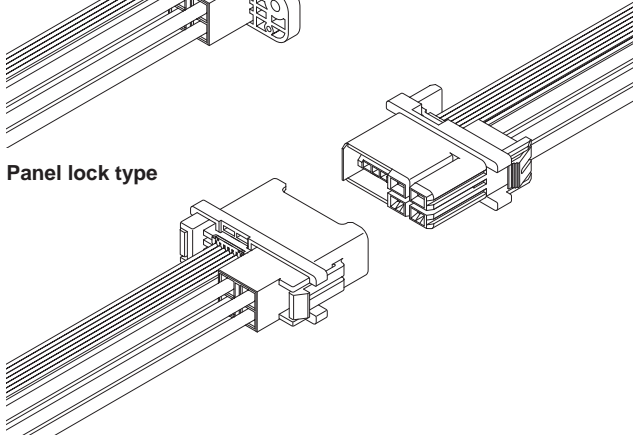
# RWZ CONNECTOR

**Disconnectable Crimp style Wire-to-wire connectors**

Standard type



Panel lock type



**In unit connection, this RWZ connector is a hybrid type double row drawer connector with combined signal and power supply circuits, absorbs misalignment between units, and excels durability.**

- Durability
- Absorbed misalignment mechanism
- Space saving
- Hybrid type

## Specifications

- Current rating: Signal circuit 1.0A AC, DC (AWG #26)  
Power supply circuit 15A AC, DC (AWG #14)
- Voltage rating: Signal circuit 50V AC, DC  
Power supply circuit 250V AC, DC
- Temperature range: -25°C to +85°C  
(including temperature rise in applying electrical current)
- Contact resistance: Signal circuit Initial value/40m Ω max.  
After environmental testing/60m Ω max.  
Power supply circuit Initial value/10mΩ max.  
After environmental testing/20m Ω max.
- Insulation resistance: 500M Ω min.
- Withstanding voltage: Signal circuit 500V AC  
Power supply circuit 1,500V AC
- Applicable wire: Power supply circuit Conductor AWG #24 to #14  
Insulation O.D. 1.4 to 3.6mm  
Signal circuit Applicable receptacle CZ, CZH
- Mounting method: Screw, panel lock
- \* RoHS compliant products are published.
- \* Refer to "General Instruction and Notice when using Terminals and Connectors" at the end of this catalog.
- \* Contact JST for details.

## Standards

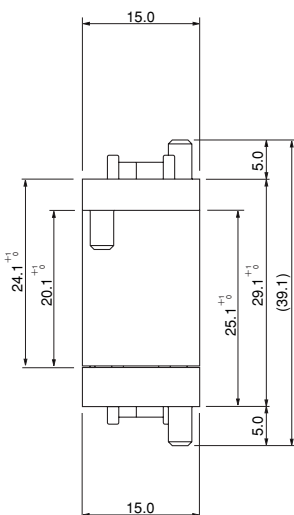
Recognized E60389

Certified LR20812

## Assembly layout

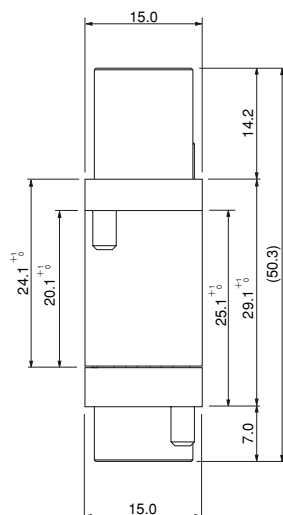
Standard type

Signal type



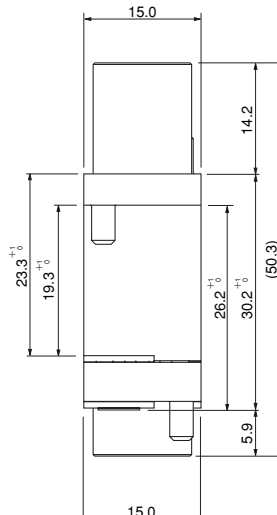
Standard type

Hybrid type



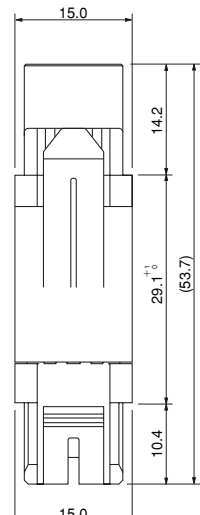
Floating bushing type

Hybrid type



Panel lock type

Hybrid type

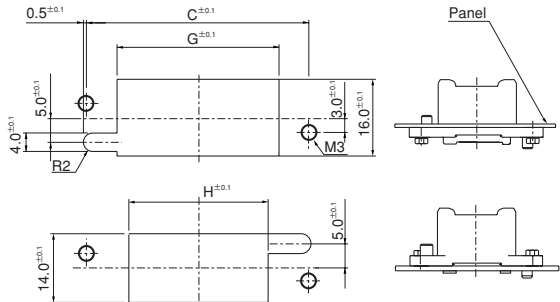


## Panel layout

### Plug

#### Standard type

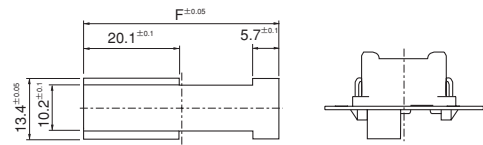
Panel thickness: 0.8 to 2.0mm



### Plug

#### Panel lock type

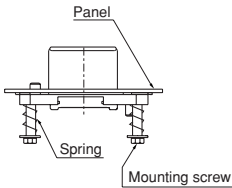
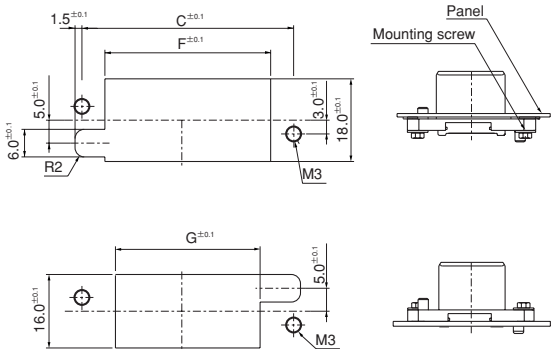
Panel thickness: 2.0mm



### Receptacle

#### Standard type

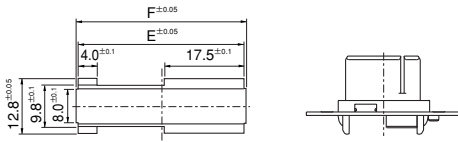
Panel thickness: 0.8 to 2.0mm



### Receptacle

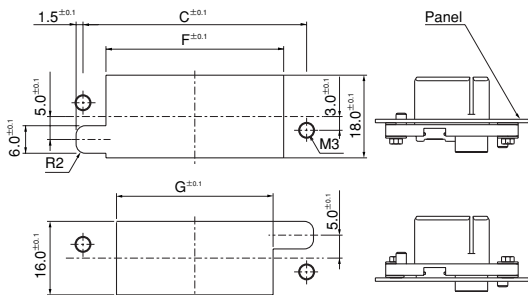
#### Panel lock type

Panel thickness: 1.2mm, 1.6mm, 2.0mm



#### Floating bushing type

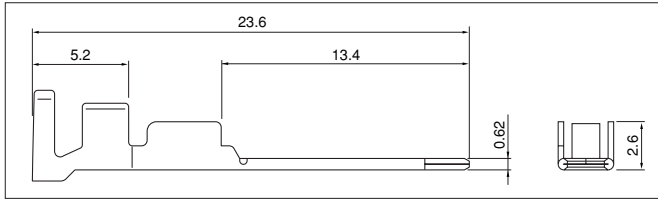
Panel thickness: 0.8 to 2.0mm



1. Punch holes in the panel according to the figures shown above. Burrs must be removed.
2. The strength of the panel must be considered when punching two or more holes.
3. The connector must be inserted from the same side as the hole is punched.

# RWZ CONNECTOR

## Plug contact for power supply circuit



| Model No.      | Applicable wire |       | Insulation O.D. (mm) | Q'ty/reel |
|----------------|-----------------|-------|----------------------|-----------|
|                | mm <sup>2</sup> | AWG # |                      |           |
| SRWM-01GG-S0.6 | 0.2 ~0.5        | 24~20 | 1.4 ~1.9             | 4,000     |
| SRWM-21GG-S0.6 | 0.3 ~0.75       | 22~18 | 1.55~3.1             | 3,000     |
| SRWM-61GG-S0.6 | 0.75~2.0        | 18~14 | 2.0 ~3.6             | 3,000     |

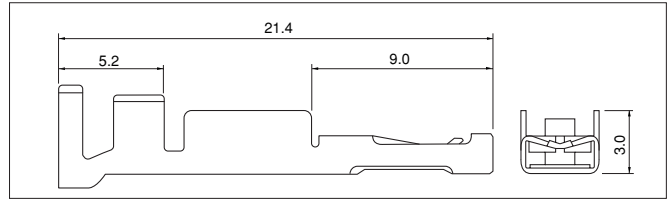
### Material and Finish

Copper alloy, nickel-undercoated, Mating part; gold-plated  
Crimping part; tin-plated (reflow treatment)

**RoHS compliance** This product displays (LF)(SN) on a label.

| Contact        | Crimping machine | Applicator       |                 |                            |
|----------------|------------------|------------------|-----------------|----------------------------|
|                |                  | Crimp applicator | Dies            | Crimp applicator with dies |
| SRWM-01GG-S0.6 | AP-K2N           | MKS-L            | MK/SRPF/M-01-06 | APLMK SRPF/M01-06          |
|                |                  | —                | —               | —                          |
| SRWM-21GG-S0.6 |                  | MKS-L            | MK/SRPF/M-21-06 | APLMK SRPF/M21-06          |
|                |                  | —                | —               | —                          |
| SRWM-61GG-S0.6 |                  | MKS-L            | MK/SRPF/M-61-06 | APLMK SRPF/M61-06          |
|                |                  | —                | —               | —                          |

## Receptacle contact for power supply circuit



| Model No.      | Applicable wire |       | Insulation O.D. (mm) | Q'ty/reel |
|----------------|-----------------|-------|----------------------|-----------|
|                | mm <sup>2</sup> | AWG # |                      |           |
| SRWF-01GG-M0.6 | 0.2 ~0.5        | 24~20 | 1.4 ~1.9             | 4,000     |
| SRWF-21GG-M0.6 | 0.3 ~0.75       | 22~18 | 1.55~3.1             | 3,000     |
| SRWF-61GG-M0.6 | 0.75~2.0        | 18~14 | 2.0 ~3.6             | 3,000     |

### Material and Finish

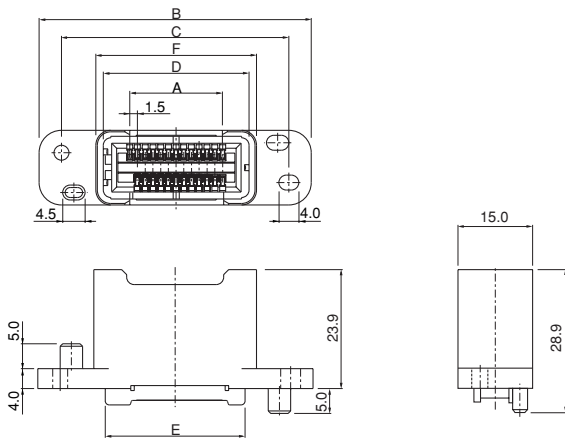
Copper alloy, nickel-undercoated, Mating part; gold-plated  
Crimping part; tin-plated (reflow treatment)

**RoHS compliance** This product displays (LF)(SN) on a label.

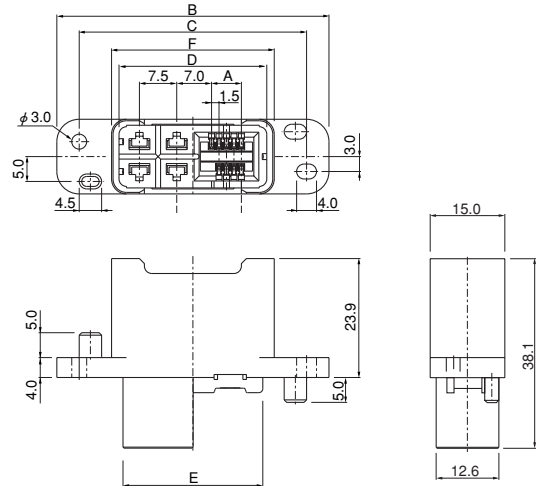
| Contact        | Crimping machine | Applicator       |                 |                            |
|----------------|------------------|------------------|-----------------|----------------------------|
|                |                  | Crimp applicator | Dies            | Crimp applicator with dies |
| SRWF-01GG-M0.6 | AP-K2N           | MKS-L            | MK/SRPF/M-01-06 | PLMK SRPF/M01-06           |
|                |                  | —                | —               | —                          |
| SRWF-21GG-M0.6 |                  | MKS-L            | MK/SRPF/M-21-06 | APLMK SRPF/M21-06          |
|                |                  | —                | —               | —                          |
| SRWF-61GG-M0.6 |                  | MKS-L            | MK/SRPF/M-61-06 | APLMK SRPF/M61-06          |
|                |                  | —                | —               | —                          |

## Plug

### Standard/Signal circuits type



### Standard/Hybrid type



| Circuits | Model No.     | Dimensions (mm) |      |      |      |      |      |      |      | Q'ty/box |
|----------|---------------|-----------------|------|------|------|------|------|------|------|----------|
|          |               | A               | B    | C    | D    | E    | F    | G    | H    |          |
| 25       | 25P-RWZV-K4GG | 18.0            | 53.2 | 44.2 | 28.2 | 26.6 | 31.2 | 32.2 | 27.6 | 240      |
| 31       | 31P-RWZV-K4GG | 22.5            | 57.7 | 48.7 | 32.7 | 31.1 | 35.7 | 36.7 | 32.1 | 216      |
| 33       | 33P-RWZV-K4GG | 24.0            | 59.2 | 50.2 | 34.2 | 32.6 | 37.2 | 38.2 | 33.6 | 192      |

### Material and Finish

Contact: Copper alloy, nickel-undercoated, selective gold-plated, tin-plated (reflow treatment)  
Housing: PBT, UL94V-0, black

**RoHS compliance** This product displays (LF)(SN) on a label.

| Circuits | Model No.        | Dimensions (mm) |      |      |      |      |      |      |      | Q'ty/box |
|----------|------------------|-----------------|------|------|------|------|------|------|------|----------|
|          |                  | A               | B    | C    | D    | E    | F    | G    | H    |          |
| 2        | 39P-RWZV-K4GG-P2 | 28.5            | 69.7 | 60.7 | 44.7 | 43.1 | 47.7 | 48.7 | 44.1 | 168      |
|          | 09P-RWZV-K4GG-P4 | 6.0             | 54.7 | 45.7 | 29.7 | 28.1 | 32.7 | 33.7 | 29.1 | 216      |
| 4        | 13P-RWZV-K4GG-P4 | 9.0             | 57.7 | 48.7 | 32.7 | 31.1 | 35.7 | 36.7 | 32.1 | 216      |
|          | 21P-RWZV-K4GG-P4 | 15.0            | 63.7 | 54.7 | 38.7 | 37.1 | 41.7 | 42.7 | 38.1 | 192      |
| 6        | 19P-RWZV-K4GG-P6 | 13.5            | 69.7 | 60.7 | 44.7 | 43.1 | 47.7 | 48.7 | 44.1 | 168      |
|          | 23P-RWZV-K4GG-P6 | 16.5            | 72.7 | 63.7 | 47.7 | 46.1 | 50.7 | 51.7 | 47.1 | 144      |

### Material and Finish

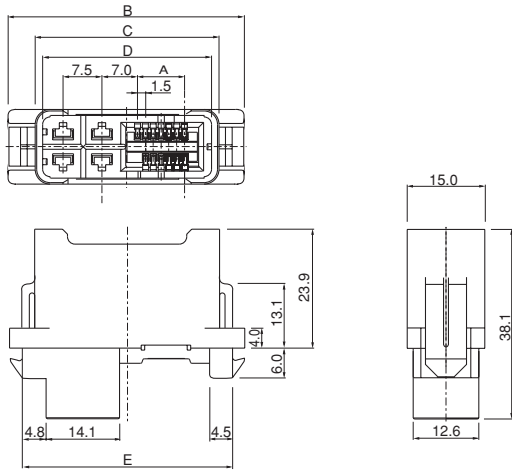
Signal contact: Copper alloy, nickel-undercoated, selective gold-plated, tin-plated (reflow treatment)  
Housing: PBT, UL94V-0, black

**RoHS compliance** This product displays (LF)(SN) on a label.

# RWZ CONNECTOR

## Plug

### Panel lock/Hybrid type



| Circuits     |        | Model No.                 | Dimensions (mm) |      |      |      |      |      | Q'ty/<br>box |
|--------------|--------|---------------------------|-----------------|------|------|------|------|------|--------------|
| Power supply | Signal |                           | A               | B    | C    | D    | E    | F    |              |
| 4            | 13     | <b>13P-RWZV-K4GG-P4FL</b> | 9.0             | 45.5 | 35.7 | 32.7 | 40.7 | 41.5 | 216          |

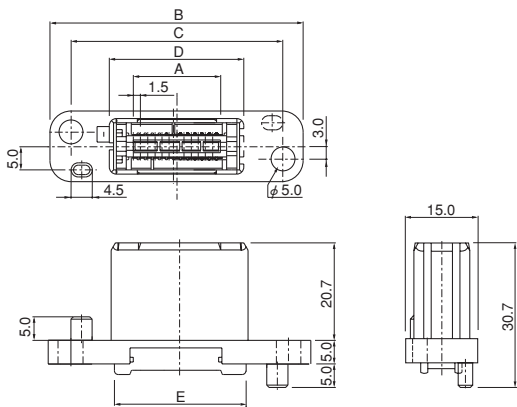
#### Material and Finish

Signal contact: Copper alloy, nickel-undercoated, selective gold-plated, tin-plated (reflow treatment)  
Housing: PBT, UL94V-0, black

**RoHS compliance** This product displays (LF)(SN) on a label.

## Receptacle

### Standard/Signal circuits type



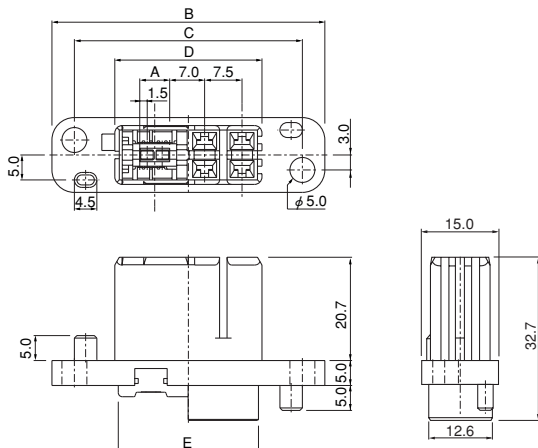
| Circuits     |        | Model No.            | Dimensions (mm) |      |      |      |      |      |      | Q'ty/<br>box |
|--------------|--------|----------------------|-----------------|------|------|------|------|------|------|--------------|
| Power supply | Signal |                      | A               | B    | C    | D    | E    | F    | G    |              |
|              | 25     | <b>25R-RWZV-K2GG</b> | 18.0            | 53.2 | 44.2 | 28.0 | 26.6 | 34.2 | 29.6 | 240          |
| -            | 31     | <b>31R-RWZV-K2GG</b> | 22.5            | 57.7 | 48.7 | 32.5 | 31.1 | 38.7 | 34.1 | 216          |
|              | 33     | <b>33R-RWZV-K2GG</b> | 24.0            | 59.2 | 50.2 | 34.0 | 32.6 | 40.2 | 35.6 | 240          |

#### Material and Finish

Contact: Copper alloy, nickel-undercoated, selective gold-plated, tin-plated (reflow treatment)  
Housing: PBT, UL94V-0, black

**RoHS compliance** This product displays (LF)(SN) on a label.

### Standard/Hybrid type



| Circuits     |        | Model No.               | Dimensions (mm) |      |      |      |      |      |      | Q'ty/<br>box |
|--------------|--------|-------------------------|-----------------|------|------|------|------|------|------|--------------|
| Power supply | Signal |                         | A               | B    | C    | D    | E    | F    | G    |              |
| 2            | 39     | <b>39R-RWZV-K2GG-P2</b> | 28.5            | 69.7 | 60.7 | 44.5 | 43.1 | 50.7 | 46.1 | 168          |
|              | 9      | <b>09R-RWZV-K2GG-P4</b> | 6.0             | 54.7 | 45.7 | 29.5 | 28.1 | 35.7 | 31.1 | 216          |
| 4            | 13     | <b>13R-RWZV-K2GG-P4</b> | 9.0             | 57.7 | 48.7 | 32.5 | 31.1 | 38.7 | 34.1 | 216          |
|              | 21     | <b>21R-RWZV-K2GG-P4</b> | 15.0            | 63.7 | 54.7 | 38.5 | 37.1 | 44.7 | 40.1 | 192          |
| 6            | 19     | <b>19R-RWZV-K2GG-P6</b> | 13.5            | 69.7 | 60.7 | 44.5 | 43.1 | 50.7 | 46.1 | 168          |
|              | 23     | <b>23R-RWZV-K2GG-P6</b> | 16.5            | 72.7 | 63.7 | 47.5 | 46.1 | 53.7 | 49.1 | 144          |

#### Material and Finish

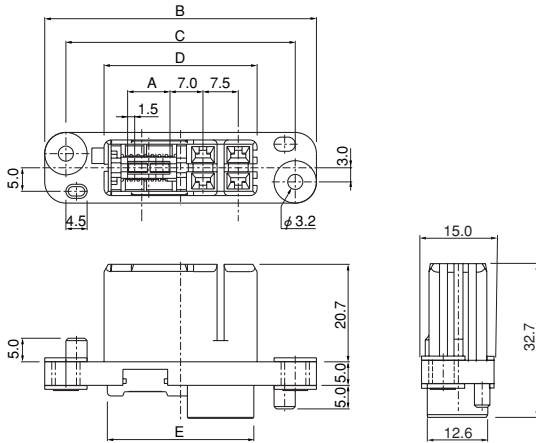
Signal contact: Copper alloy, nickel-undercoated, selective gold-plated, tin-plated (reflow treatment)  
Housing: PBT, UL94V-0, black

**RoHS compliance** This product displays (LF)(SN) on a label.

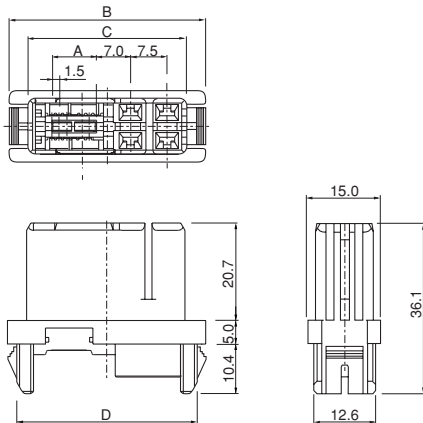
# RWZ CONNECTOR

## Receptacle

### Floating bushing/Hybrid type



### Panel lock/Hybrid type



| Circuits     |        | Model No.          | Dimensions (mm) |      |      |      |      |      |      | Q'ty/<br>box |
|--------------|--------|--------------------|-----------------|------|------|------|------|------|------|--------------|
| Power supply | Signal |                    | A               | B    | C    | D    | E    | F    | G    |              |
| 2            | 39     | 39R-RWZV-K2GG-P2BM | 28.5            | 69.7 | 60.7 | 44.5 | 43.1 | 50.7 | 46.1 | 168          |
| 4            | 21     | 21R-RWZV-K2GG-P4BM | 15.0            | 63.7 | 54.7 | 38.5 | 37.1 | 44.7 | 40.1 | 192          |

#### Material and Finish

Signal contact: Copper alloy, nickel-undercoated, selective gold-plated, tin-plated (reflow treatment)  
Housing: PBT, UL94V-0, black  
Washer: Copper alloy, nickel-plated  
Floating rivet: Copper alloy, nickel-plated

**RoHS compliance** This product displays (LF)(SN) A on a label.

| Circuits     |        | Model No.          | Dimensions (mm) |      |      |      |      |      |      | Q'ty/<br>box |
|--------------|--------|--------------------|-----------------|------|------|------|------|------|------|--------------|
| Power supply | Signal |                    | A               | B    | C    | D    | E    | F    |      |              |
| 4            | 13     | 13R-RWZV-K2GG-Q4RL | 9.0             | 40.3 | 32.5 | 36.5 | 36.7 | 37.2 | 37.5 | 264          |

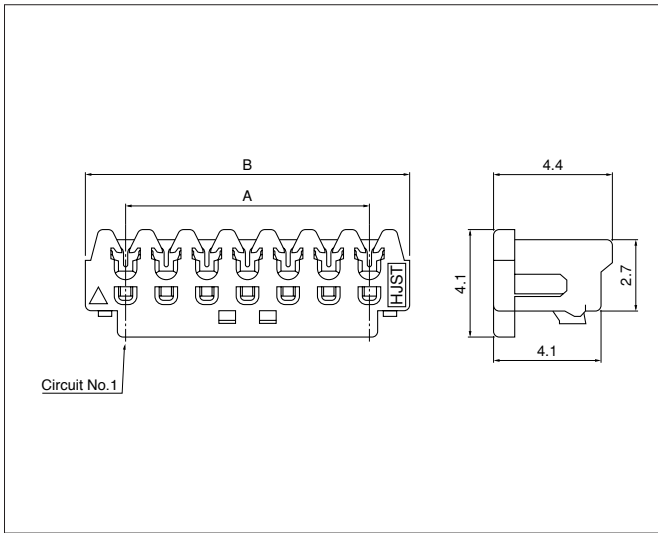
#### Material and Finish

Signal contact: Copper alloy, nickel-undercoated, selective gold-plated, tin-plated (reflow treatment)  
Housing: PBT, UL94V-0, black

**RoHS compliance** This product displays (LF)(SN) on a label.

# RWZ CONNECTOR

## CZ connector socket



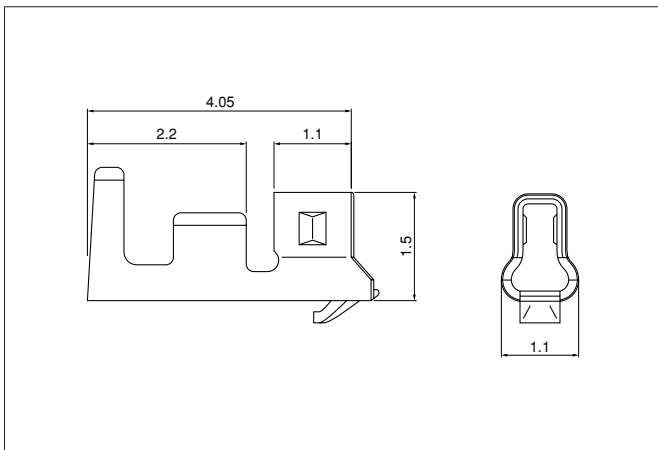
| Circuits | Model No. |         | Dimensions (mm) |      | Q'ty/box |
|----------|-----------|---------|-----------------|------|----------|
|          | Gray      | Yellow  | A               | B    |          |
| 4        | 04CZ-6H   | 04CZ-6Y | 4.5             | 7.5  | 2,000    |
| 5        | 05CZ-6H   | 05CZ-6Y | 6.0             | 9.0  | 2,000    |
| 6        | 06CZ-6H   | 06CZ-6Y | 7.5             | 10.5 | 2,000    |
| 7        | 07CZ-6H   | 07CZ-6Y | 9.0             | 12.0 | 2,000    |
| 9        | 09CZ-6H   | 09CZ-6Y | 12.0            | 15.0 | 1,000    |
| 10       | 10CZ-6H   | 10CZ-6Y | 13.5            | 16.5 | 1,000    |
| 11       | 11CZ-6H   | 11CZ-6Y | 15.0            | 18.0 | 1,000    |
| 12       | 12CZ-6H   | 12CZ-6Y | 16.5            | 19.5 | 1,000    |
| 13       | 13CZ-6H   | 13CZ-6Y | 18.0            | 21.0 | 1,000    |
| 15       | 15CZ-6H   | 15CZ-6Y | 21.0            | 24.0 | 1,000    |
| 16       | 16CZ-6H   | 16CZ-6Y | 22.5            | 25.5 | 1,000    |
| 17       | 17CZ-6H   | 17CZ-6Y | 24.0            | 27.0 | 1,000    |
| 19       | 19CZ-6H   | 19CZ-6Y | 27.0            | 30.0 | 1,000    |
| 20       | 20CZ-6H   | 20CZ-6Y | 28.5            | 31.5 | 1,000    |

### Material and Finish

Contact: Copper alloy, tin-plated (reflow treatment) □  
Housing: Glass-filled PA 66, UL94V-0 □

### RoHS compliance

## CZH connector contact



| Model No.      | Applicable wire |       | Insulation O.D. (mm) | Q'ty/reel |
|----------------|-----------------|-------|----------------------|-----------|
|                | mm <sup>2</sup> | AWG # |                      |           |
| SCZH-002T-P0.5 | 0.08~0.13       | 28~26 | 0.8~1.1              | 13,000    |

### Material and Finish

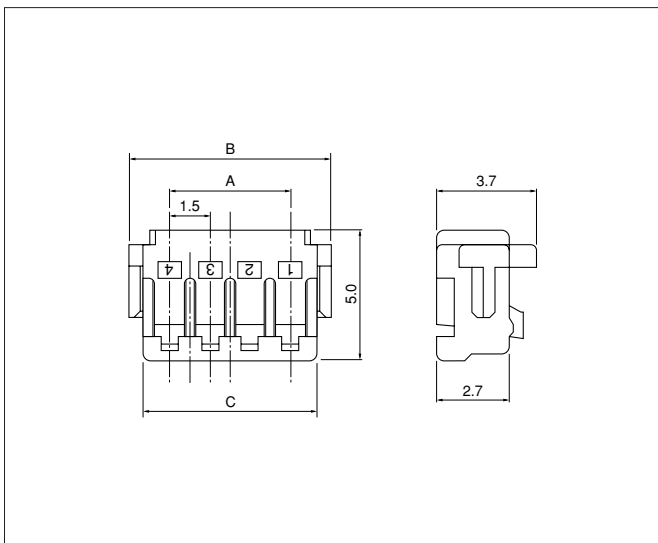
Copper alloy, tin-plated (reflow treatment)

### RoHS compliance

Note: The product listed above is not CSA approved in combination with RWZ connector. (CZH connector itself is approved.)

| Contact        | Crimping machine □ | Applicator       |                |                            |
|----------------|--------------------|------------------|----------------|----------------------------|
|                |                    | Crimp applicator | Dies           | Crimp applicator with dies |
| SCZH-002T-P0.5 | AP-K2N             | MKS-L            | MK/SCZH-002-05 | APLMK SCZH002-05           |
|                |                    | —                | —              | —                          |

## CZH connector housing



| Circuits | Model No.  | Dimensions (mm) |      |      | Q'ty / box |
|----------|------------|-----------------|------|------|------------|
|          |            | A               | B    | C    |            |
| 4        | CZHR-04V-S | 4.5             | 7.5  | 6.5  | 1,000      |
| 5        | CZHR-05V-S | 6.0             | 9.0  | 8.0  | 1,000      |
| 6        | CZHR-06V-S | 7.5             | 10.5 | 9.5  | 1,000      |
| 7        | CZHR-07V-S | 9.0             | 12.0 | 11.0 | 1,000      |
| 9        | CZHR-09V-S | 12.0            | 15.0 | 14.0 | 1,000      |
| 10       | CZHR-10V-S | 13.5            | 16.5 | 15.5 | 1,000      |
| 11       | CZHR-11V-S | 15.0            | 18.0 | 17.0 | 1,000      |
| 12       | CZHR-12V-S | 16.5            | 19.5 | 18.5 | 1,000      |
| 13       | CZHR-13V-S | 18.0            | 21.0 | 20.0 | 1,000      |
| 15       | CZHR-15V-S | 21.0            | 24.0 | 23.0 | 1,000      |
| 16       | CZHR-16V-S | 22.5            | 25.5 | 24.5 | 1,000      |
| 17       | CZHR-17V-S | 24.0            | 27.0 | 26.0 | 1,000      |
| 19       | CZHR-19V-S | 27.0            | 30.0 | 29.0 | 1,000      |
| 20       | CZHR-20V-S | 28.5            | 31.5 | 30.5 | 1,000      |

### Material

PBT, UL94V-0, natural (white)

### RoHS compliance

Note: The products listed above are not CSA approved in combination with RWZ connector. (CZH connector itself is approved.)